

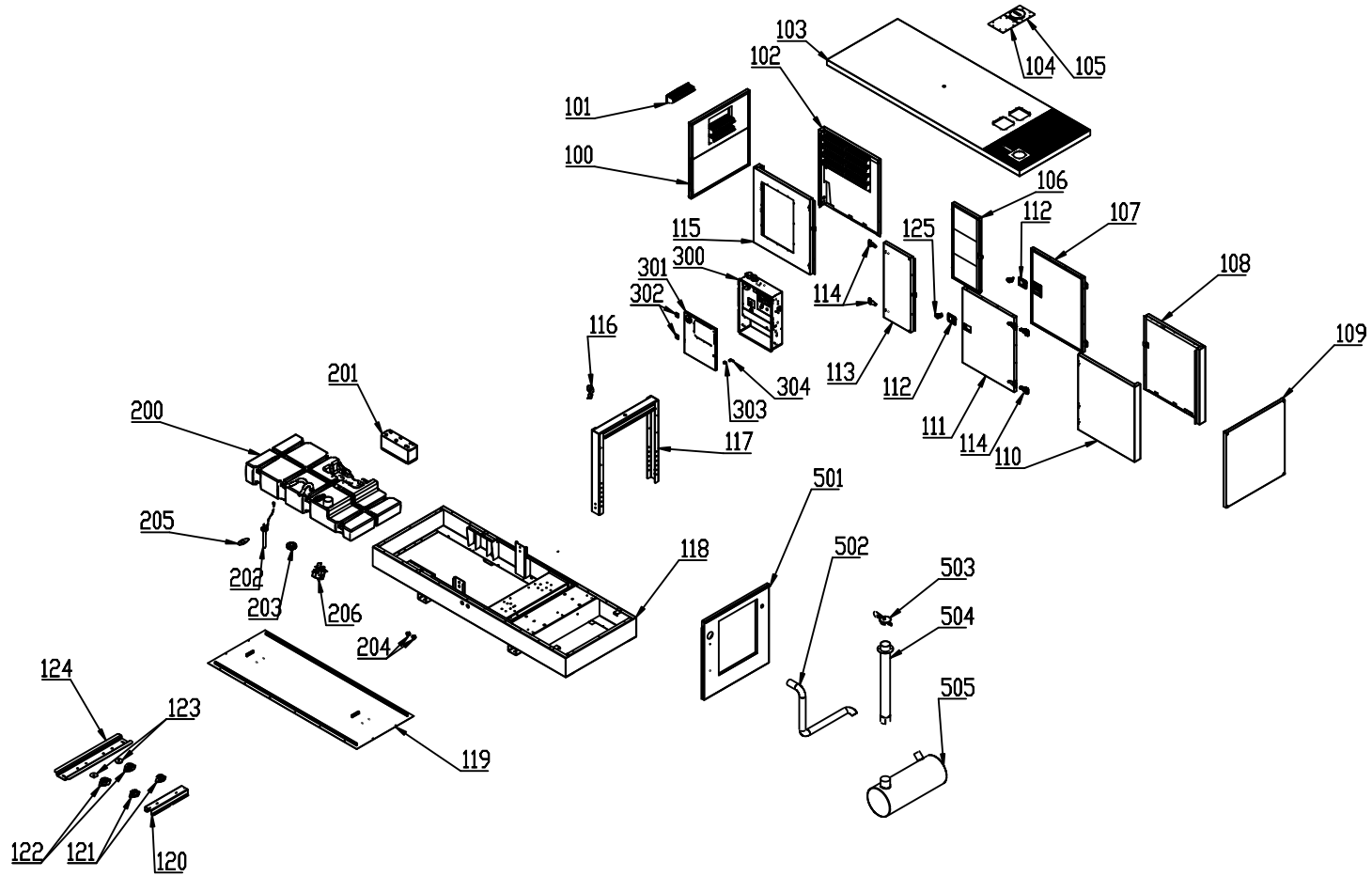
Spare Parts Catalogue

GSW220P-(ALT.M)-ACP

Generating sets

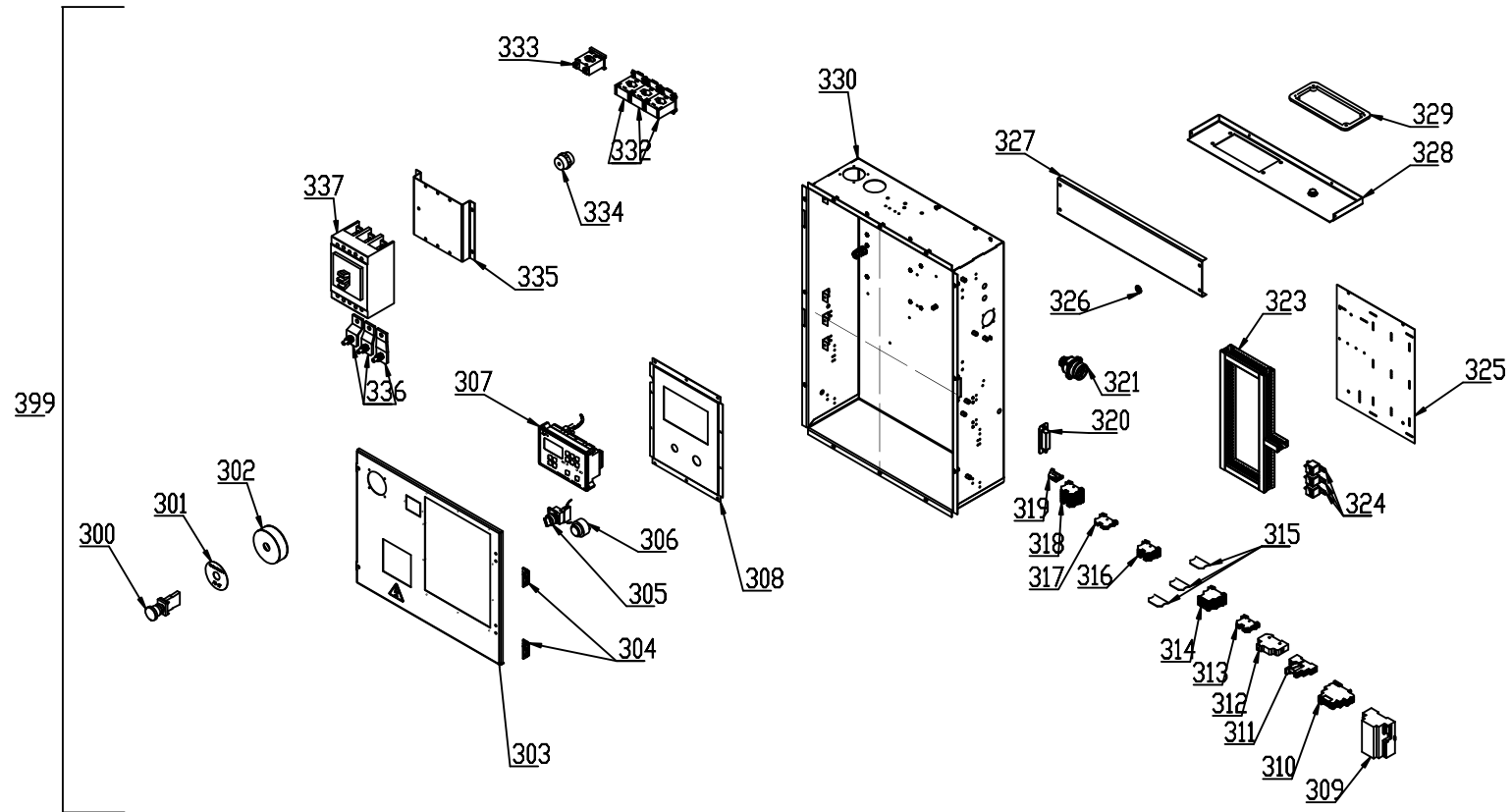
Valid for machine code: SU211TPA002

Revision: 0 (11/2016)



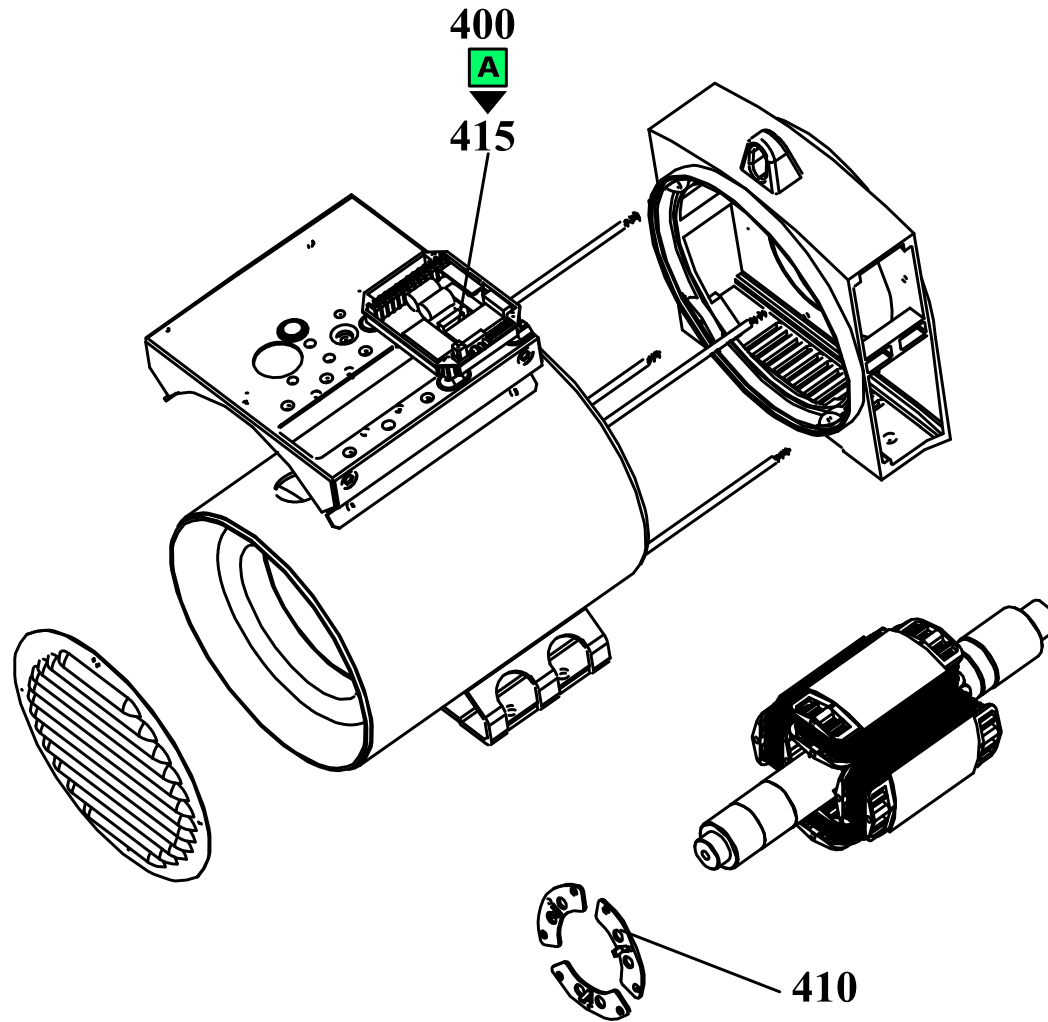
POSITION	PART NUMBER	DESCRIPTION	NOTES
100	SM5Z002075	FONDO ASPIRACION GSW145-220D 2009 (INSONORIZADO LANA ROCA 40MM - RAL PRAMACB)	
101	SM5Q000101	ASPIRATION GRILL STANDARD (PLASTIC) + STRIP SEAL	
102	SM5Z002117	LATERAL ASPIRATION PANEL TUBU-PLAST GSW110-220 (SOUNDPROOF ROCK WOOL 40MM - RAL PRAMACB)	
103	SM5Z002670	ASSEMBLY ROOF BASE FRAME ITBF SOUNDPROOF CANOPY F-F1 (PRAMACB)	
104	SM5RP10005	MOUNT KIT BLIND ROOF PLATE	
105	SM5RP10004	MOUNT KIT ROOF PLATE WITH SCREW ROUND CAP	
106	SM5Z002956	PANEL LATERAL ABATIBLE CARROCERIA F&F1-CL (FORRADO RAL PRAMACB)	
107	SM5Z002951	PUERTA CARROCERIA F&F-1-CL (FORRADA RAL PRAMACB)	
108	SM5Z002964	PANEL LAT IZQDO EXPULSION CARROCERIA E-F-CL (FORRADO RAL PRAMACB)	
109	SM5Z001254	FONDO EXPULSION GSW135-200 E/C FORRADO VERDE PRAMACB	
110	SM5Z001228	PANEL LAT EXPULSION DCHO GSW110-220 E/C FORRADO VERDE PRAMACB	
111	SM5Z002951	PUERTA CARROCERIA F&F-1-CL (FORRADA RAL PRAMACB)	
112	G058018	PLASTIC HANDLE BODY POLYAMIDE PA6 140x120 MM BRASS LATCH WITHOUT KEY	
113	SM5Z002956	PANEL LATERAL ABATIBLE CARROCERIA F&F1-CL (FORRADO RAL PRAMACB)	
115	SM5Z002961	PANEL LAT CUADRO CARROCERIA E-F-CL (FORRADO RAL PRAMACB)	
116	SM5R402027	DESCRIPTION N/A	
117	VM5E805005-9005B	PUENTE DE ELEVACION BANCADA ITBF INSONORA CANOPY F-F1	
118	VM5C700010-9005B	CONJUNTO BANCADA ITBF INSONORA CANOPY F-F1 REFORZADA (PINTADO)	
119	SM5C700019	CONJUNTO FONDO ATORNILLADO BANCADA PARA CARROCERIA F (SOLDADO)	
120	VM1953-9005B	SUPPLEMENT ENGINE CANOPY F PERKINS 1106 67MM HEIGHT (PAINTED)	
121	G052931	SILENT-BLOCK BELL BRB 110 D70 M-12	
122	G052933	SILENT-BLOCK BELL BSB 125 C60 M-12.	
123	VM5H000208-9005B	SPACER SILENT BLOCK	
124	VM1423-9005B	ALTERNATOR SUPPORT GSW210P ECO 38 2S (PAINTED)	
125	G001422	SINGLE KEY IN POLYAMIDE PA6 RED RAL3020 WITH LOGO PRAMAC	
200	SM5F400100	PLASTIC FUEL TANK 350 LITROS FOR GSW SERIES	
201	G089023	BATTERY 140 AH (code 067145607302)	
202	G080347	FUEL GAUGE FLOAT H= 270 IN12/ OUT 10mm	
203	G052224	CAP Ø113MM WHIT GASKET	
204	G052215	RUBBER CAP D=47mm H=22 mm PVC BLACK REF.12694	
205	VM2050-9005B	BLIND TAPE ON MODIFIED DEPOSITS FOR INDUCTIVE FUEL LEVEL SENSORS (PAINTED)	
206	G079930	ENGINE COOLANT HEATER 1500W/230V/MONOF. WITH CABLE 1.5	
300	SM5P140410	DESCRIPTION N/A	
301	VM5S405055-PRAMACB	PUERTA DE CUADRO ELECTRICO R2-CL (RAL PRAMACB)	
302	G040011	PLASTIC HINGE ZN-PA.001	
303	G040062	SOCKET FOR LOCK HANDLE WITH CAM 1/4 CIRCLE IN BLACK PLASTIC FOR CONTROL PANEL DOOR	

POSITION	PART NUMBER	DESCRIPTION	NOTES
304	G040061	LOCK CAM 1/4 CIRCLE CHROME ZAMAK CONTROL PANEL DOOR WITHOUT KEY	
501	SM5Z003597	SEPARADOR CANOPY F PERKINS 1106A-70TAG* (FORRADO)	
502	VM5G800021-9005O	TUBO DE INTERCAMBIO DE POSICIÓN DE ESCAPE EN GRW 160-200P PINT RAL9005O	
503	G088343	RAIN PROTECTION COVER D.120 MM	
504	VM5G514004-9005O	CHIMENEA RIGIDA SALIDA ESCAPE CON BRIDA FIJACIÓN PARA GSW135-160 E/C. PINTADA ANTICALOR NEGRO	
505	VM5G514003-9005O	MUFFLER GSW135-160. E/C. PAINTED 9005O	

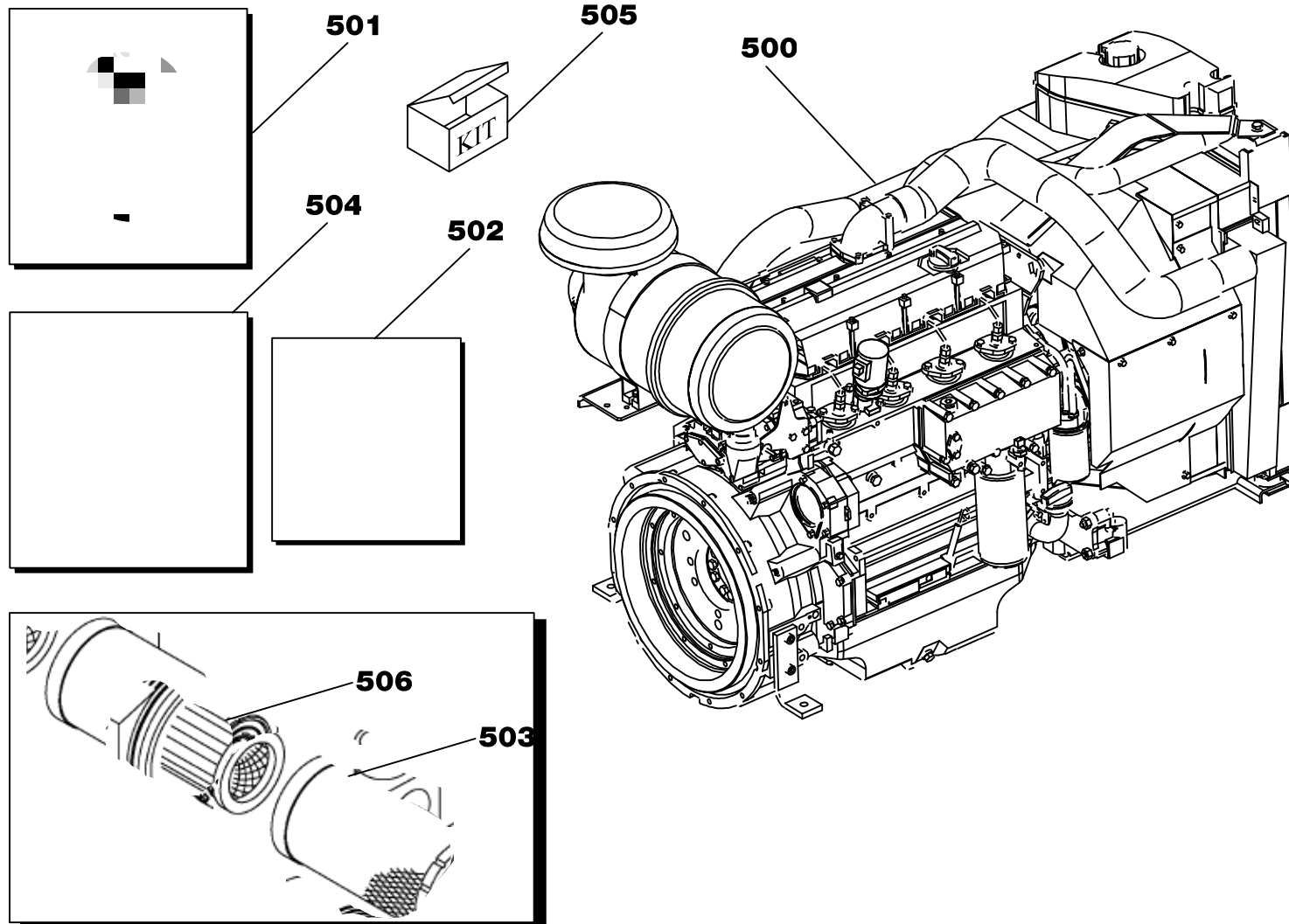


POSITION	PART NUMBER	DESCRIPTION	NOTES
300	G075150	EMERGENCY STOPZB2-BE101C (COMMON USE)	
301	G075151	EMERGENCY PLATE D.78MM ENGLISH (ref.1SFA616915R1005)	
302	VM5P140289-9005B	SEPARATOR EMERGENCY STOP UNI-R1/R2 (PAINTED)	
303	SM5P140403	UNI-R1/R2 DOOR FOR B. T5 + STUDS	
304	G040000	HINGE 40x40 M5 BLACK POLYAMIDE STAINLESS PIN	
305	G075148	SELECT. 2 POS. ROUND (P9XSMD0N)	
306	G079980	SIREN 24V.	
307	G076047	CONTROL CARD AC03 ACP CAN BUS	
308	VM1445-9005B	TAPA INTERIOR MANDO AC-03 CUADRO ELECTRICO ACP UNI-R1-R2 (PINTADO)	
309	G076823	BATTERY CHARGER REVALCO 1RAL8000 12/24VDC 180-280VAC 50-60Hz	
310	G075246	RELAY TRS 12VDC 1CO REF.1122750000	
311	G075258	RELAY 1 COMMUTATE 12V	
312	G070666	FUSE SUPPORT WSI 25/1 32A 10x38	
313	G079480	TERMINAL RK 2,5-4/35 REF.1577.2	
314	G070600	TERMINAL FUSE SUPPORT 4MM2, 6,3A, FUSIBLE 5x20	
315	G079409	COPERTURA LATERALE (AP 2,5-10 PA COD. 2001.2)	
316	G079480	TERMINAL RK 2,5-4/35 REF.1577.2	
317	G079481	FEED-THROUGH TERMINAL 2 CONNECTIONS FOR 6MM2 WIRE	
318	G079480	TERMINAL RK 2,5-4/35 REF.1577.2	
319	G079415	TERMINAL ES 35 PA COD. 2005.2	
320	G051919	REGULATION PLASTIC-PIECE FOR QUARTER TURN LOCKS	
321	G079758	CONNECTOR SET MALE 21 PINS PANEL	
323	G074707	CABLE DUCT 42 x 20 (REF. UNEX 40.20.77)	
324	G077275	RELAY NAGARES RLP 52-12D 40A 14V (+ DIODE)	
325	LM1729	SUPPORT BOARD COMPONENTS C.P.E. + UNI-R [PUNCHED]	
326	G84223	STICKER "PE" EARTH SYMBOL	
327	VM8468-9005B	FRONT SUPLEMENT PANEL OF CONTROL PANEL RENT I 1/2	
328	VM1446-9005B	LOWER TRAY CONTROL PANEL UNI-R1/R2 (PAINTED)	
329	G051507	CABLE HOUSING + RUBBER GASKET TYPE U403	
330	VM5P140401-9005B	CONTROL BOX UNI-R2 / R2 (PAINTED)	
332	G079259	INTENSITY TRANSFORMER IBP 250/5A	
333	G077753	TOROIDAL REVALCO 1/500 DIN 22MM TOR30	
334	G070520	TENSION ISOLATOR ISO 40 M.8	
335	GM1751	SUPPORT UNI-R1/R2 INT. T5 [BENT]	
336	G079764	TERMINALS EF INT. T5 3P REF. 1SDA055036R1	
337	G075930	CIRCUIT BREAKER 400A 3P TMAX T5N400	

POSITION	PART NUMBER	DESCRIPTION	NOTES
399	SM5P499059	CUADRO ACP (AC-03) UNI-R2 320A 3P III CONEX. Y 50/60Hz 12V	



POSITION	PART NUMBER	DESCRIPTION	NOTES
400	AMX200FTT000Y	ALTERNATOR ECO38 2S 200/115/230/400/50-60/12M - FORM MD35 - SAE2 - JOINT 11 ½ - MECC-ALTE	
410	G70284	ROTATING BRIDGE T30	
415	G70629	ELECTR. GOVERNOR UVR6	



POSITION	PART NUMBER	DESCRIPTION	NOTES
500	EPW1960CTMEZ	Engine Perkins 1106A-70TAG4 Water_1500_Electr_Sae2-11" ½_12Vdc_Tier.0_Ver/Sp:PR82216	
501	PEP00545	New code PEP00143	
502	PEP00144	PRE FILTER	
503	PEP00140	AIR FILTER	
504	PEP00546	FILTER	
505	P3KI00317	KIT 500H GSW165P-220P ENGINE 1106A-70TAG	
506	PEP00544	AIR FILTER	