



Service  
& Parts

# Spare Parts Catalogue

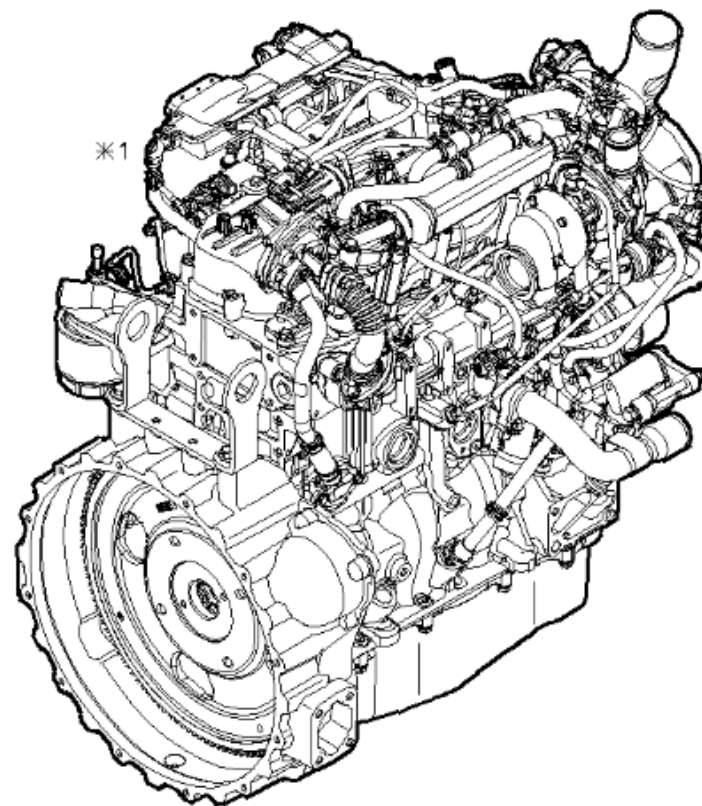
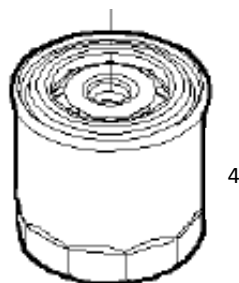
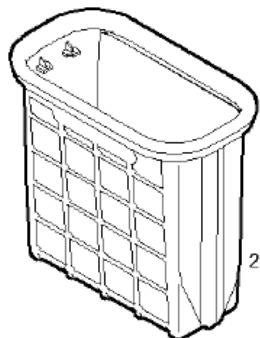
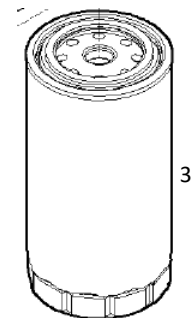
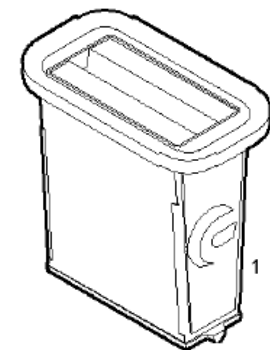
**GPW60I/FS5 (ALT. M) (ACP GCB2)  
+ARM9+BAT+ERK+ETB+GDH+GSB+LPT+MBS+PFT+SPB2+TWF+WSP**  
Power Generator | Generating sets

Valid for machine code: **BP600TCAY0J**

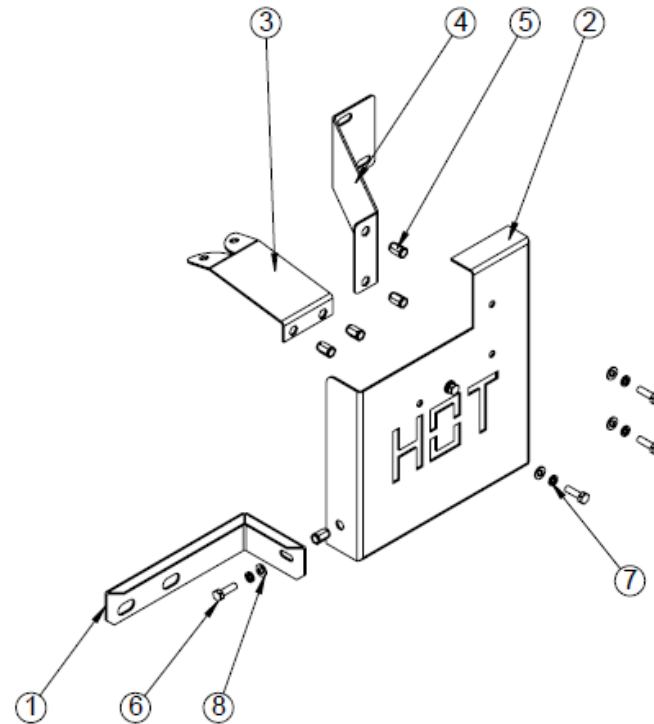
Revision: **0**



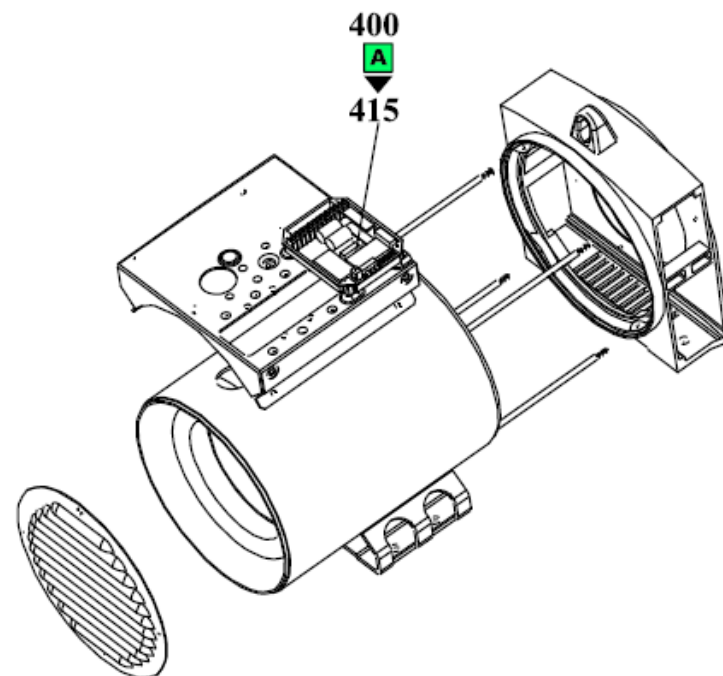
<b>Numbering</b>	<b>Reference</b>
0-99	<b>Engine &amp; Engine's Options</b> (additional sensors, heavy duty filters, hot part protection...)
100-169	<b>Alternator &amp; Alternator's Options</b> (additional sensors, special screws for coupling...)
170-199	<b>Elastic Coupling</b> (if provided...)
200-299	<b>Remote Radiator or Heat Exchanger</b> (if provided...)
300-399	<b>Baseframe &amp; All Support</b> (baseframe, rack, crossbar, electrical panel support, radiator support, engine support, alternator support, fuel tank, silent block, special screws for radiator fixing)
400-499	<b>Control Panel &amp; Power Panel</b> (power cables kit, power cable protection, engine wirings)
500-599	<b>Canopy or Container</b> (canopy accessories, engine compartment separator, emergency button, emergency lights, fire extinguishers, additional soundproofing sheet...)
600-699	<b>Exhaust</b> (muffler, gaskets, piping kit,...)
700-799	<b>Battery and Drainage Kit</b> (battery support and cables, engine oil drainage kit, radiator drainage kit, gasoline piping kit...)
800-899	<b>Testing and Shipping Materials</b> ( engine oil, gasoline, antifreeze liquid for radiator, water, warranty, manual, stickers, cover sheet...)
>1000	<b>Optionals</b> (PHS, LDS, ALS, WSP, AFP, ...)



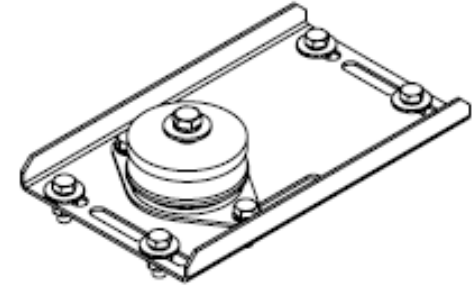
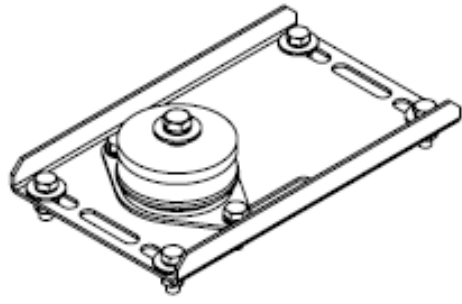
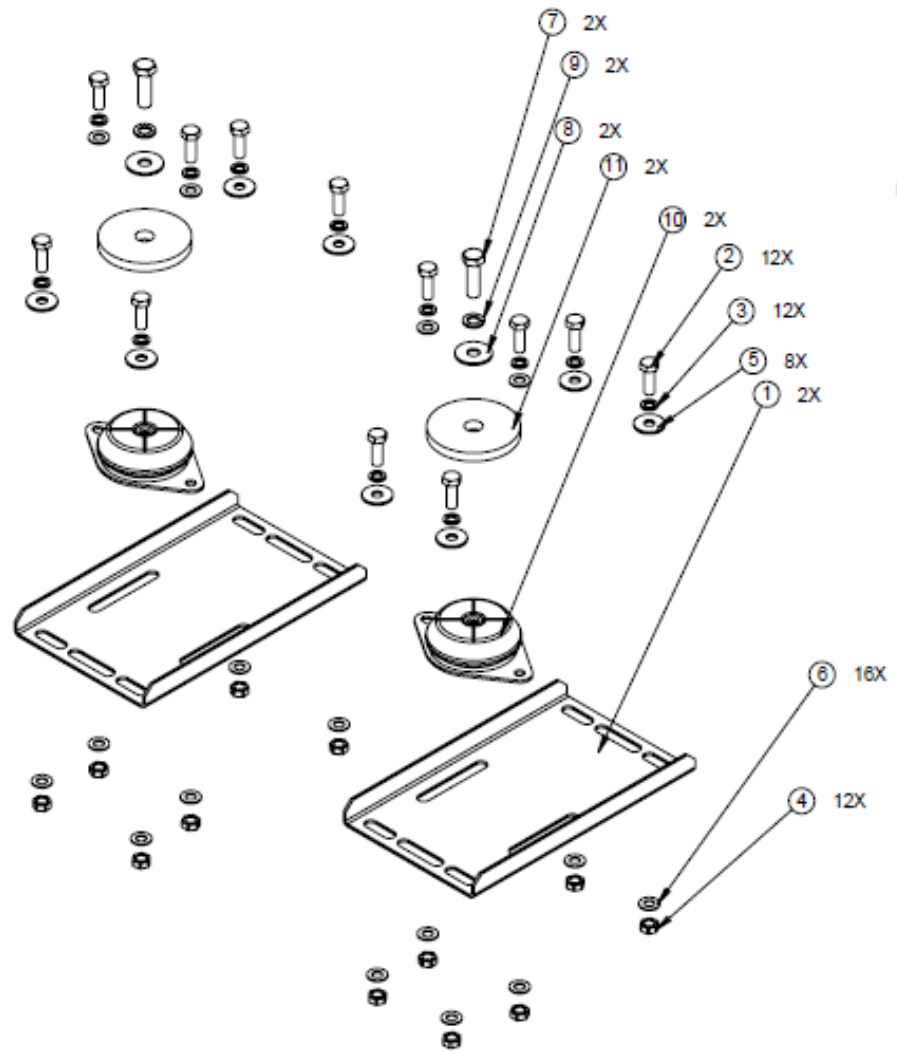
Position	Part Number	Description	Note
	ECW750CUJWZ	Engine FPT F34TEVP01.00 Water_1500/1800_Electr_Sae3-11"½_12Vdc_Stage V_Ver/Sp:5802846253:	
1	PEC5802951598	Air Filter Primary	1
2	PEC5802951599	Air Filter Secondary	2
3	PEC5801693493	SPIN-ON FILTER	3
4	PEC5802431041	Cart Oil filter	4



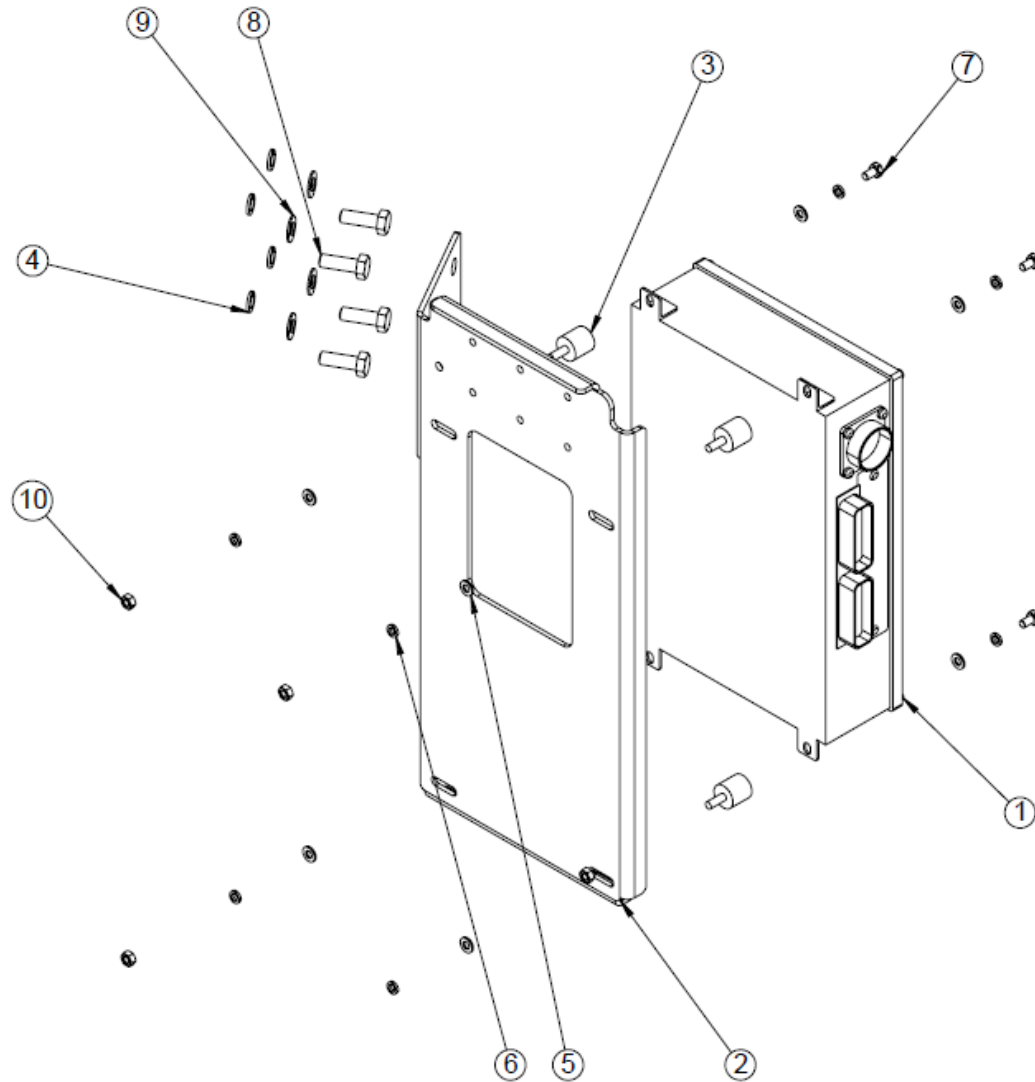
Position	Part Number	Description	Note
1	NYB005227	HOT PARTS SUPORT FPT F34	
2	NYB001233	HOT PARTS PROTECTION KIT FPT F34 STAGE V (BENT)	
3	NYB001232	HOT PARTS PROTECTION SUPPORT KIT FPT F34 STAGE V (BENT)	
4	NYB001234	HOT PARTS PROTECTION KIT FIXING FPT F34 STAGE V (BENT)	
5	G040213	M6 female thread hexagonal stub	
6	G020249	HEXAGONAL SCREW. 8.8 DIN 933 M6X20 INOX	
7	G041306	GROWER WASHER 1751-A6 ZN	
8	G041903	G041903.SLDPR	



Position	Part Number	Description	Note
400	AMX63FUT000T	ALTERNATOR ECP32 2M4 C 68,8/115/230/400/50-60/1500/1800/12M - FORM MD35 - SAE 3 - JOINT 11"½ - MECC-ALTE	
415	PAM00017	DIGITAL GOVERNOR DSR	

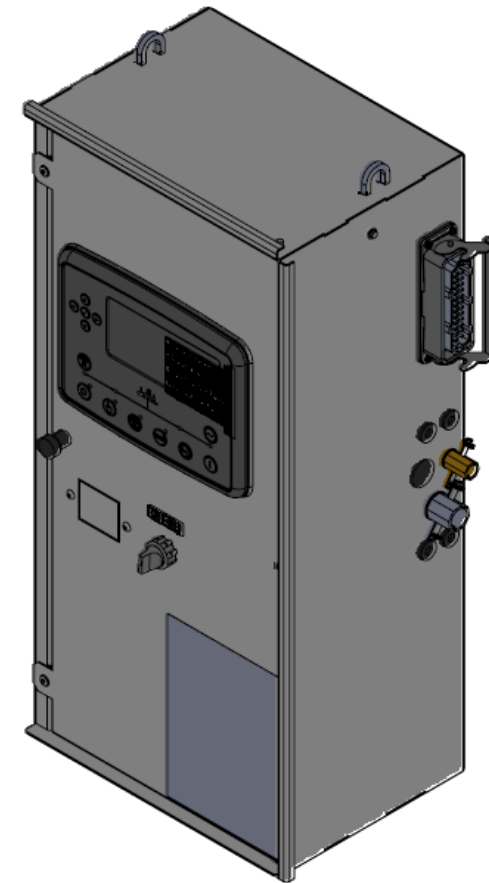
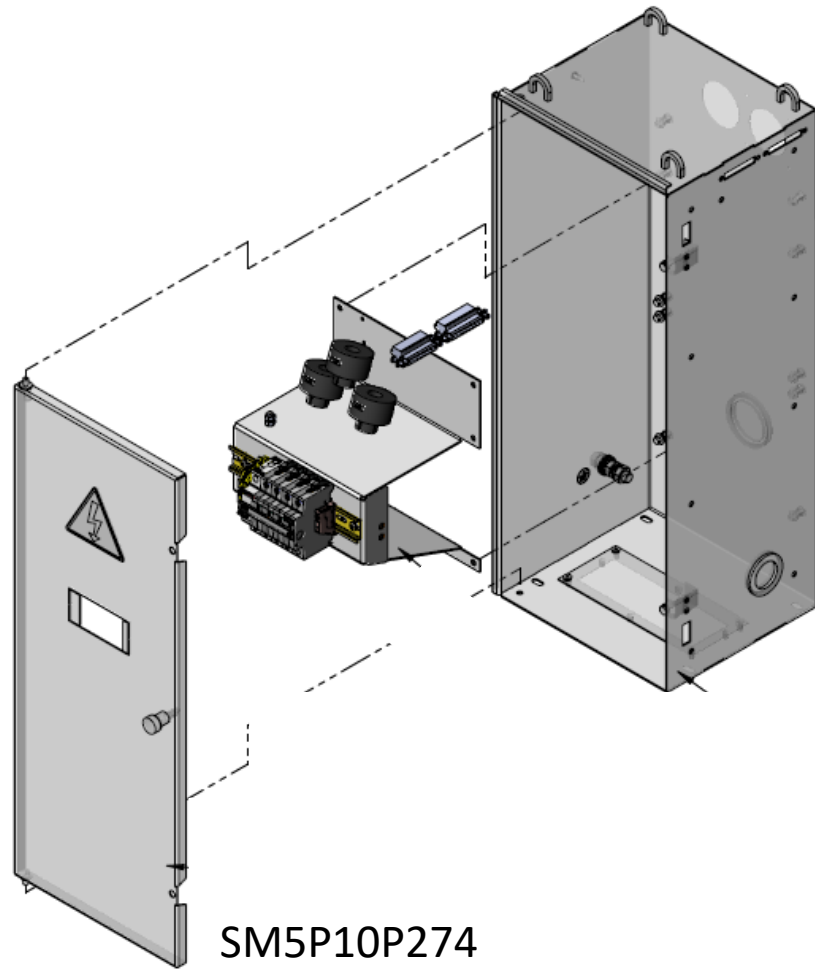


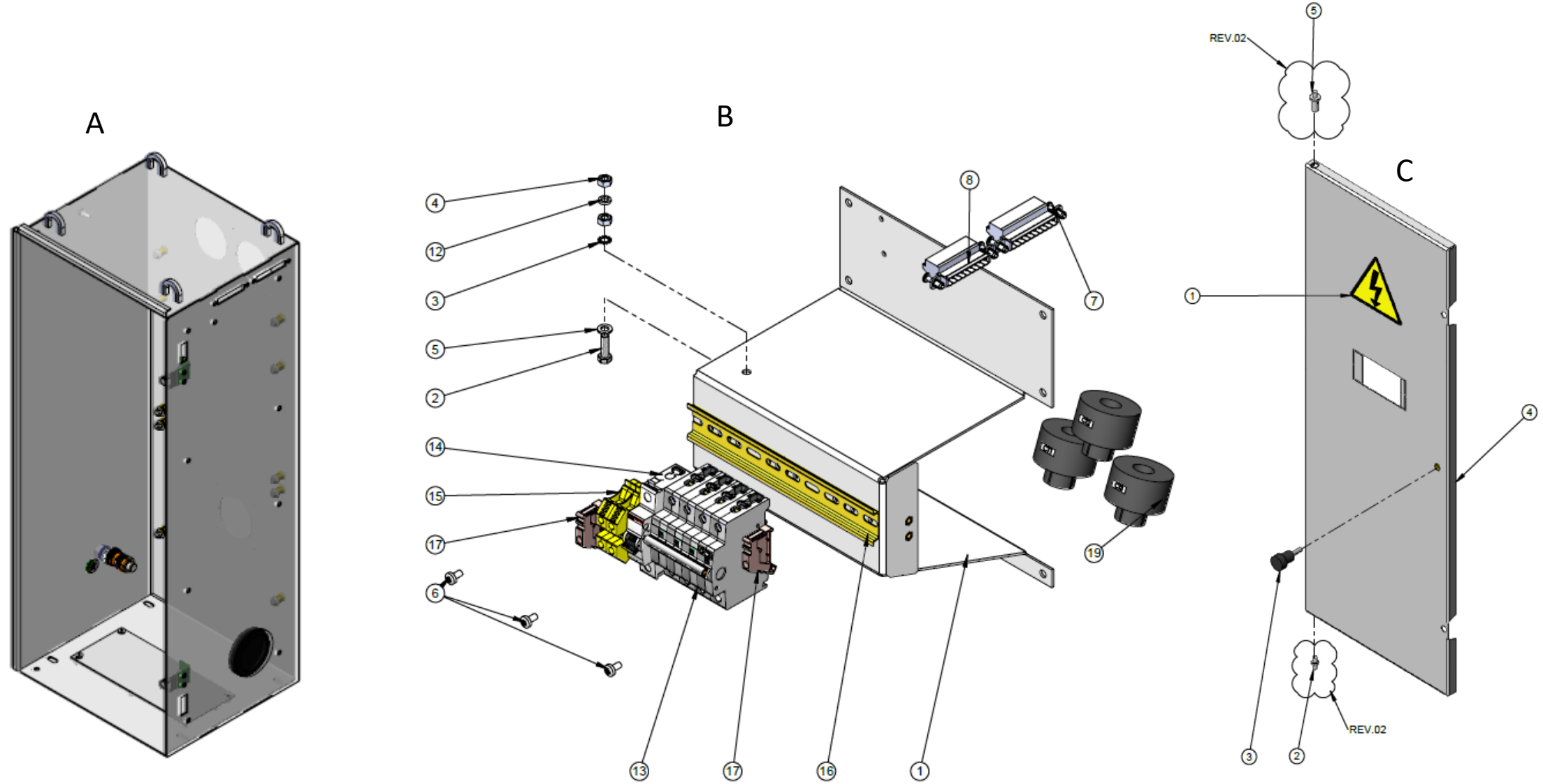
Position	Part Number	Description	Note
1	NVB000058-9005B	SOPORTE MOTO-ALTERNADOR H=3 (PINTADO)	
2	G022023	VITE TE 5739 65 8.8 M10x30 ZN	
3	G041310	GROWER WASHER 1751-A8 ZN	
4	G032110	8.8 DIN 934 M10 ZN HEX NUT	
5	G041510	ROSETTA GREMBIALINA 6593 D 10X30 ZN (DIN 9021)	
6	G041210	FLAT WASHER DIN 125 M10X20X2	
7	G022020	VITE TE 5739 65 8.8 M12x40 ZN (DIN 933)	
8	G041830	Washer 12.5x36x2.5 ZN	
9	G041106	GROWER WASHER DIN 127 M12	
10	G052932	SILENT-BLOCK CAMPANA BSB 95 C60 M-12	
11	VM5H000208-9005B	ELEVATIO DISC SILENT-BLOCK CON M16, D=90mm H=10mm PAINTED	





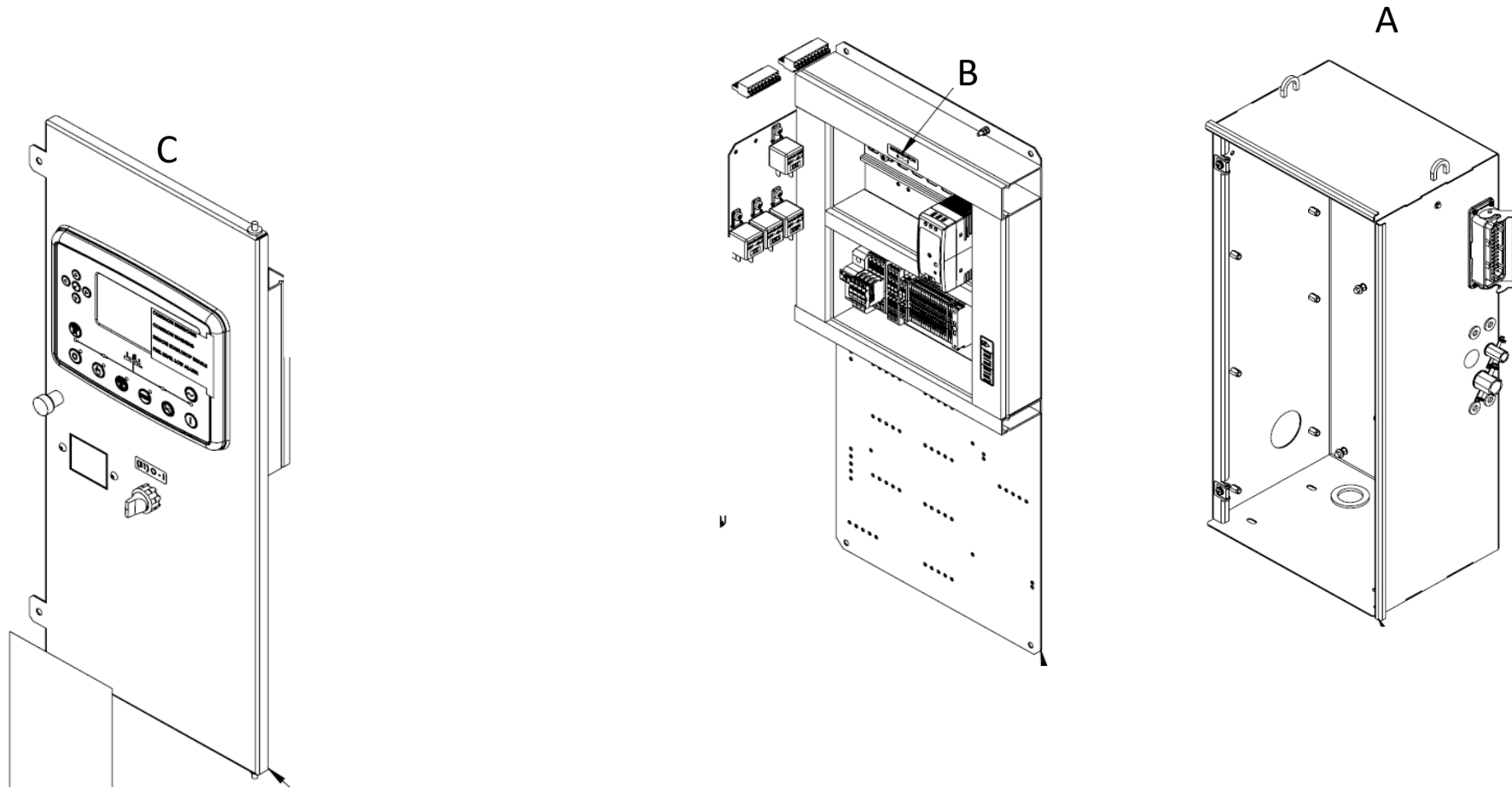
Position	Part Number	Description	Note
1	FPT_F34TE 1PV_INTER FACE BOX2	FPT_F34TE1PV_INTERFACE BOX	
2	NYB005153	SUPPORT BOX ENGINE FPT F34 B10	
3	G052828	SILENT BLOCK CIL. MH 20x20 M6x16 55SH (REF. 0862800010)	
4	G041310	GROWER WASHER 1751-A8 ZN	
5	G041903	ROSETTA PIANA 6592 6.4x12.5 ZN	
6	G041306	GROWER WASHER 1751-A6 ZN	
7	G020228	HEX. BOLT 8.8 DIN 933 M6X10	
8	G022023	VITE TE 5739 65 8.8 M10x30 ZN	
9	G041210	FLAT WASHER DIN 125 M10X20X2	
10	G032106	HEX. 8.8 NUT DIN 934 M6 ZN	





# 400-499 /CONTROL PANEL & POWER PANEL- SM5P10P274 CUADRO DE POTENCIA P20 - 80A 4P +GCB2 (ENSAMBLADO)

Position	Part Number	Description	Note
<b>A</b>	<b>SM5P10P211</b>	<b>POWER BOX P2B (ASSEMBLED)</b>	
<b>B</b>	<b>SM5P00P202</b>	<b>FRONTAL DE POTENCIA P20 - INT. MODULAR S200 3/4P - GDW/GPW PANELS (ENSAMBLADO)</b>	
1	G007610	PEGATINA "PELIGRO - RIESGO ELECTRICO" 100x100mm	
2	G040087	PASADOR DE ROTACION INFERIOR MESAN 32003192	
3	G051965	TIRADOR PUERTA 25x25 M6x20 ESSENTA Ref.466360	
4	SM5P00P203	FRONTAL DE POTENCIA P20 - INT. MODULAR S200 3/4P - GDW/GPW PANELS (PINTADO + REMACHADO)	
5	G040088	BISAGRA OCULTA MESAN 089	
<b>C</b>	<b>SM5P10P271</b>	<b>KIT DE POTENCIA P20 - 80A 4P +GCB2</b>	
1	SM5P00P201	SOPORTE TERMICO P20 - INT. MODULAR (PLEGADO + REMACHADO)	
2	G020358	TORNILLO HEX. 8.8 DIN 933 M6X20 ZN	
3	G041613	ARANDELA ABANICO DIN 6798 M6	
4	G032106	TUERCA HEX. 8.8 DIN 934 M6 ZN	
5	G041903	PLAIN WASHER	
6	G021805	TORNILLO AUTO ROSCADO DIN 7500 M5x10 (DIN 7500-C)	
7	G07A349	CONECTOR SLF 5.08/10/180DF SN OR BX [REF. 1353680000]	
8	G07A350	CONECTOR SLF 5.08/09/180DF SN OR BX [REF. 1353670000]	
9	SM5Q001274	MARCADOR CUADRO ELECTRICO SOBRE COMPONENTE: "CT1"	
10	SM5Q001280	MARCADOR CUADRO ELECTRICO SOBRE COMPONENTE: "CT2"	
11	SM5Q001750	MARCADOR CUADRO ELECTRICO SOBRE COMPONENTE: "CT3"	
12	G041306	ROSETTA GROWER 1751-A6 ZN	
13	G073657	INTERRUPTOR AUT. ABB 80A 4P S204-B80 CURVA B - 6Ka BB REF. 2CDS254001R0805	
14	G075950	BOBINA DE DISPARO ABB S200 12-60V AC/DC MODELO S2C-A1L REF.2CDS200907R0001	
15	G07B228	BORNE WPE 16N [REF. 1019100000]	
16	SM5Q001130	CARRIL DIN 35 MM SIMETRICO PERFORADO - CORTADO [210 mm]	
17	G079415	TOPE BORNA ES 35 PA COD. 2005.2	
18	SM5Q001450	MARCADOR CUADRO ELECTRICO SOBRE COMPONENTE: "GCB"	
19	G070764	TRANSFORMADOR DE CORRIENTE CTA 09 120/5A, Cl.1 - 1,5VA (24160-120)	

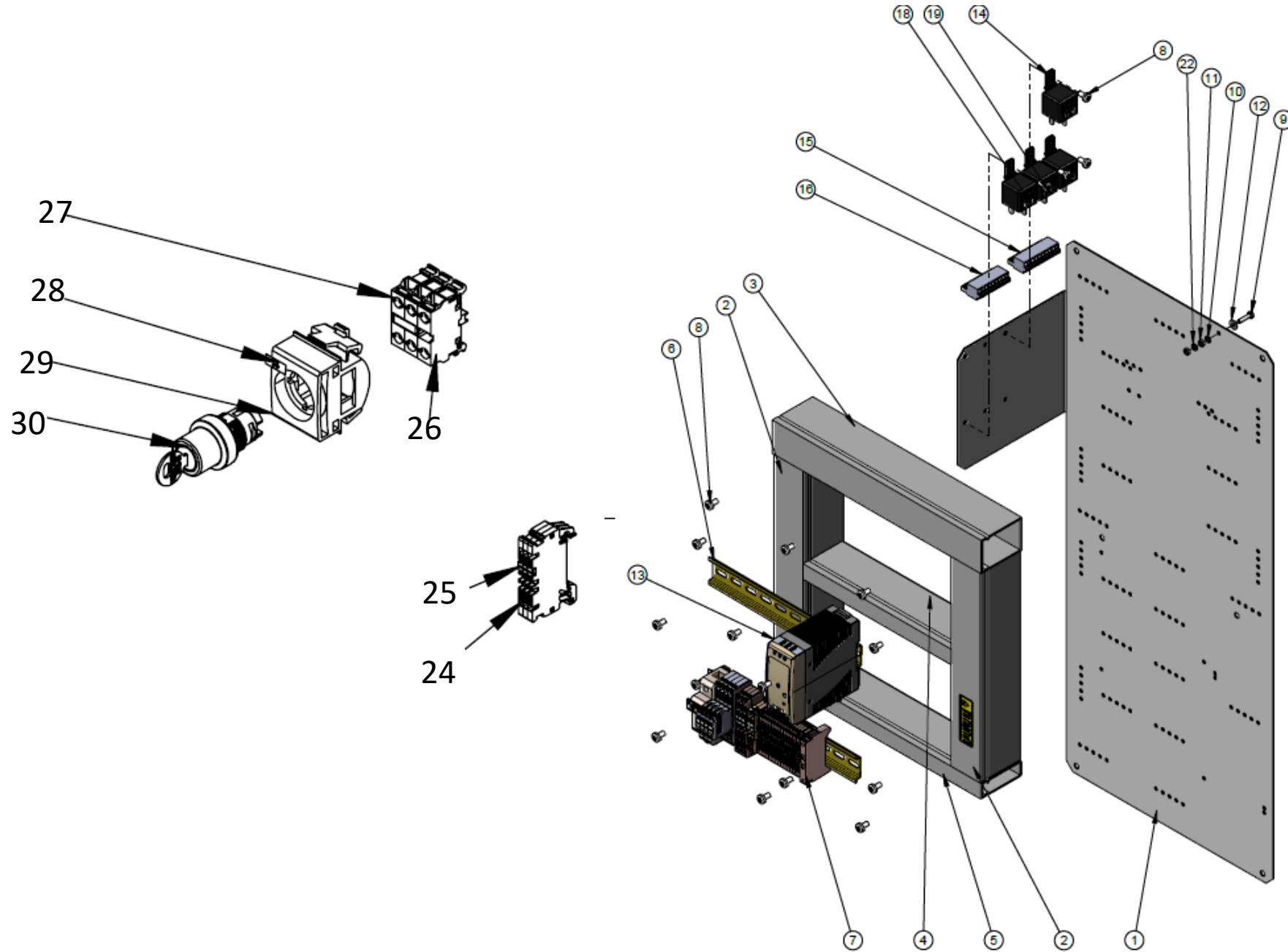


Position	Part Number	Description	Note
A	SM5P10C231	C20 CONTROL BOX (ASSEMBLED) - REV.B	
B	SM5P10C222	CONTROL MOUNTING PLATE C20 (DSE7320 MKII) (ASSEMBLED) - STANDARD CONTROL	
C	SM5P10C225	C20 CONTROL FRONTAL (DSE7320 MKII) (ASSEMBLED) - REV.B	



**400-499 /CONTROL PANEL & POWER PANEL- SM5P4PC221 CUADRO CONTROL C20 (DSE7320 MKII)  
(ENSAMBLADO) - CONTROL STANDARD +S5-F34**

Position	Part Number	Description	Note
<b>A</b>	<b>SM5P10C231</b>	<b>C20 CONTROL BOX (ASSEMBLED) - REV.B</b>	
1	SM5P10C230	C20 CONTROL BOX (PAINTED + RIVETED) - REV.B	
2	G077996	BASE CONECTOR INDUSTRIAL IP65 24 POLOS [REF. 1213900000]	
3	G077994	CLAVIJA MACHO CONECTOR INDUSTRIAL 24 POLOS 16A 500V CONEXIÓN TORNILLO [REF. 1211100000]	
4	G023612	SCREW DIN 7985 M4X16 ZN	
5	G041108	GROWER WASHER B4 ZN DIN127	
6	G032302	NUT M4 CL8 ZN ISO4032	
7	G020803	HC FLANGED SCREW M6x16 8.8 ZN DIN6921	
8	G070278	BLACK RACORD PG9 DN 13/10 MADE OF NYLON ACCORDING TO BS EN 50086 / UL94	
9	G070282	BLACK HEXAGONAL LOCKNUT PG9 MADE OF NYLON	
10	G071633	PASACABLE GOMA PG9 NEGRO CON MEMBRANA TPE C/MEM. 15.5mm [REF. 5853PF01M]	
11	G070274	BLACK RACORD PG16 DN 21/17 MADE OF NYLON ACCORDING TO BS EN 50086 / UL94	
12	G070283	BLACK HEXAGONAL LOCKNUT PG16 MADE OF NYLON	
13	G020363	SETSCREW HEX HD M4 X 16 PRECISION BS3692 (GRADE 8.8)	
14	G041422	WASHER NORM M4 FORM A (HEAVY) ZINC PLATE & PASSIVATE	
15	G041853	WASHER LOCK SERRATED EXT M4 STEEL ZINC PLATE/PASSIVATE	
16	G071632	PASACABLE GOMA PG36 NEGRO CON MEMBRANA TPE C/MEM. 47mm [REF. 5859PF01M]	
17	G07B050	BASE PARA MONTAJE LATERAL EN PINZA SOUTHCO [REF. D8-336-300-121]	
18	G07B051	VASTAGO 1/4 VUELTA SOUTHCO [REF. D8-316-214-190]	
19	G041903	flat washer 6592 6.4x12.5 ZN (DIN 125-A)	
20	G041319	ARANDELA SEGURIDAD -M6- [REF.D8-326-101-200]	
21	G07B052	TOPE PARA CHAPA 2mm, GOMA NEGRA [REF. ROVALCAUCHO ROV-828]	
22	G052208	PG16 BLIND RUBBER PLUG	



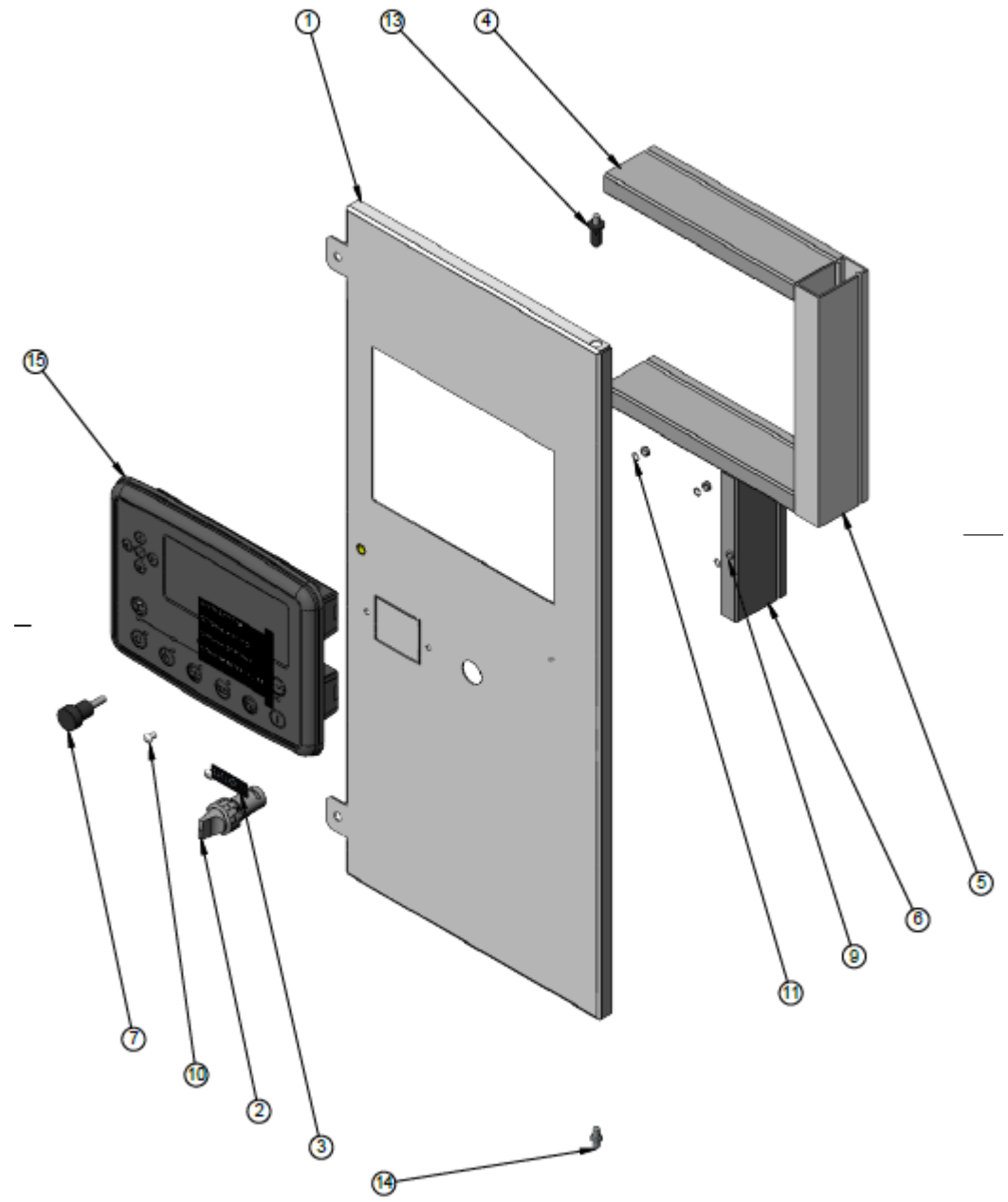


**400-499 /CONTROL PANEL & POWER PANEL- SM5P4PC221 CUADRO CONTROL C20 (DSE7320 MKII)  
(ENSAMBLADO) - CONTROL STANDARD +S5-F34**

Position	Part Number	Description	Note
<b>B</b>	<b>SM5P10C222</b>	<b>CONTROL MOUNTING PLATE C20 (DSE7320 MKII) (ASSEMBLED) - STANDARD CONTROL</b>	
1	GM12037	PLACA DE MONTAJE DE CONTROL C20 (DSE7320 MKII) (PLEGADO) - REV.B	
2	SM5Q000796	CANALETA 60.40.77 - CORTADA [270 mm]	
3	SM5Q000804	CANALETA 60.40.77 - CORTADA [310 mm]	
4	SM5Q001524	CANALETA 60.20.77 - CORTADA [220 mm]	
5	SM5Q001542	CANALETA 60.20.77 - CORTADA [310 mm]	
6	SM5Q001132	CARRIL DIN 35 MM SIMETRICO PERFORADO - CORTADO [220 mm]	
7	SM5P009030	BORNERO CONTROL ACP-DSE7320 MKII C18/C20/C21 - GDW/GPW PANELS	
8	G021805	TORNILLO AUTO ROSCADO DIN 7500 M5x10 (DIN 7500-C)	
9	G020363	TORNILLO HEX. 8.8 DIN 933 M4X16 ZN	
10	G041853	ROSETTA DENTATURA SOVRAPPOSTA UNI3703 EXT. FORMA - A - M4 ZN (DIN 6797)	
11	G032302	DADO NORMALE 5588 65 CL8 M4 ZN (DIN 934)	
12	G041422	ARANDELA PLANA DIN 125 M4 ZN	
13	G07A025	CARGADOR DE BATERIA CRETECH 12V/5A [REF.BPR0512S]	
14	G077275	RELE NAGARES RLP 52-12D 40A 14V ( + DIODO )	
15	G07A351	CONECTOR BLF 5.08HC/10/180 SN OR BX [REF. 1013770000]	
16	G07A352	CONECTOR BLF 5.08HC/09/180 SN OR BX [REF. 1013760000]	
17	SM5Q001252	MARCADOR CUADRO ELECTRICO SOBRE COMPONENTE: "U1"	
18	SM5Q001253	MARCADOR CUADRO ELECTRICO SOBRE COMPONENTE: "KST"	
19	SM5Q001254	MARCADOR CUADRO ELECTRICO SOBRE COMPONENTE: "KSO"	
20	SM5Q001273	MARCADOR CUADRO ELECTRICO SOBRE COMPONENTE: "KGP"	
21	SM5Q001752	MARCADOR CUADRO ELECTRICO SOBRE COMPONENTE: "KBT"	
22	G041108	ROSETTA GROWER 1751-D4 ZN	
23	G00C150	PEGATINA ATENCION CONEXION DE LTS - DEEP SEA	

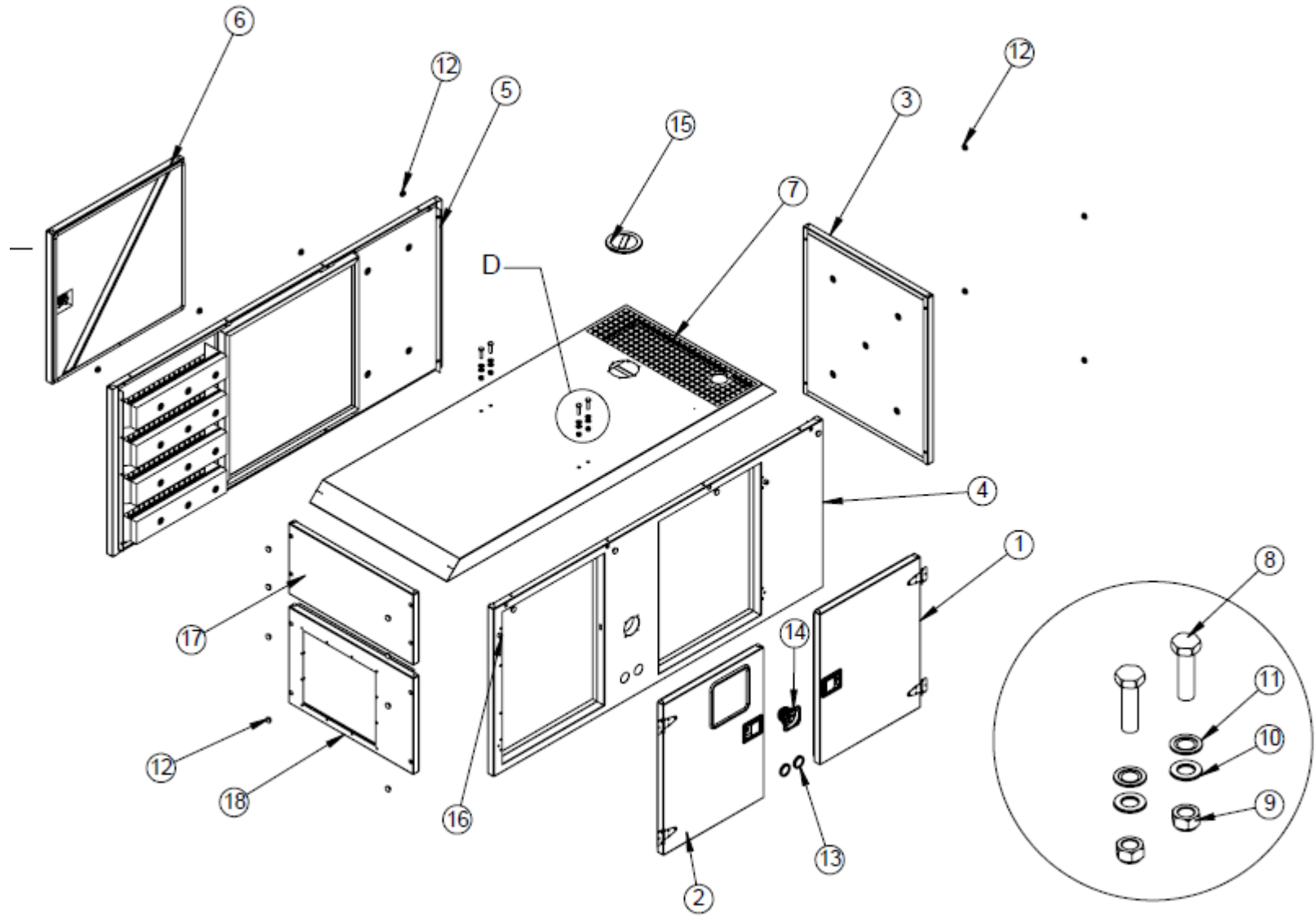
**400-499 /CONTROL PANEL & POWER PANEL- SM5P4PC221 CUADRO CONTROL C20 (DSE7320 MKII)  
(ENSAMBLADO) - CONTROL STANDARD +S5-F34**

Position	Part Number	Description	Note
24	G073453	TERMINAL A2C 1.5 [REF. 1552790000] 3 0.00	
25	G072335	TERMINAL BLOCK MARKER - WEIDMULLER 5x3,5 mm (REF. DEK 5/3.5 MC NE WS - 500 un. BOX)	
26	G073482	1xNO CONTACT FOR MODULAR PILOT DEVICES ON DIN RAIL MCB-10B [REF. ABB 1SFA611610R2001	
27	G07D063	CONTACT 2XNC FOR RAIL MCB-02B [REF. ABB 1SFA611610R2020]	
28	G072333	ELECTRIC DEVICE MARKER - 15x6 mm (REF. LM MT300 15/6 WS)	
29	G073484	DIN RAIL ADAPTER FOR MODULAR PILOT DEVICES MA1- 8131 [REF. ABB 1SFA611920R8131	
30	G07B487	KEY MODULAR SELECTOR SWITCH (455) 3 POS. M3SSK4- 101 [REF. 1SFA611286R1001	



**400-499 /CONTROL PANEL & POWER PANEL- SM5P4PC221 CUADRO CONTROL C20 (DSE7320 MKII)  
(ENSAMBLADO) - CONTROL STANDARD +S5-F34**

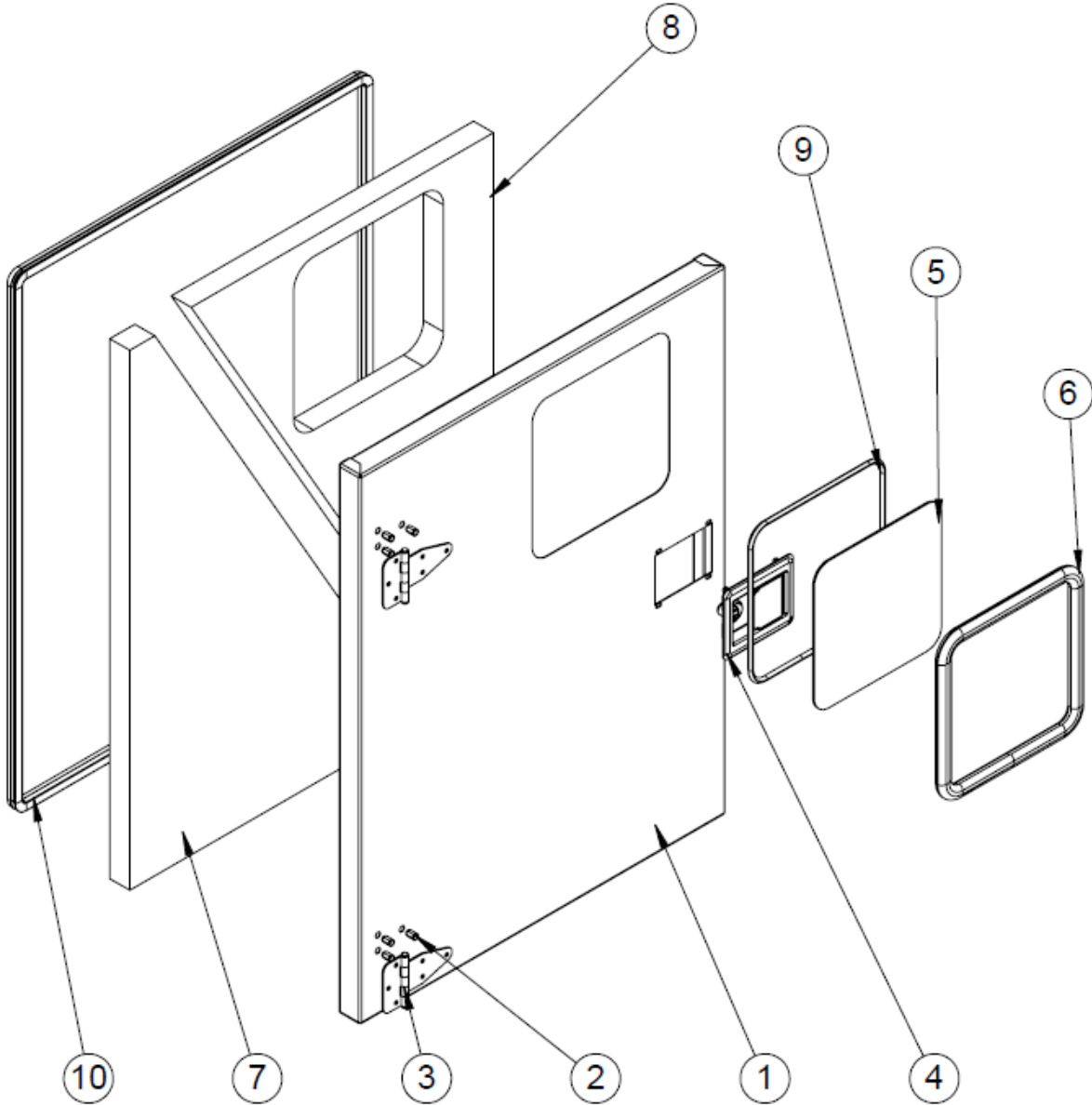
Position	Part Number	Description	Note
<b>C</b>	<b>SM5P10C225</b>	<b>FRONTAL DE CONTROL C20 (DSE7320 MKII) (ENSAMBLADO) - REV.B</b>	
1	SM5P10C224	C20 CONTROL FRONTAL (DSE7320 MKII / DSE86x0 MKII) (PAINTED + RIVETED) - REV.B	
2	G075134	2 POS. MANT.BC 2NA C2SS1-10B-20 (REF. ABB 1SFA619200R1026) SELECTOR	
3	SM5Q001300	ELECTRIC PANEL MARKER ON FRONT: "(S1) 0 - I"	
4	SM5Q001526	CABLE TRUNKING 60.20.77 - CUT [230mm]	
5	SM5Q000678	CABLE TRUNKING 60.30.77 - CUT [240 mm]	
6	SM5Q001510	CABLE TRUNKING 60.20.77 - CUT [150mm]	
7	G051965	PUSH/PULL KNOB 25x25 M6x20 ESSENTRA Ref.466360	
8	G041853	WASHER LOCK SERRATED EXT M4 STEEL ZINC PLATE/PASSIVATE	
9	G032302	STANDARD NUT 5588 65 CL8 M4 ZN (DIN 934)	
10	G025918	ALLEN SCREW, ISO7380, FORM A, M5x8, ZN	
11	G041103	DIN 127 M5 GROWER WASHER	
12	G032313	. 8.8 DIN 934 M5 ZN HEX. NUT	
13	G040088	HIDDEN HINGE MESAN 089	
14	G040087	LOWER ROTATION PIN MESAN 32003192	
15	G076963	CONTROLLER DSE7320 MKII	
16	G00B817	STICKER ALARMS CONTROL UNIT DEEPSEA + CPS3853	



DETAIL D  
SCALE 1 : 5

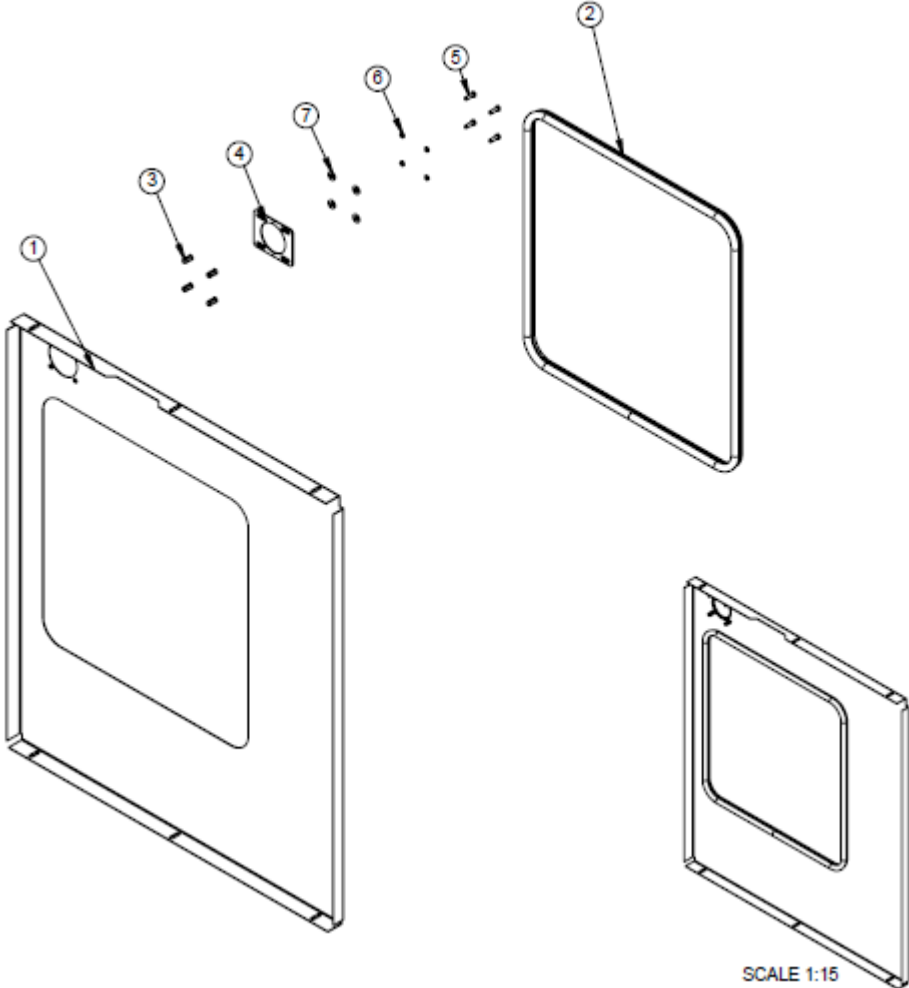
Position	Part Number	Description	Note
1	NQC000523	DOOR ASSEMBLY CANOPY B10 (RAL9016 SMOOTH)	
2	NQC000524*	DOOR C.E. CANOPY B10 (RAL9016 SMOOTH)	
3	NQC000526	PANEL EXPULSION SIDE CANOPY B10 (RAL9016 SMOOTH)	
4	NQC000527	PANEL RIGHT LATERAL SIDE CANOPY B10 (RAL9016 SMOOTH)	
5	NQC000528	PANEL LEFT LATERAL SIDE CANOPY B10 (RAL9016 SMOOTH)	
6	NQC000529	DOOR ASPIRATION SIDE CANOPY B10 (RAL9016 SMOOTH)	
7	NQC000766	ASSEMBLY ROOF B10 F34TE1PV (RAL 9016)	
8	G022091	SCREWS HEX. M14X50 CLASS 8.8 ZN (DIN 933)	
9	G034314	TUERCA AUTOBL. DIN 985 M14 ZN	
10	G041215	Flat washer 6592 15x28	
11	G096212	RUBBER-METAL WASHER M14	
12	G051508	HOLE PLUG D=22 REF.16236	
13	G052211	RUBBER GROMMET WITH MEMBRANE PG48 TPE C/MEM. 59mm	
14	G076509	3501 SERIES FULL BUTTON EMERGENCY 1 CONTACT	
15	G051153	PLASTIC CAP De 189 Di 148 HC2 ACCESS HATCH WITH O RING	
16	G052906	SILENTBLOCK 24x14 NR75 (Ref.PTC2414XH)	
17	NQC000532	PANEL ASPIRATION SIDE UPPER FOR SOCKET KIT CANOPY B10 (RAL9016 SMOOTH)	
18	NQC000531	PANEL ASPIRATION SIDE DOWN FOR SOCKET KIT CANOPY B10 (RAL9016 SMOOTH)	

\* Check respective exploded view



Position	Part Number	Description	Note
1	NVW000003-9016	ELECTRIC BOX DOOR B10 (PAINTED SMOOTH FINISHING)	
2	G040213	Inserto filettato M6 fusto esagonale	
3	G040037	HINGE INOX 137x85 MM HERCOR	
4	G058018	PADDLE LATCH WITH KEY 140x120	
5	NQQ000090	VENTANA PUERTA CUADRO 255x255 Ra.30 (POLICARBONATO)	
6	SM5Q000107	GOMA PARA FIJACION METACRILATO TAMAÑO 255X255 (G091317)	
7	NQQ000158	FONO 2 PUERTA B10	
8	NQQ000159	FONO 1 PUERTA CUADRO B10	
9	SM5Q000108	JUNQUILLO PARA GOMA (Code G091001).	
10	SM5Q000106	PERFIL ARMADO DE GOMA (ASSOTECH ref. 001.001332) G091220 - L=3250	



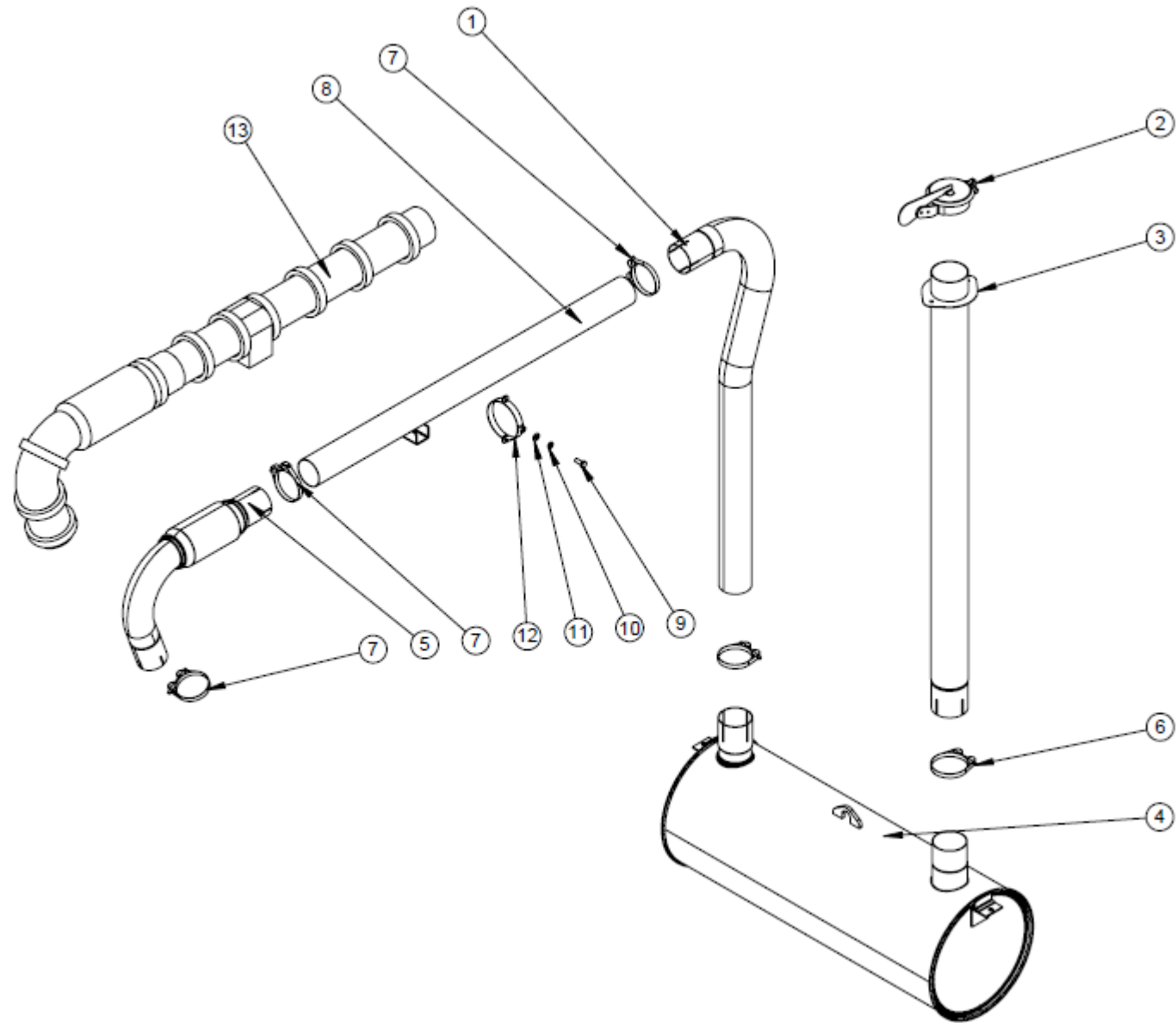


SCALE 1:15

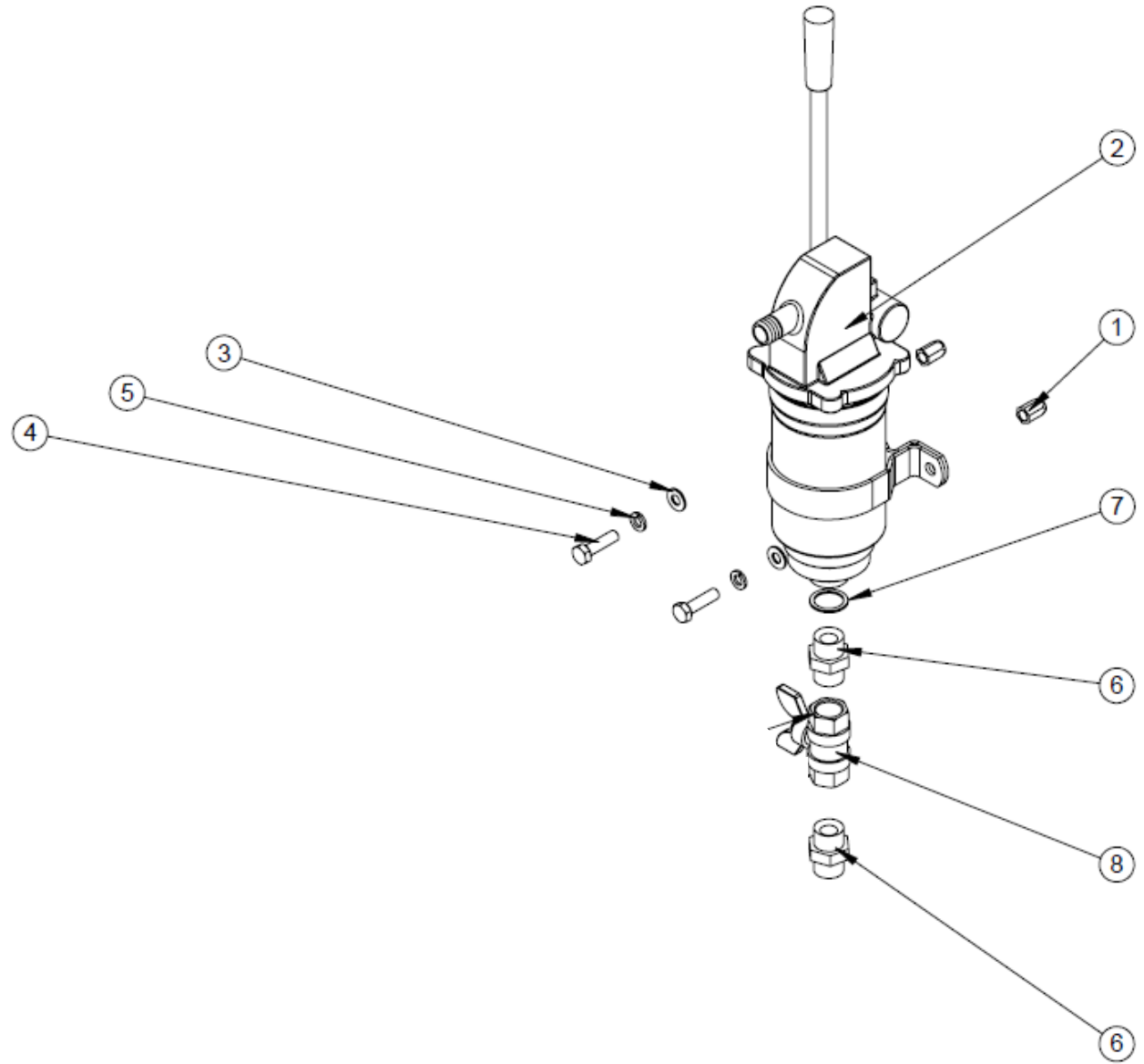


Position	Part Number	Description	Note
1	NYB002349	SEPARATOR ENGINE F34TE1PV CANOPY B10 V3 ENGINE (BENT)	
2	NQQ000716	PROFILE RUBBER SHIELD G091201 L=2315 mm	
3	G040127	RIVET BLIND HEX SHORT HEAD NUT M.6	
4	nyp000271	HALF MOON FOR EXHAUST PIPE IN SEPARATOR DIA. 70mm	
5	G020249	HEXAGONAL SCREW. 8.8 DIN 933 M6X20 INOX	
6	G041306	GROWER WASHER 1751-A6 ZN	
7	G041445	FLAT WASHER DIN 9021 M6	

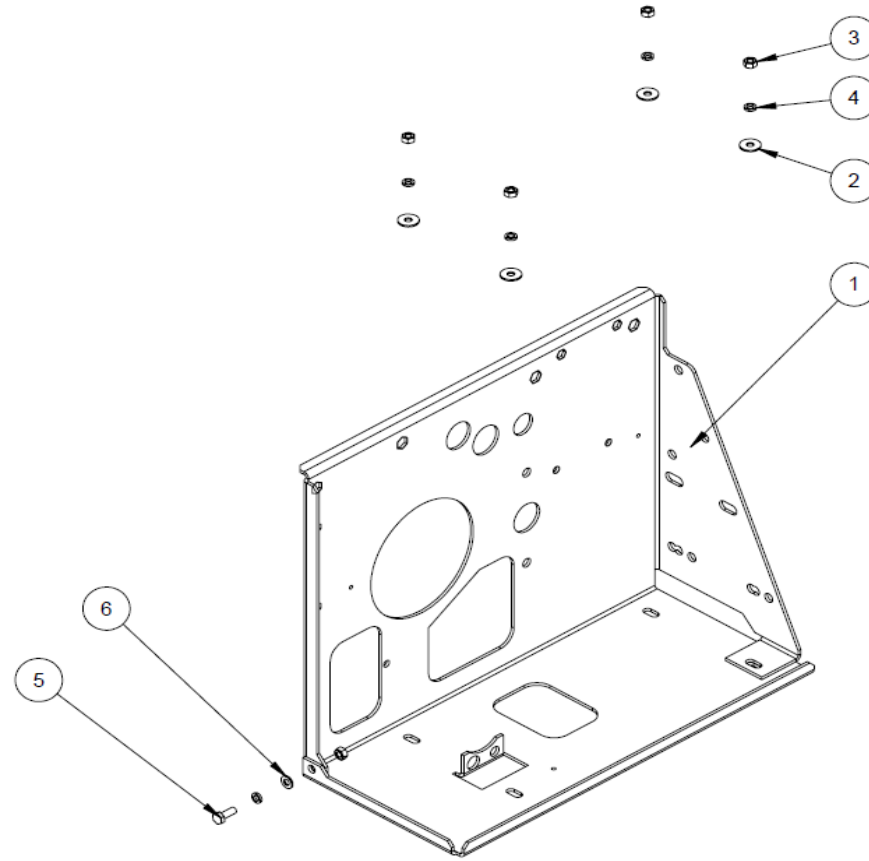




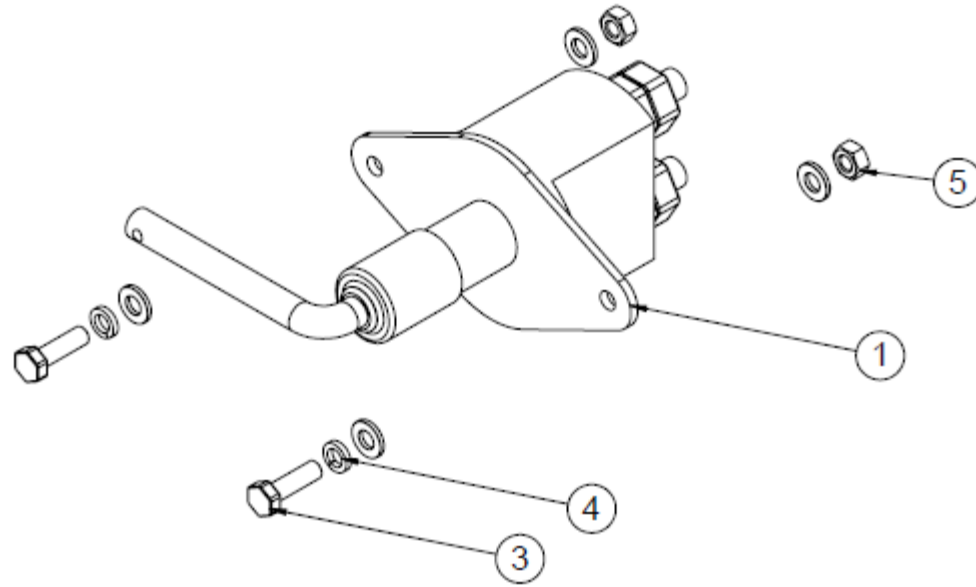
Position	Part Number	Description	Note
1	NVA000381	PIPE INLET MUFFLER IVECO F34TE1PV CANOPY B10 REF. MTS 01.03239	
2	G088336	SILENCED RAIN CAP D 80MM (REF. ECP0000080)	
3	SM5G890001	CHIMNEY OUTLET B10 MTS REF. 01.02706	
4	NQA000052	SILENCIOSO CARROCERIA B10 vers.15dba	
5	NVA000380	MANIFOLD GPW B10 IVECO F34TE1PV REF. MTS 01.03238	
6	G049149	CLAMP SUPER 73-79mm W2	
7	G049138	SUPRA CLAMP 68-73 MM W2	
8	NVA000382	MANIFOLD OUTLET PIPE IVECO F34TE1PV (B10) REF. MTS 01.03241	
9	G022011	VITE TE 5739 65 8.8 M8X20 ZN	
10	G041308	ROSETTA GROWER 1751-A8 ZN	
11	G041208	ROSETTA PIANA M8	
12	G049262	DRAIN CLAMP M8 D90MM (REF. WURTH 0545 90)	
13	NQA001327	KIT THERMAL MANIFOLD JACKET IVECO F34TE1PV (B10)	



Position	Part Number	Description	Note
1	G040219	M8 FEMALE THREADED HEXAGONAL STUB	
2	G088401	MANUAL PUMP CAPACITIVE' 60L/MIN	
3	G041208	WASHER M8	
4	G020215	SCREW TE 5739 65 8.8 M8x30	
5	G041308	GROWER 1751-A8 ZN	
6	G084272	MACHON 1/2"-1/2" CONICO	
7	G041444	COPPER FALT WASER 21X27MM	
8	G085011	BALL TAP 1/2"BSP F/F BV90-12 (RED HANDLE) REF. 3037 04	

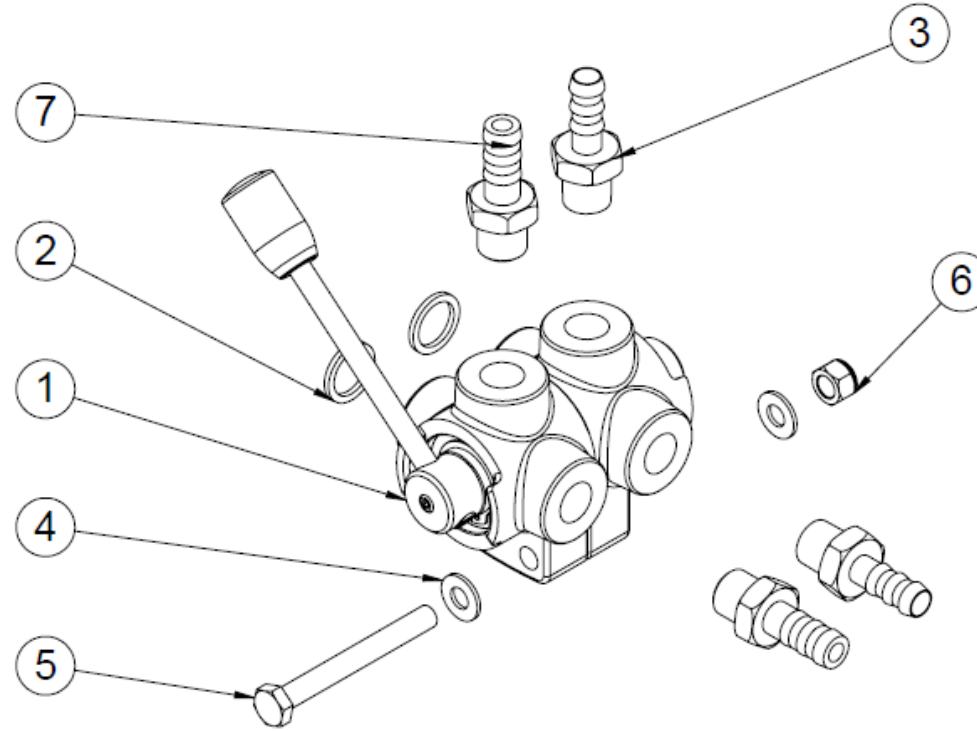


Position	Part Number	Description	Note
1	NVB005263-9005B	BRACKET KIT OPTIONS A18/B10 V2 Stage V (PAINT)	
2	G041445	FLAT WASHER DIN 9021 M6	
3	G032106	HEX. 8.8 NUT DIN 934 M6 ZN	
4	G041306	GROWER WASHER 1751-A6 ZN	
5	G020311	8.8 DIN 933 M6X16 ZN HEX. BOLT	
6	G041903	FLAT WASHER 6592 6.4x12.5 ZN (DIN 125-A)	

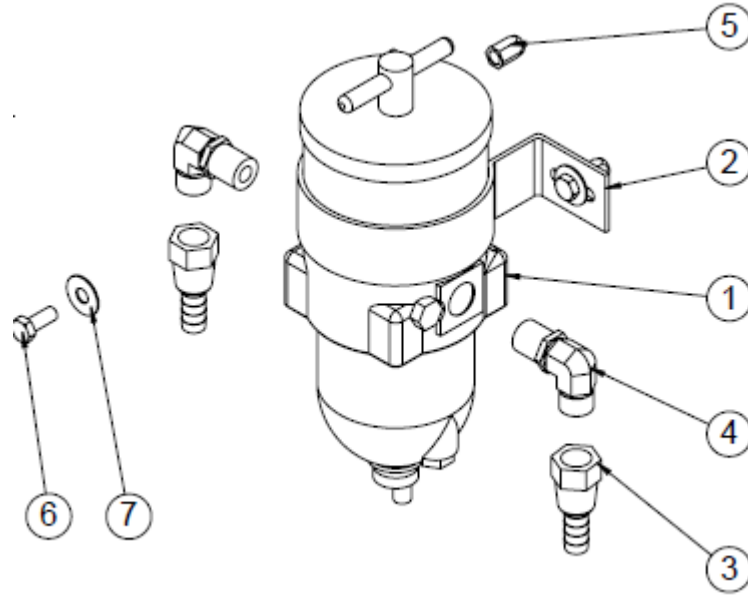


Position	Part Number	Description	Note
1	G075323	CUT OF BATTERIES	
2	G041903	FLAT WASHER 6592 6.4x12.5 ZN	
3	G020249	HEXAGONAL SCREW. 8.8 DIN 933 M6X20 INOX	
4	G041306	GROWER WASHER 1751-A6 ZN	
5	G032106	HEX. 8.8 NUT DIN 934 M6 ZN	

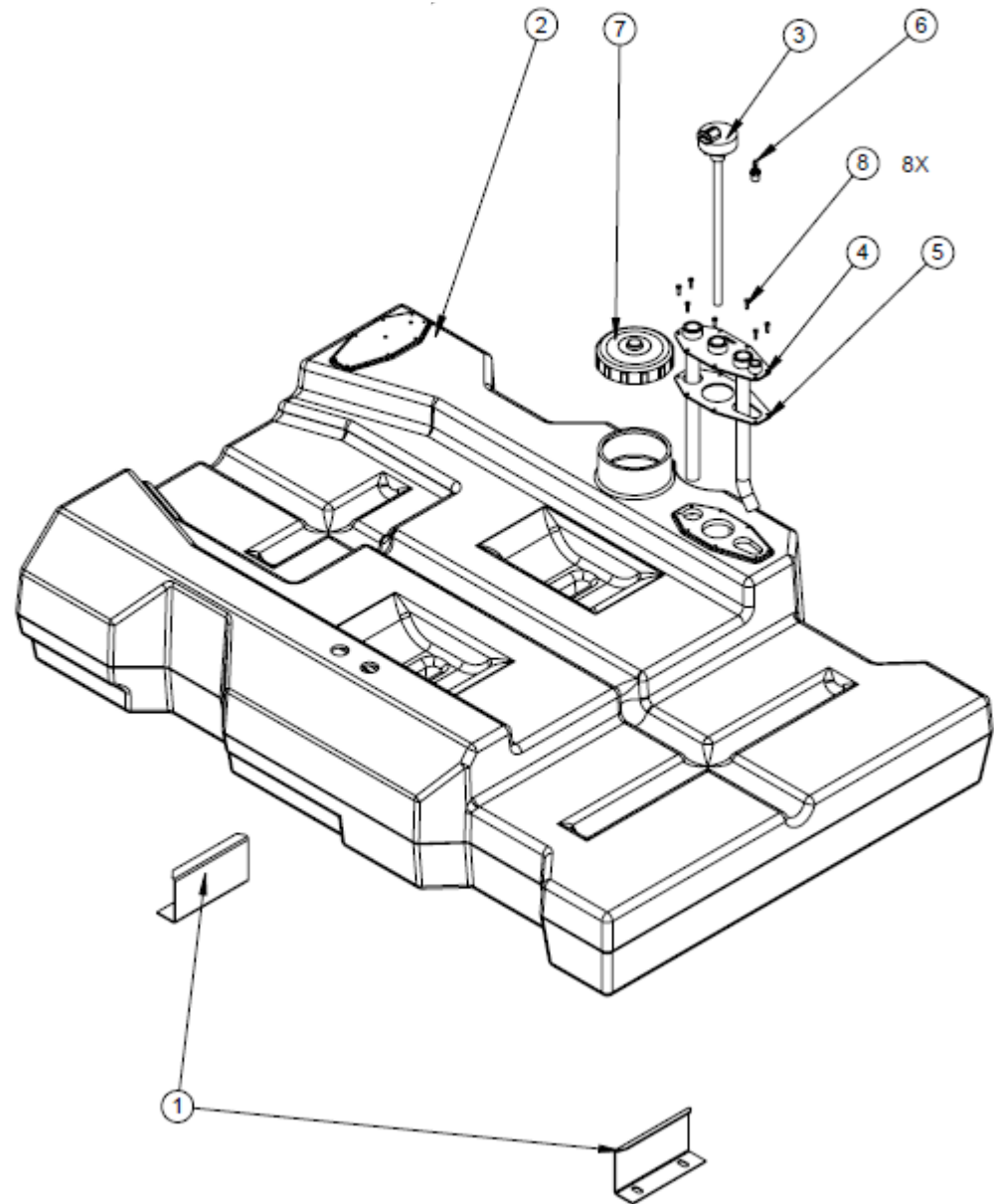




Position	Part Number	Description	Note
1	G085072	VALVE 6 WAYS STEEL 3/8" FEMALE	
2	G096403	COPPER WASHER 3/8" BSP	
3	G083824	ADAPTER SPIKE MALE 3/8" GAS FOR HOSE ID10	
4	G041208	WASHER FLAT M8	
5	G020380	HEX. SCREW 8.8 DIN 931 M8X70 ZN	
6	G034308	SCREW AUTOBL. 7473 M8 ZN	
7	G080133	3/8 "BSP NIPPLE FITTING WITH 12mm HOSE O-RING	



Position	Part Number	Description	Note
1	G080672_a	FUEL FILTER PARKER 500FG10 FILTERING ELEMENT WITH 10 microns.	
2	G080672_b	CLAMP FUEL FILTER PARKER 500FG10 FILTERING ELEMENT WITH 10 microns.	
3	G083802	ADAPTER SPIKE - FEMALE HG SAE R1 R2 R.3/4" CONIC JOING A D12 (1/2") - NICKEL BRASS	
4	G083808	RACOR ADAPTER ELBOW 90° ORIENTABLE MALE MF SAE 3/4" FLAT JOIN WITH RING TO MALE MF	
5	G040219	M8 FEMALE THREADED HEXAGONAL STUB	
6	G022011	SCREW 5739 65 8.8 M8X20 ZN	
7	G041413	GROWER GREMB. 6593 9x24 ZN	



Position	Part Number	Description	Note
1	NVB000367-9005B	PROFILE FIXATION FOR FUEL TANK 209L. B10 (PAINT	
2	NQF000009	PLASTIC FUEL TANK 209L 8PFT GDW-GPW	
3	SV70015934	LEVEL CONTROL Capacitive MOD. FOZMULA T / LL 130 - 285 mm LENGTH SENSOR 0-180 OHM - SWITCH WITH MINIMUM LEVEL	
4	SV70015941	MOUNTING PLATE FOR FOZMULA FUEL LEVEL CONTROL FOR PLASTIC TANK WITH 8 HOLES WITH THREADED CONN. + INTAKE. HOSE + L =268	
5	G080738	JOINT 3MM FOR PLATE CAPACITIVE FUEL SENDER	
6	G084516	RACOR ESPIGA 1/4" MACHO A Ø6 – LATON NIQUELADO	
7	G051512	CAP Ø113MM WITH GASKET AND VENTILATION	
8	G051972	SCREW FOR PLASTIC W1452 10,9 (A3K) 3,5X14mm	