

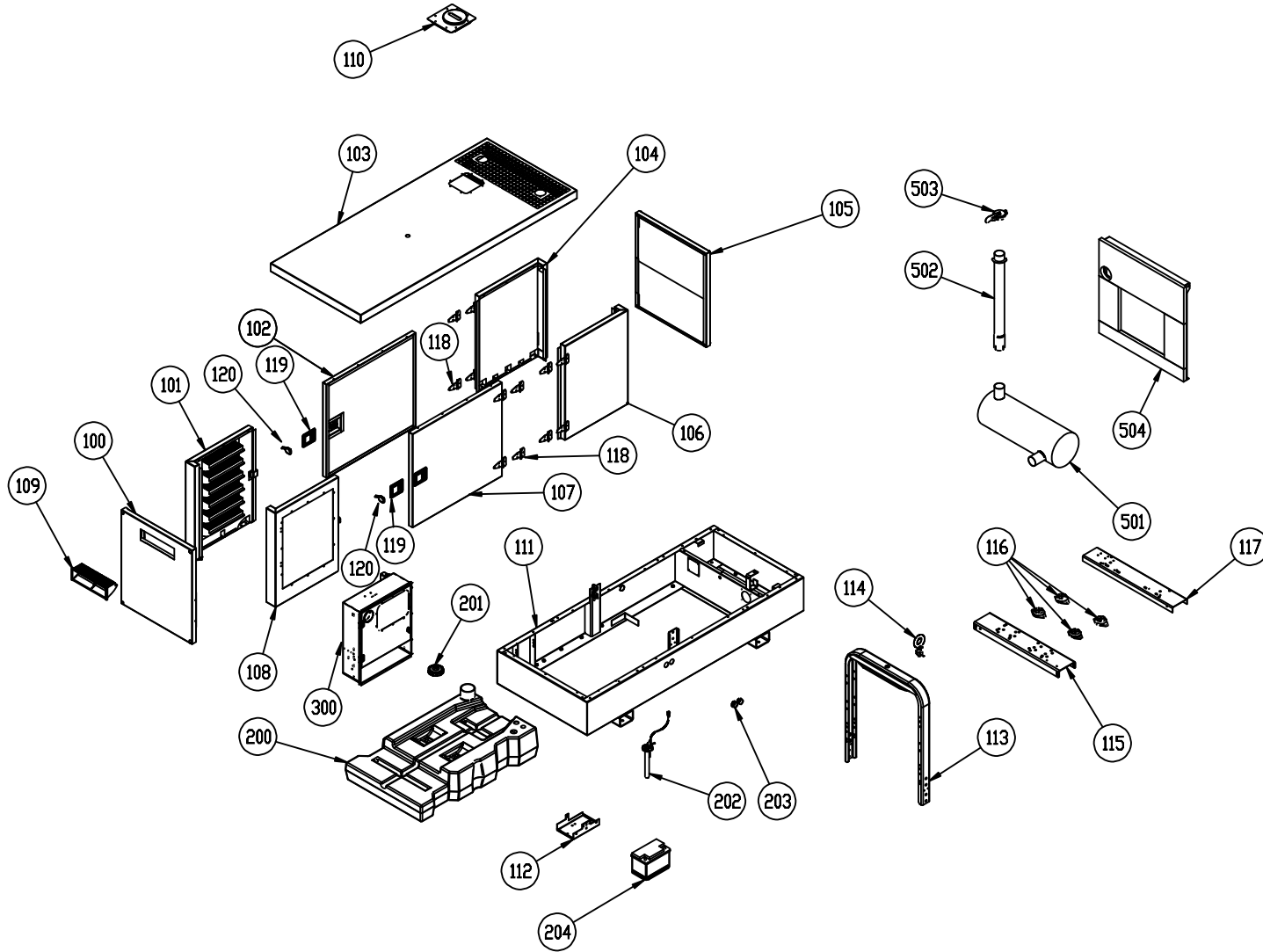
Spare Parts Catalogue

GSW110P-(ALT.S)-ACP

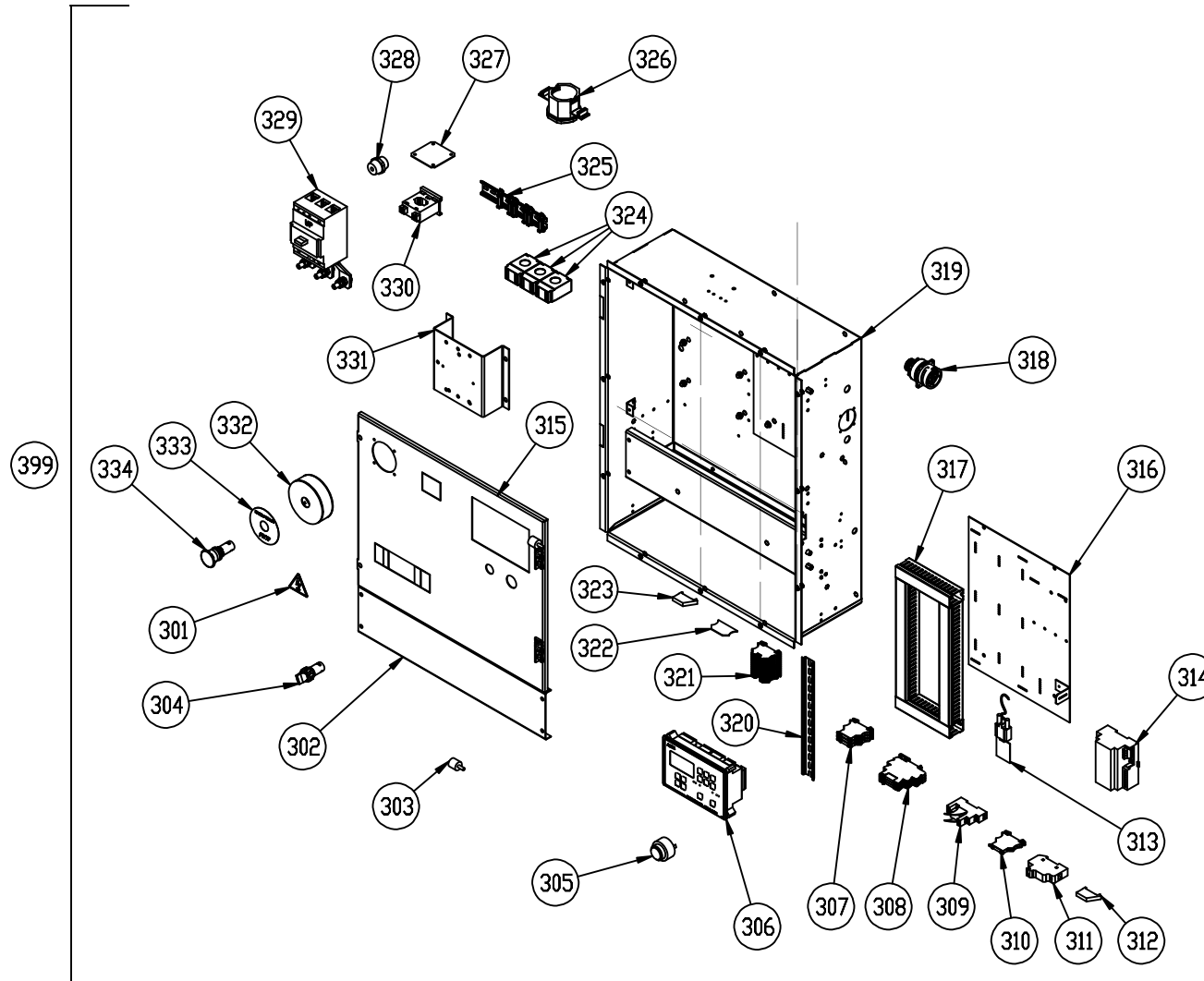
Generating sets

Valid for machine code: SU101TPA002

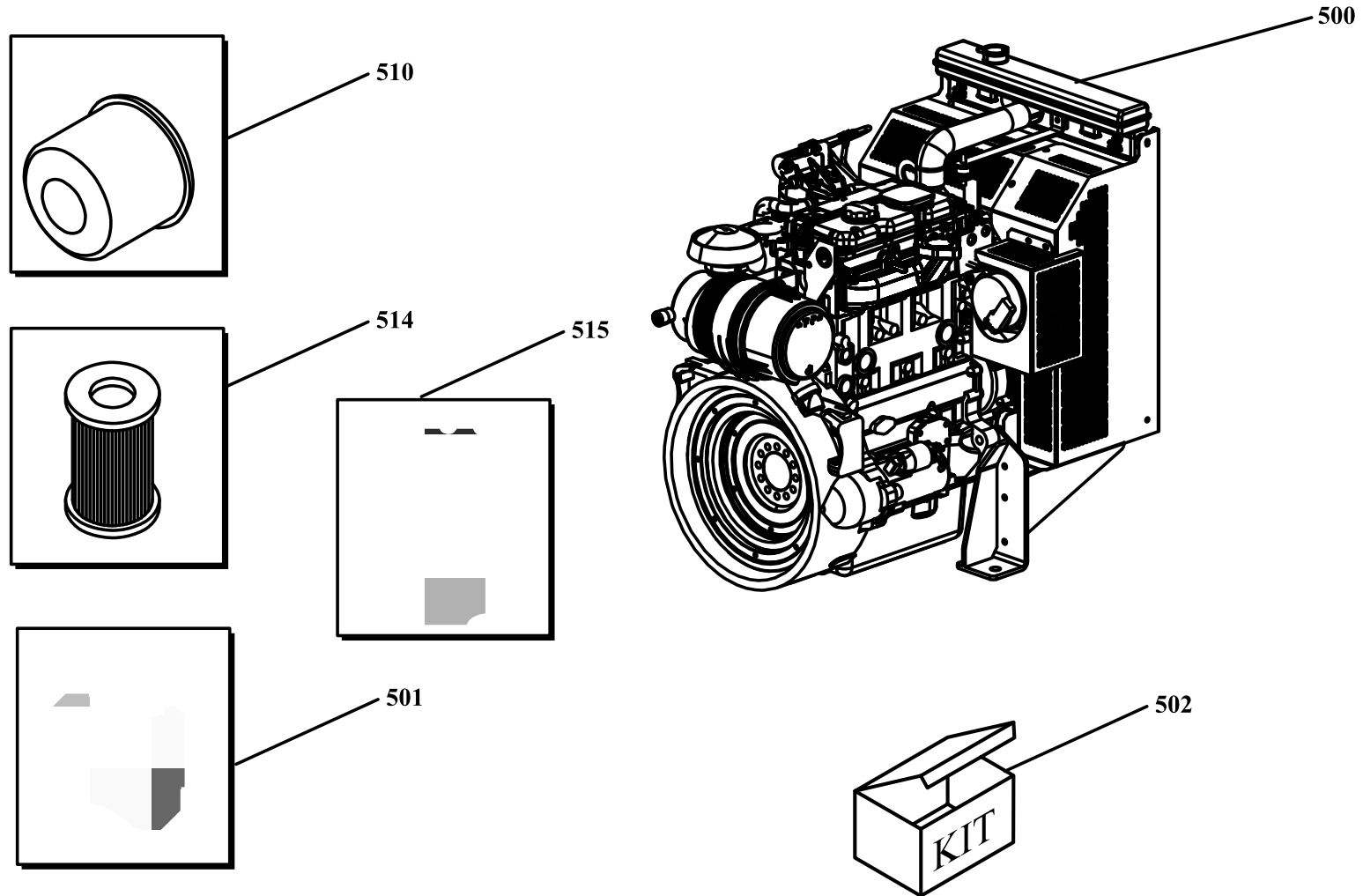
Revision: 0 (11/2016)



POSITION	PART NUMBER	DESCRIPTION	NOTES
100	SM5Z002286	BACK PANEL ASPIRATION SIDE GSW80D // GSW100P UNI (SOUNDPROOF ROCK WOOL 40MM - RAL PRAMACB)	
101	SM5Z002287	LATERAL PANEL ASPIRATION SIDE GSW80D // GSW100P UNI (SOUNDPROOF ROCK WOOL 40MM - RAL PRAMACB)	
102	SM5Z000992	PUERTA GSW60-75 E/C. FORRADO RAL PRAMACB	
103	SM5Z002283	ROOF GSW80D // GSW100P UNI (SOUNDPROOF ROCK WOOL 40MM - RAL PAMACB)	
104	SM5Z002288	LATERAL LEFT PANEL EXPULSION SIDE GSW80D // GSW100P UNI (SOUNDPROOF ROK WOOL 40MM - RAL PRAMACB)	
105	SM5Z002290	EX. PANEL PAINTED GSW80D // GSW100P UNI (SOUNDP ROCK WOOL 40MM - RAL PRAMACB)	
106	SM5Z002285	LATERAL RIGHT PANEL EXPULSION SIDE GSW80D // GSW100P UNI (SOUNDPROOF ROCK WOOL 40MM - RAL PRAMACB)	
107	SM5Z000992	PUERTA GSW60-75 E/C. FORRADO RAL PRAMACB	
108	SM5Z002409	LATERAL PANEL CONTROL PANEL SIDE UNI-R1 GSW80D // GSW100P (SOUNDPROOF ROK WOOL 40MM - RAL PRAMACB)	
109	SM5Q000101	ASPIRATION GRILL STANDARD (PLASTIC) + STRIP SEAL	
110	SM5RP10004	MOUNT KIT ROOF PLATE WITH SCREW ROUND CAP	
111	VM5C806005-9005B	BASE FRAME Soudproof GSW80D // GSW100P UNI (PAINTED)	
112	VM5H200013-9005B	BANDEJA BATERÍA 75AH (PINTDA)	
113	VM5E805000-9005B	PAINTED PLATE LIFTING GBW 60-100 RAL-9005B	
114	SM5Q000000	HOOK OF ELEVATION BRITGE 59 / M30 TO DRILL GSW 60/75	
115	VM1014-9005B	ALTERNATOR SUPPORT GSW80D // GSW100P UNI (PAINTED)	
116	G052932	SILENT-BLOCK BELL BSB 95 C60 M-12.	
117	GM1010	ENGINE SUPPORT BASEFRAME SOUNDPROOF GSW80D // GSW100P UNI	
118	G040037	HINGE INOX 137x85 MM HERCOR	
119	G058018	PLASTIC HANDLE BODY POLYAMIDE PA6 140x120 MM BRASS LATCH WITHOUT KEY	
120	G001422	SINGLE KEY IN POLYAMIDE PA6 RED RAL3020 WITH LOGO PRAMAC	
200	SM5F400107+VM2050-9005B+G080738	DESCRIPTION N/A	
201	G052224	CAP Ø113MM WHIT GASKET	
202	G080347	FUEL GAUGE FLOAT H= 270 IN12/ OUT 10mm	
203	G052215	RUBBER CAP D=47mm H=22 mm PVC BLACK REF.12694	
204	G089037	BATTERY 80Ah	
501	VM5G800041-9005O	MUFFLER EXHAUST TO GSW110P UNI KINDE BASTELLI	
502	VM5G800042-9005O	CHIMNEY RIGID EXIT ESCAPES WITH FLANGE FIXATION TO GSW110P UNI (PAINTED)	
503	G088336	RAIN CAP COVER D.80MM	
504	SM5Z002289	SEPARADOR PERKINS 1104C-44TAG2 UNI (INSONORIZADO LANA ROCA 40MM - RAL 9005B)	



POSITION	PART NUMBER	DESCRIPTION	NOTES
301	G004800	TRIANGULAR STICKER "VOLTAGE" 55X50	
302	GM8468	FRONT SUPLEMENT PANEL OF CONTROL PANEL RENT I 1/2	
303	G052174	SILENT-BLOCK CIL. M20X20 M6X18 (R2020)	
304	G075134	SELECTOR 2 POS. MANT.BC 2NA C2SS1-10B-20 (REF. ABB 1SFA619200R1026)	
305	G079980	SIREN 24V.	
306	G076047	CONTROL CARD AC03 ACP CAN BUS	
307	G070600	TERMINAL FUSE SUPPORT 4MM2, 6,3A, FUSIBLE 5x20	
308	G075246	RELAY TRS 12VDC 1CO REF.1122750000	
309	G075258	RELAY 1 COMMUTATE 12V	
310	G070600	TERMINAL FUSE SUPPORT 4MM2, 6,3A, FUSIBLE 5x20	
311	G070666	FUSE SUPPORT WSI 25/1 32A 10x38	
312	G079415	TERMINAL ES 35 PA COD. 2005.2	
313	G076049	COMMUNICATION MODULE FOR AC03 - AMF26P RS232 (IL-NT RS232)	
314	G076823	BATTERY CHARGER REVALCO 1RAL8000 12/24VDC 180-280VAC 50-60Hz	
315	GM2163	UNI- R1/R2 DOOR (BENDED)	
316	LM1729	SUPPORT BOARD COMPONENTS C.P.E. + UNI-R [PUNCHED]	
317	G079561	RUNNEL (40.30.77)	
318	G079758	CONNECTOR SET MALE 21 PINS PANEL	
319	SM5P003001	CUBICLE RENT 1 (2008) [WELDED]	
320	G079565	CARRIL DIN 35 MM SIMETRICO [REF. WURTH 0975490101]	
321	G079406	TERMINAL BOARD 2.5MM2 [WDU 2.5]	
322	G079409	COPERTURA LATERALE (AP 2,5-10 PA COD. 2001.2)	
323	G079415	TERMINAL ES 35 PA COD. 2005.2	
324	G076848	TRANSFORMER 250/5 ASTR21-250/5 7,5VA CLASS 1 (REF. ZAIGER 700171348)	
325	G079565	CARRIL DIN 35 MM SIMETRICO [REF. WURTH 0975490101]	
326	G070277	BLACK RACORD PG48 [REF. SCHLEMMER 3805021]	
327	SM5P904715	TAPA CIEGA SALIDA DE CABLES	
328	G070504	ISOLATOR TENSION CPH1040 35 M8 (REF. TEKNOMEGA CPH 35M8)	
329	G077726	CIRCUIT BREAKER 160A 3P TMG T2N REF. 1SDA061873R1	
330	G076818	TOROIDAL TRANSFORMER TOR30	
331	GM1752	SUPPORT UNI-R1/R2 INT. T2-T3 [BENT]	
332	SM5P140603	SEPARATOR EMERGENCY STOP UNI-R1/R2 (CYLINDER)	
333	G075151	EMERGENCY PLATE D.78MM ENGLISH (ref.1SFA616915R1005)	
334	G075128	EMERGENCY STOP D40MM CE4T-10R-11	
399	SM5P493075	CUADRO ACP (AC-03) UNI-R1 160A 3P III CONEX. Y 50/60Hz 12V	



POSITION	PART NUMBER	DESCRIPTION	NOTES
500	EPW1314FUM6Z	Engine Perkins 1104C-44TAG2 Water_1500/1800_Electr_Sae3-11"½_12Vdc__Ver/Sp:RJ51175	
501	PEP00137	AIR FILTER	
502	P3KI00352	KIT FILTERS GSW110P 1104C-44TAG2	
510	PEP00141	OIL FILTER EX265440	
514	PEP00148	FUEL FILTER	
515	PEP00081	FUEL FILTER	