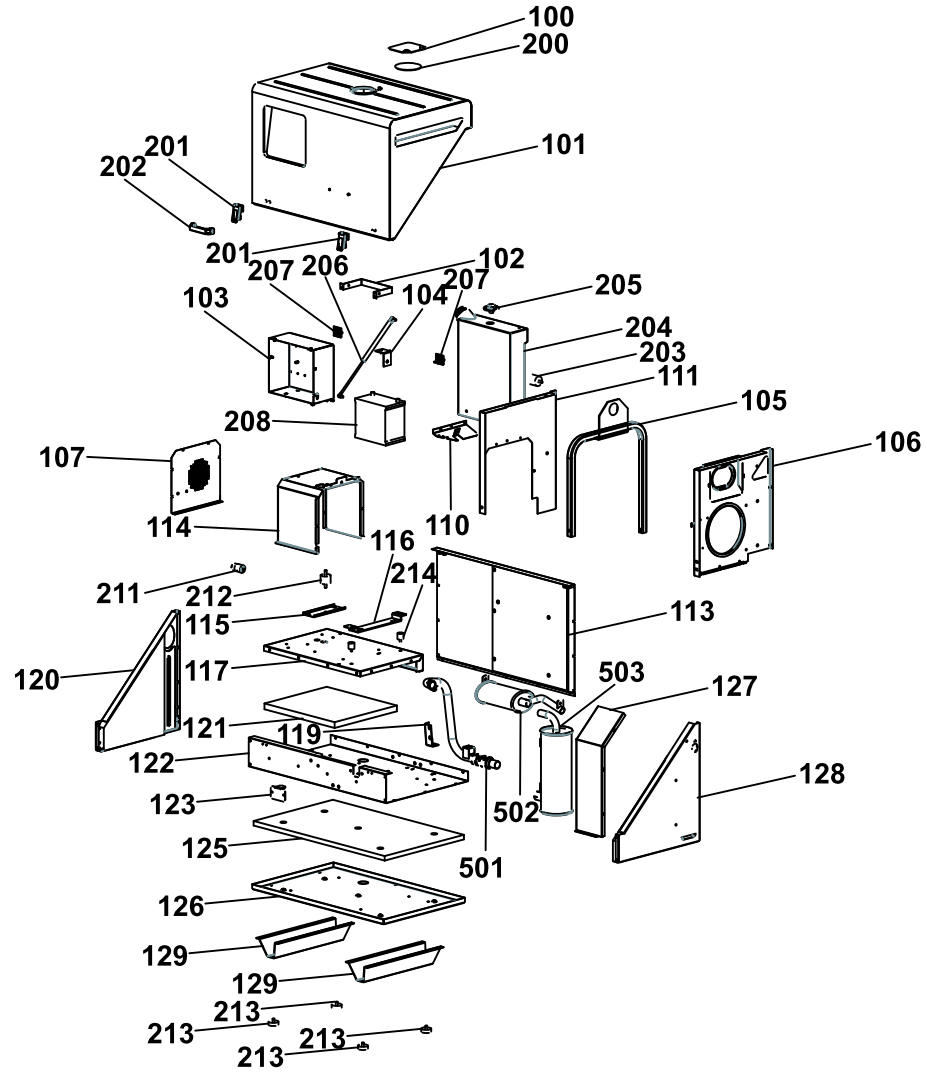


## Spare Parts Catalogue

# P6000s-2013-THREEPHASE+CONN+DPP

### Generating sets

Valid for machine code: PF602TYAZ0A  
Revision: 0 (05/2016)

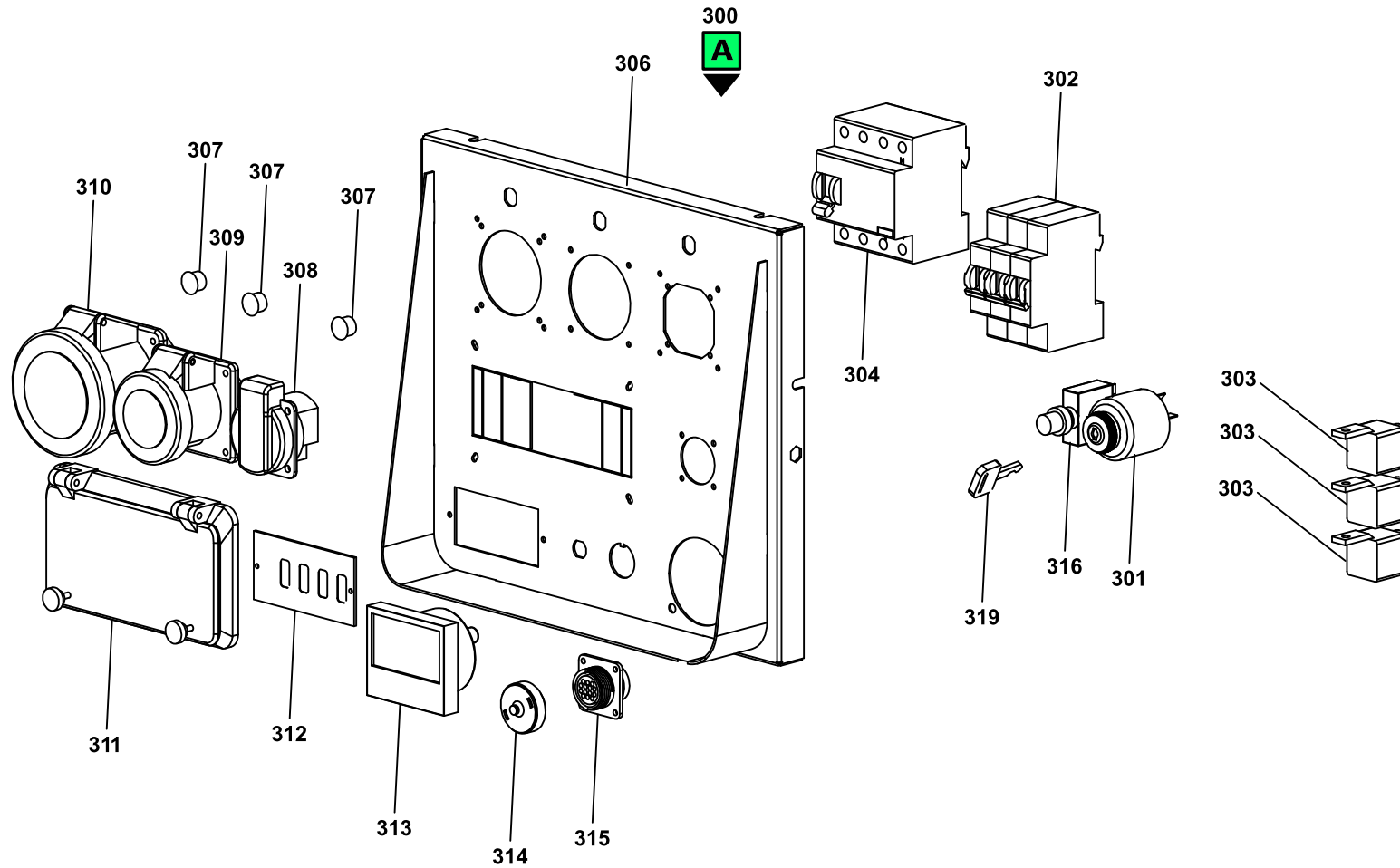


POSITION	PART NUMBER	DESCRIPTION	NOTES
100	VA9475-9005B	COVERAGE BUTTONHOLE OF LIFTING P6000S PAINT BLACK	
101	SA50030059	P6000s PRAMACB GREEN PAINTED COMPLETE SET OF CANOPY	
102	VA9449-9005B	STIRRUP FIXING BATTERY 12V 45AH PAINTED BLACK	
103	SA50030045	BACK PANEL P6000s	
104	SA50030018	P6000s EXHAUST COMPLETE EXHAUST MODULE SUPPORT	
105	SA50030008	STRUTTURA DI SOLLEVAMENTO COMPLETA P6000s	
106	SA50030067	COMPLETE FILTER SIDE PANEL P6000s EPA	
107	SA50030000	DESCRIPTION N/A	
110	SA50030075	COMPLETE AIR BAFFLE P6000s	
111	SA50030081	DESCRIPTION N/A	
113	SA50030003	COMPLETE BACK COVER P6000s	
114	SA50030058	DESCRIPTION N/A	
115	VA9464-9005B	P6000s ALT. SUPPORT PAINTED BLACK	
116	ZA8886	ENGINE SUPPORT L100-L70-L48 ZINC PLATED	
117	SA50030043	COMPLETE FRAME ALTERN/ENGINE P6000s	
119	VA9576-9005B	P6000s PAINTED MANIFOLD CLAMP	
120	SA50030080	P6000s ALTERNATOR SIDE PANEL ASSEMBLY	
121	SA50030918	DEADENING QUASH PLINTH MOTION-ALTERNATOR P6000s	
122	SA50030078	P6000s WITH L100N COMPLETE BASEPLATE	
123	VA9473-9005B	COVER UNLOADED OIL P6000s PAINTED BLACK	
125	SA50030919	DEADENING QUASH SANDWITCH PLINTH P6000s	
126	SM5Z002698	TRAY UNDER BASE FRAME P6000s2 RIVETED (RAL9005B)	
127	SA50030011	MUFFLER COVER COMPLETE P6000s	
128	SA50030040	COMPLETE BROADSIDE ENGINE SIDE P6000s	
129	VA9469-9005B	FOOT OF SUPPORT BLACK SKID P6000s PAINTED BLACK	
200	SA50030905	GASKET COVERAGE BUTTONHOLE OF LIFTING P6000S	
201	▲ G040402	LEVER LOCK REG. (PADLOCK) Zn	Attention: this item is valid for machines produced until 07/12/2011 Interchangeable: YES
201	▲ G040407	LOCK REF. (PADLOCK) Zn Ref. E2.18.01.04/6	Attention: this item is valid for machines produced from 07/12/2011 Interchangeable: YES
202	G058012	HANDLE FOR GEN-SET CANOPY GBW	
203	G052105	CYLINDRIC SILENT-BLOCK MF-50x50-M10x25-M10-45	
204	SA50030901	TANK 19 LITERS FOR P6000s	
205	G080363	FUEL GAUGE	
206	G001720	GAS RAM600N TS1-TS1 C/SN.M8 198.500.60	
207	G001608	HINGE WITH FLARED HOLES UNIFAST	

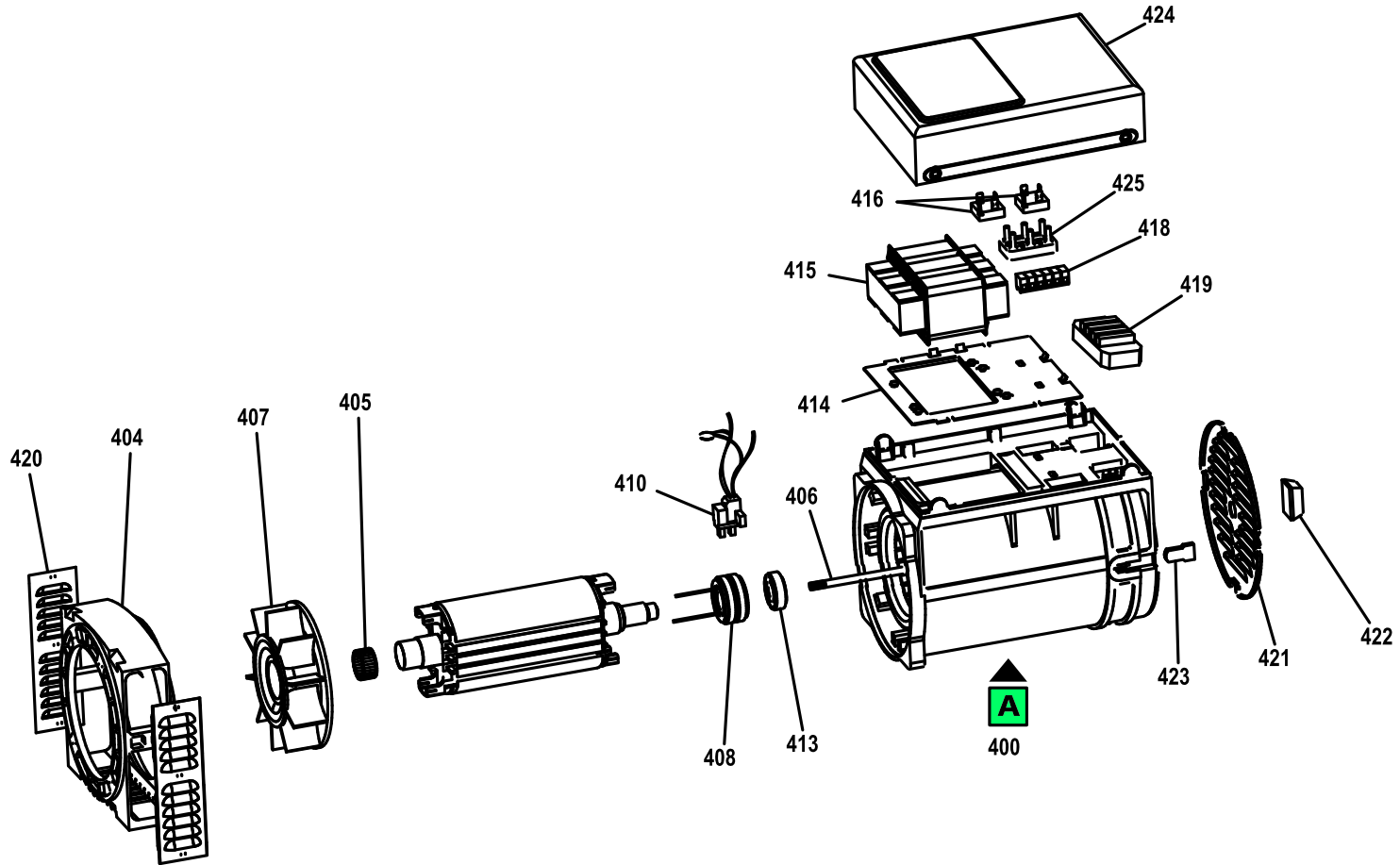
POSITION	PART NUMBER	DESCRIPTION	NOTES
208	G089019	BATTERY 45AH WITH ACID	
212	G052107	CYLINDRIC SILENT-BLOCK MM-50x40-M10x25-45	
213	G052911	SILENT-BLOCK PIED. M-50x16-M10x15 SH45	
214	G052112	CYLINDRIC SILENT-BLOCK MF-30x30-M8x15-M8-60	
501	SA50030092	RENFORCED MANIFOLD FOR P6000s	
502	SA50030903	P6000s EXHAUST	
503	SA50030902	SILENCER MUFFLER P6000s	

P6000s-2013-THREEPHASE+CONN+DPP - Machine code:  
PF602TYAZ0A

Spare Parts Catalogue P6000s-2013-THREEPHASE+CONN+DPP -  
Revision: 0 (05/2016)

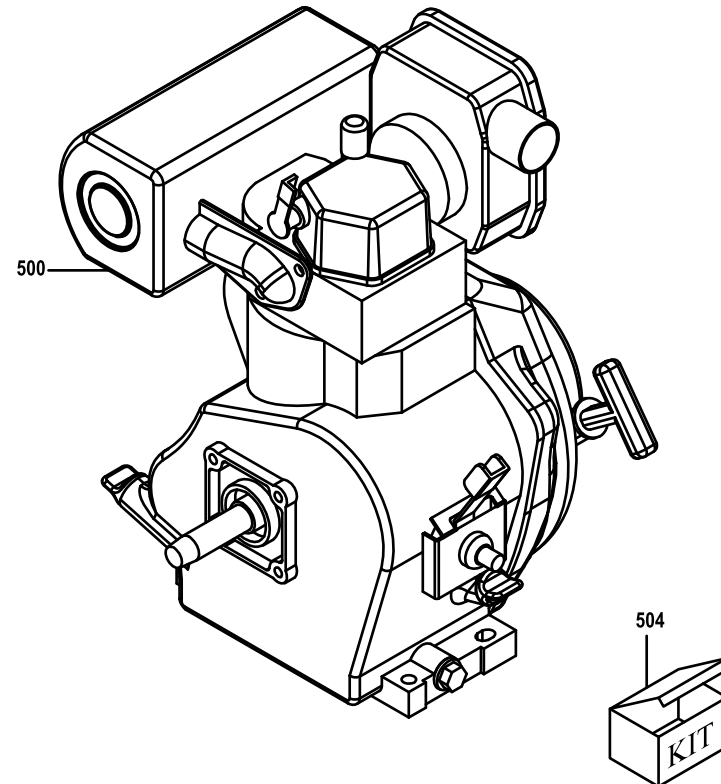
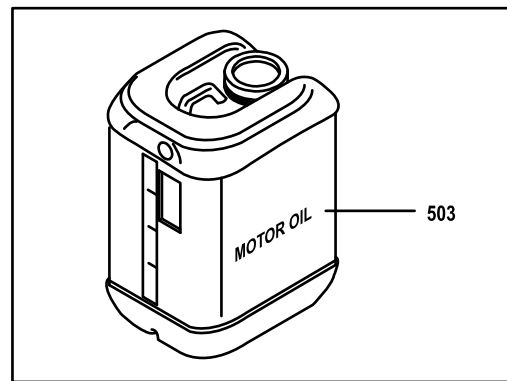
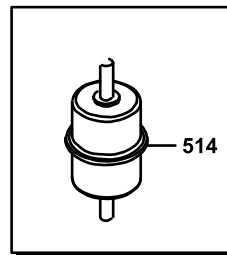
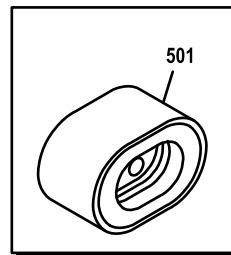
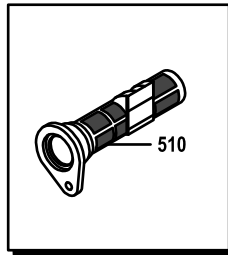


POSITION	PART NUMBER	DESCRIPTION	NOTES
300	SM5P900016	DIFFERENCIAL CONTROL PANEL TRI-PHASE P6000S + 14 POLES CONNECTOR	
301	G075310	STARTER KEY SWITCH	
302	G075560	MAGNETOTHERMIC SWITCH 3P 10A 4,5KA	
303	G079583	RELE' 12V 1 30/20A 12.040.000	
304	G075512	DIFFERENTIAL SWITCH 4P 25A 0.03A	
306	VA50030703-9005B	P6000s TP COMPLETE PANEL FACE - 14 POLES CONNECTOR	
307	G051109	CAP FOR HOLE D12.7	
308	G071131	SOCKET SUBASSEMBLY, POWER SUPPLY	
309	G071121	PANEL MOUNT SOCKET 2P+T 230V 16A IP44 CEE	
310	G071126	PANEL MOUNT SOCKET 3P+N+T 400V 16A IP44 CEE	
311	G070312	IP55 COVER 8 MODULES DIN	
312	G076443	MOTOR PROTECTION BOARD GE25 (D+P)	
313	G079025	VOLTMETER 0-500V D56	
314	G071091	SEALING CAP WITH BEAD CHAIN - 14 POLES CONNECTOR	
315	G071021	FEMALE CONNECTOR 14CONTACTS COM. DIST.	
316	G075532	THERMAL CIRCUIT BREAKER 20A 250V	
319	G76926	KEY BLOCK BODY FOR STARTER SWITCH	



POSITION	PART NUMBER	DESCRIPTION	NOTES
400	AMT6000AB0000Z	ALTERNATOR T16F 130/A 6/230/400/50/3000 - J609b - BLIND COVER - MECC-ALTE	
404	G70046	COVER TR-1/MR-1 B9/J609	
405	G70054	COMPENSATOR RING TR-1/MR-1	
406	G70052	CENTRAL TENSION ROD J609 TR-1/MR-1	
407	PAM0392000040	FAN T16	
408	G70132	SLIP RING T1/TR-1 SERIE	
410	G70055	BRUSHES SET (BH40) TR-1	
413	G010301	BEARING 6203 2Z (17-40-12)	
414	G70057	COMPONENTS HOLDER PANEL TR-1	
415	PAM5505008203	COMPOUND TF T16 6Kva	
416	G70114	DIODE BRIDGE MF 36 MB-80A	
418	G70134	AUXILIARY TERMINAL BOARD SERIES T1	
419	G79062	RFI SUPPRESSOR DEVICE SDR 182/18	
420	G70053	PROTECTION GRID TR-1/MR-1	
421	G70041	GRID TR1/MR-1	
422	G70058	CAP FOR COVER TR-1/MR-1	
423	G70056	GROMMET TR-1/MR-1	
424	PAM0390501015	COVER GEN HEAD MECC ALTE S20F	
425	G70107	TERMINAL BOARD 56x36	





POSITION	PART NUMBER	DESCRIPTION	NOTES
500	EYP100CBY0S	Engine Yanmar L100 Air_3000_Mech_J609b-_12Vdc__Ver/Sp:L100N5EL2C9HAPM	
501	PEY00002	AIR FILTER	
503	P3KI00299	Kit Pramac Power	
504	P3KI00108	MAINTENANCE KIT P6000s P6000	
510	PEY00005	OIL FILTER	
514	G080101	FUEL FILTER FB1-01544 5u	