

Spare Parts Catalogue

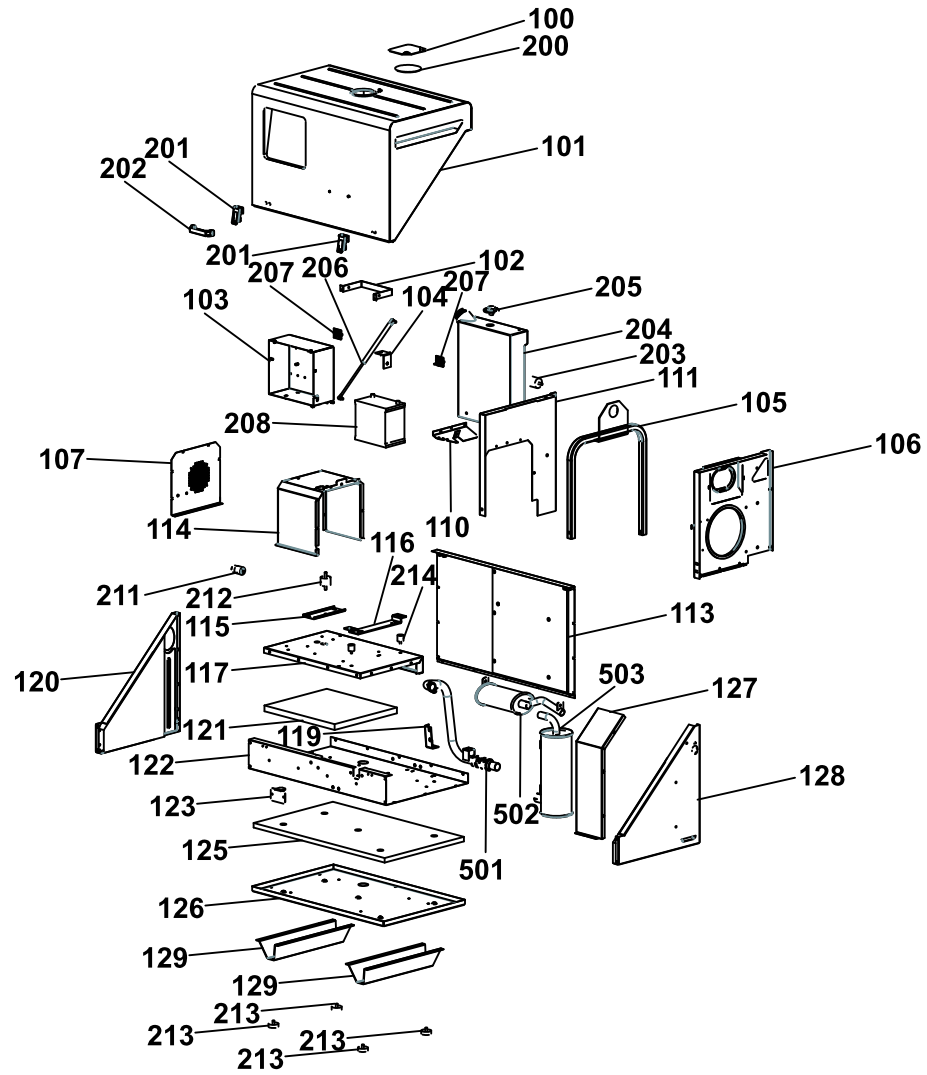
P6000s-2013-MONOPHASE+CONN+DPP

Generating sets

Valid for machine code: PF532SYAZ0K
Revision: 0 (01/2015)

P6000s-2013-MONOPHASE+CONN+DPP - Machine code:
PF532SYAZ0K

Spare Parts Catalogue P6000s-2013-MONOPHASE+CONN+DPP -
Revision: 0 (01/2015)

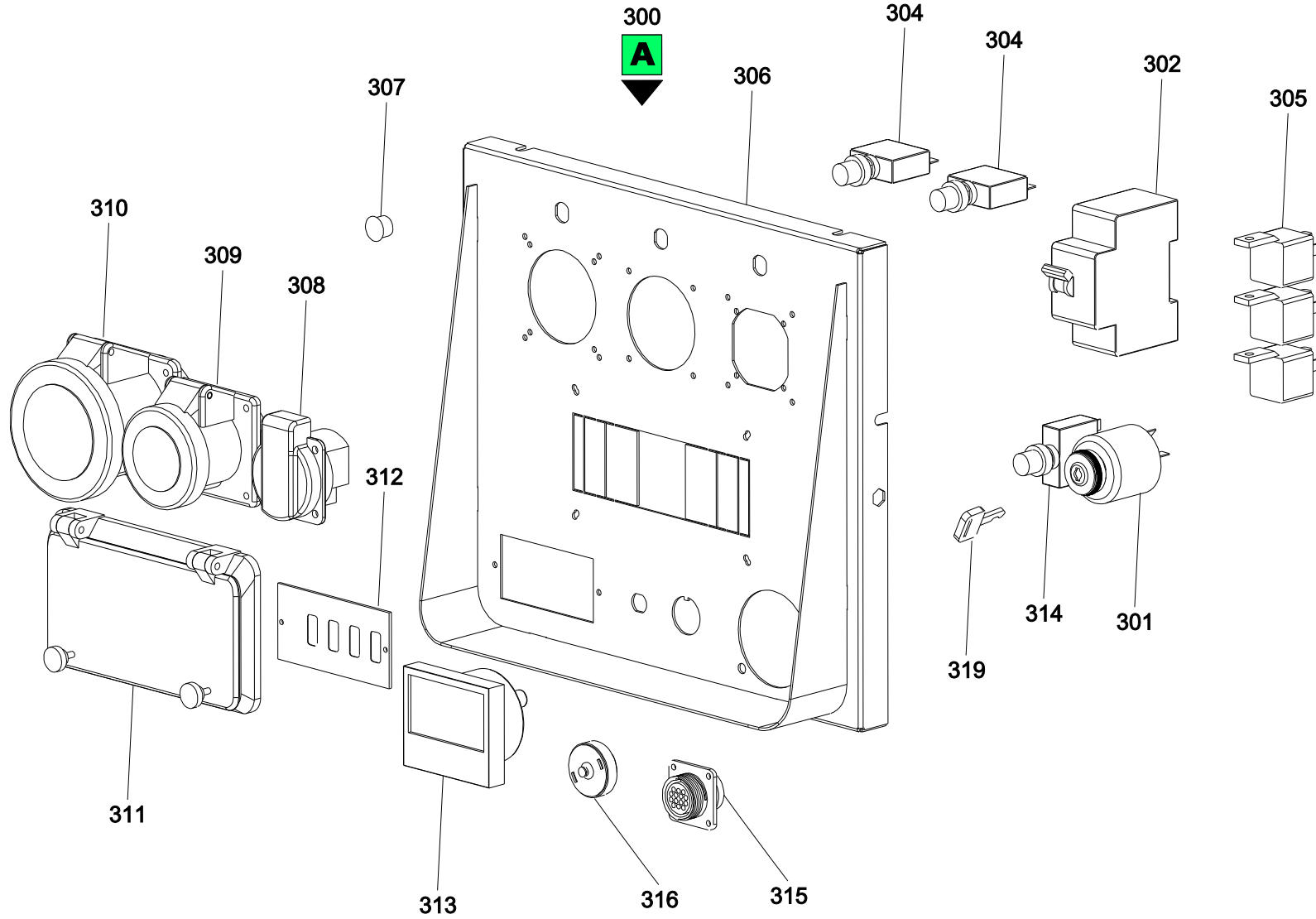


POSITION	PART NUMBER	DESCRIPTION	NOTES
100	VA9475-9005B	COVERAGE BUTTONHOLE OF LIFTING P6000S PAINT BLACK	
101	SA50030059	P6000s PRAMACB GREEN PAINTED COMPLETE SET OF CANOPY	
102	VA9449-9005B	STIRRUP FIXING BATTERY 12V 45AH PAINTED BLACK	
103	SA50030045	BACK PANEL P6000s	
104	SA50030018	P6000s EXHAUST COMPLETE EXHAUST MODULE SUPPORT	
105	SA50030008	STRUTTURA DI SOLLEVAMENTO COMPLETA P6000s	
106	SA50030067	COMPLETE FILTER SIDE PANEL P6000s EPA	
110	SA50030075	COMPLETE AIR BAFFLE P6000s	
111	SA50030081	DESCRIPTION N/A	
113	SA50030003	COMPLETE BACK COVER P6000s	
114	SA50030009	ALT. COVER P6000s	
115	VA9464-9005B	P6000s ALT. SUPPORT PAINTED BLACK	
116	ZA8886	ENGINE SUPPORT L100-L70-L48 ZINC PLATED	
117	SA50030043	COMPLETE FRAME ALTERN/ENGINE P6000s	
119	VA9576-9005B	P6000s PAINTED MANIFOLD CLAMP	
120	SA50030080	P6000s ALTERNATOR SIDE PANEL ASSEMBLY	
121	SA50030918	DEADENING QUASH PLINTH MOTION-ALTERNATOR P6000s	
122	SA50030078	P6000s WITH L100N COMPLETE BASEPLATE	
123	VA9473-9005B	COVER UNLOADED OIL P6000s PAINTED BLACK	
125	SA50030919	DEADENING QUASH SANDWITCH PLINTH P6000s	
126	SM5Z002698	TRAY UNDER BASE FRAME P6000s2 RIVETED (RAL9005B)	
127	SA50030011	MUFFLER COVER COMPLETE P6000s	
128	SA50030040	COMPLETE BROADSIDE ENGINE SIDE P6000s	
129	VA9469-9005B	FOOT OF SUPPORT BLACK SKID P6000s PAINTED BLACK	
200	SA50030905	GASKET COVERAGE BUTTONHOLE OF LIFTING P6000S	
201	G040407	LOCK REF. (PADLOCK) Zn Ref. E2.18.01.04/6	
202	G058012	HANDLE FOR GEN-SET CANOPY GBW	
203	G052105	CYLINDRIC SILENT-BLOCK MF-50x50-M10x25-M10-45	
204	SA50030901	TANK 19 LITERS FOR P6000s	
205	G080363	FUEL GAUGE	
206	G001720	GAS RAM600N TS1-TS1 C/SN.M8 198.500.60	
207	G001608	HINGE WITH FLARED HOLES UNIFAST	
208	G089019	BATTERY 45AH WITH ACID	
209	SA50030926	VACUUM FORMED FAN COVER-P6000s	
210	G076713	ALTERNATOR FAN P6000	
211	SA50030601	FAN MOUNTING BOSS - P6000SYEDS	

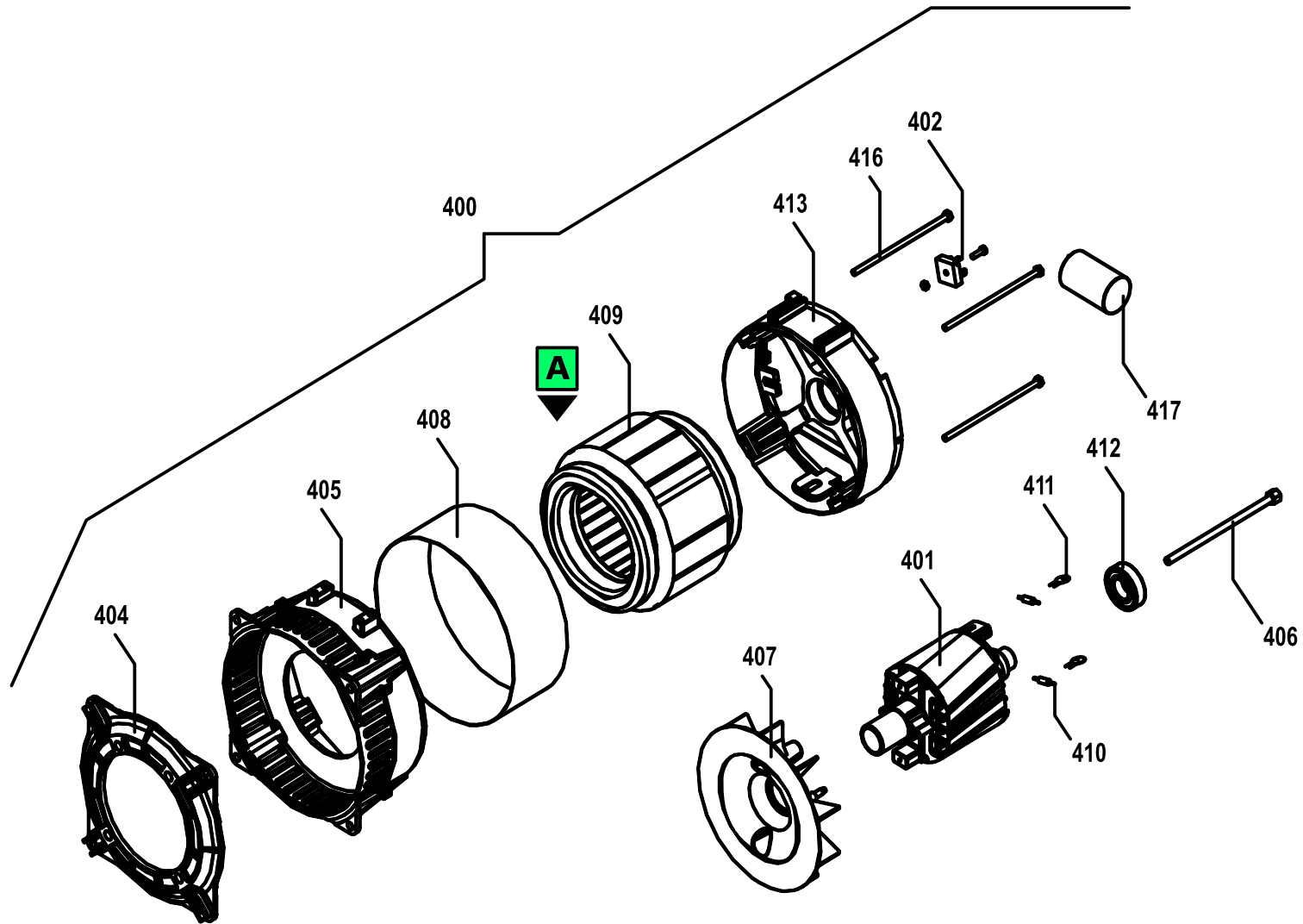
POSITION	PART NUMBER	DESCRIPTION	NOTES
212	G052107	CYLINDRIC SILENT-BLOCK MM-50x40-M10x25-45	
213	G052911	SILENT-BLOCK PIED. M-50x16-M10x15 SH45	
214	G052112	CYLINDRIC SILENT-BLOCK MF-30x30-M8x15-M8-60	
501	SA50030092	RENFORCED MANIFOLD FOR P6000s	
502	SA50030903	P6000s EXHAUST	
503	SA50030902	SILENCER MUFFLER P6000s	

P6000s-2013-MONOPHASE+CONN+DPP - Machine code:
PF532SYAZ0K

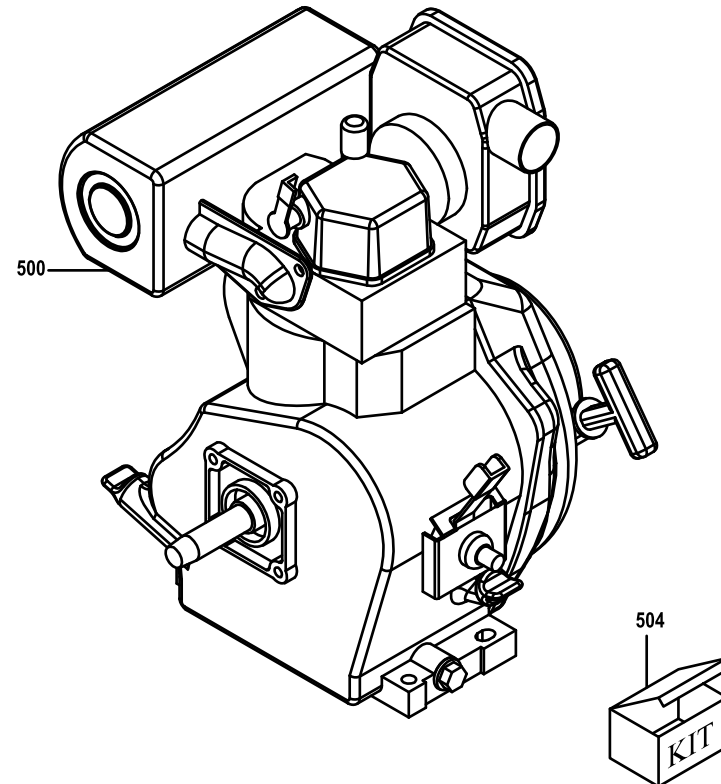
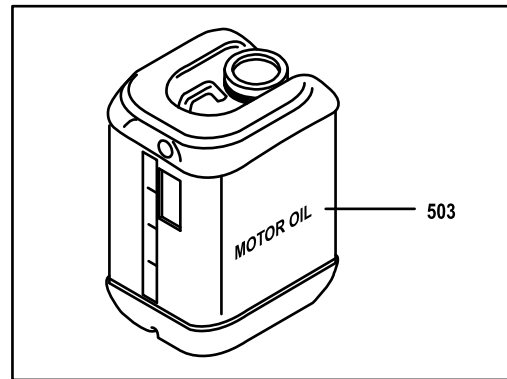
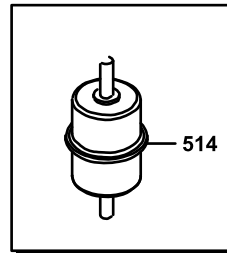
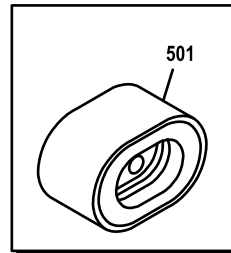
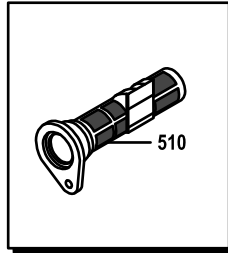
Spare Parts Catalogue P6000s-2013-MONOPHASE+CONN+DPP -
Revision: 0 (01/2015)



POSITION	PART NUMBER	DESCRIPTION	NOTES
300	▲ SA50030093	DIFFERENTIAL CONTROL PANEL S.PHASE CONNECTOR 14 POLES, P6000s	Attention: this item is valid for machines produced until 04/07/2016 Interchangeable: YES
300	▲ SM5P90S003	CONTROL PANEL MCP P6000s2 (GE25) 20A 2P CONEC. 1PH+1PH 50HZ 12V +CONN +DPP	Attention: this item is valid for machines produced from 04/07/2016 Interchangeable: YES
301	G075310	STARTER KEY SWITCH	
302	G075765	CIRC. BREAKER 2P (1P+N) 20A 230V 0.03A 4.5kA	
304	▲ G075533	SWITCH US 15 A 250V	Attention: this item is valid for machines produced until 04/07/2016 Interchangeable: YES
304	▲ G075561	THERMAL CIRCUIT BREAKER 16A 240V	Attention: this item is valid for machines produced from 04/07/2016 Interchangeable: YES
305	G079583	RELE' 12V 1 30/20A 12.040.000	
306	SA50030703	P6000s COMPLETE PANEL FACE - 14 POLES CONNECTOR	
307	G051109	CAP FOR HOLE D12.7	
308	G071131	SOCKET SUBASSEMBLY, POWER SUPPLY	
309	G071121	PANEL MOUNT SOCKET 2P+T 230V 16A IP44 CEE	
310	G071136	SOCKET 2P+T 230V 32A IP44 CEE	
311	G070312	IP55 COVER 8 MODULES DIN	
312	G076443	MOTOR PROTECTION BOARD GE25 (D+P)	
313	▲ G079025	VOLTMETER 0-500V D56	Attention: this item is valid for machines produced until 04/07/2016 Interchangeable: YES
313	▲ G079833	VOLTMETER 0-300V D.56	Attention: this item is valid for machines produced from 04/07/2016 Interchangeable: YES
314	G075532	THERMAL CIRCUIT BREAKER 20A 250V	
315	G071021	FEMALE CONNECTOR 14CONTACTS COM. DIST.	
316	G071091	SEALING CAP WITH BEAD CHAIN - 14 POLES CONNECTOR	
319	G76926	KEY BLOCK BODY FOR STARTER SWITCH	



POSITION	PART NUMBER	DESCRIPTION	NOTES
400	AMS6000CB0000Y	ALTERNATOR S20W 95/A 6/115/230/50/3000 J609b	
402	PAM0391400607	RECTIFYING DIODE BRIDGE MF (SKB25-08)	
404	PAM00014	FLANGE S20W B9/22	
405	PAM0391700333	COVER AR2	
406	PAM00012	SECURING STUD S20W 7.2 186mm	
407	PAM0392000041	FAN S20W	
408	PAM0390601053	Enclosing Band S20W 6Kva	
410	PAM9910356050	DIODE D2/125 25A	
411	G70459	VARISTOR Z-10-L-561	
412	G010405	BEARING 6205 2RS (25-52-15)	
413	PAM0390302222	ALT. FRONT COVER AR2/110	
416	PAM0391800322	Cover stay bolt S20W 6Kva	
417	G70174	CAPACITOR 31,5uF 400V A1 4,1kVA	



POSITION	PART NUMBER	DESCRIPTION	NOTES
500	EYP100CBY0S	Engine Yanmar L100 Air_3000_Mech_J609b-_12Vdc__Ver/Sp:L100N5EL2C9HAPM	
501	PEY00002	AIR FILTER	
503	P3KI00299	Kit Pramac Power	
504	P3KI00108	MAINTENANCE KIT P6000s P6000	
510	PEY00005	OIL FILTER	
514	G080101	FUEL FILTER FB1-01544 5u	