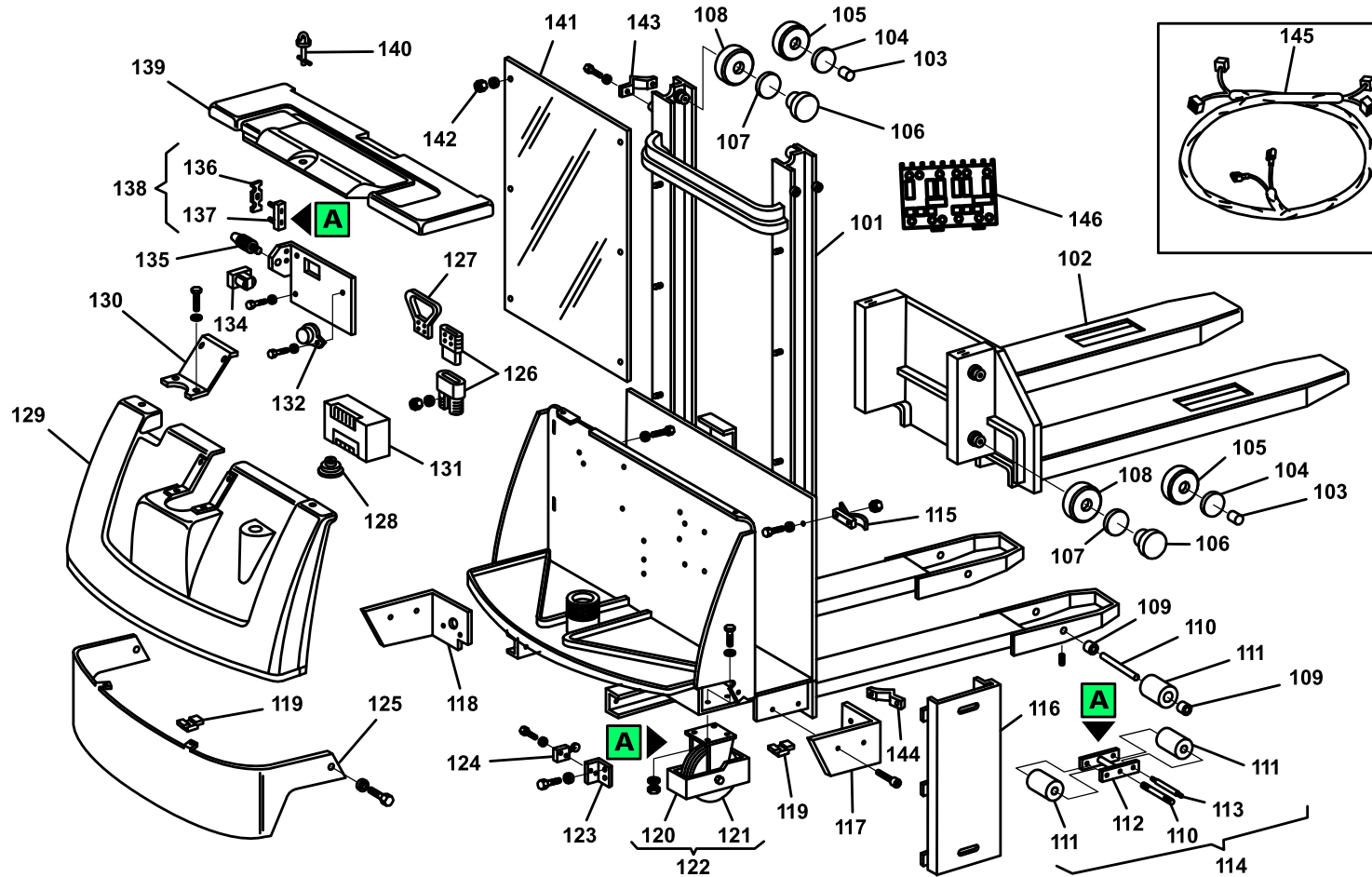


# Spare Parts Catalogue

## LX16-16

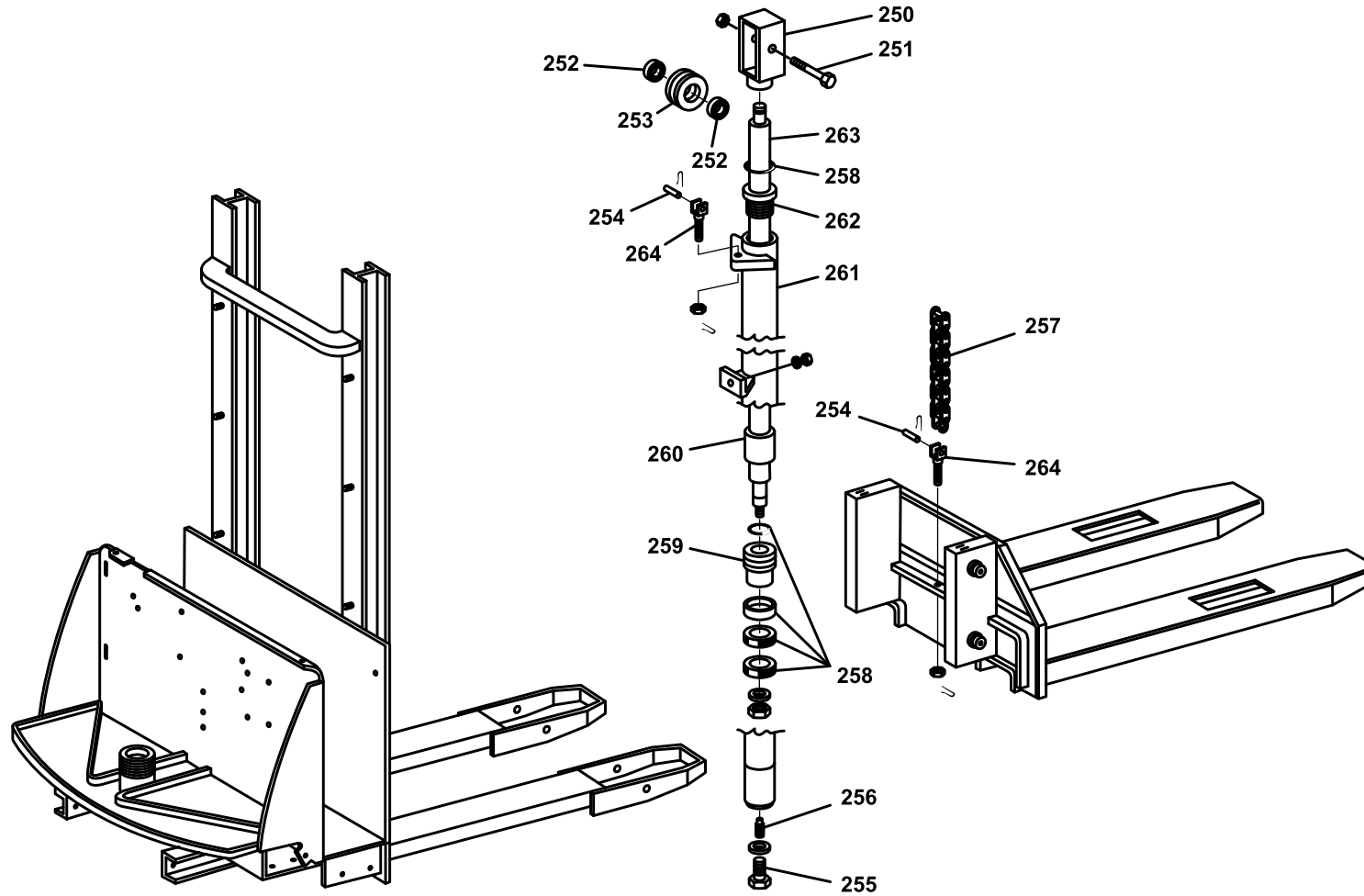
### Stackers

Valid for machine code: HD316000000  
Revision: 0 (10/2006)

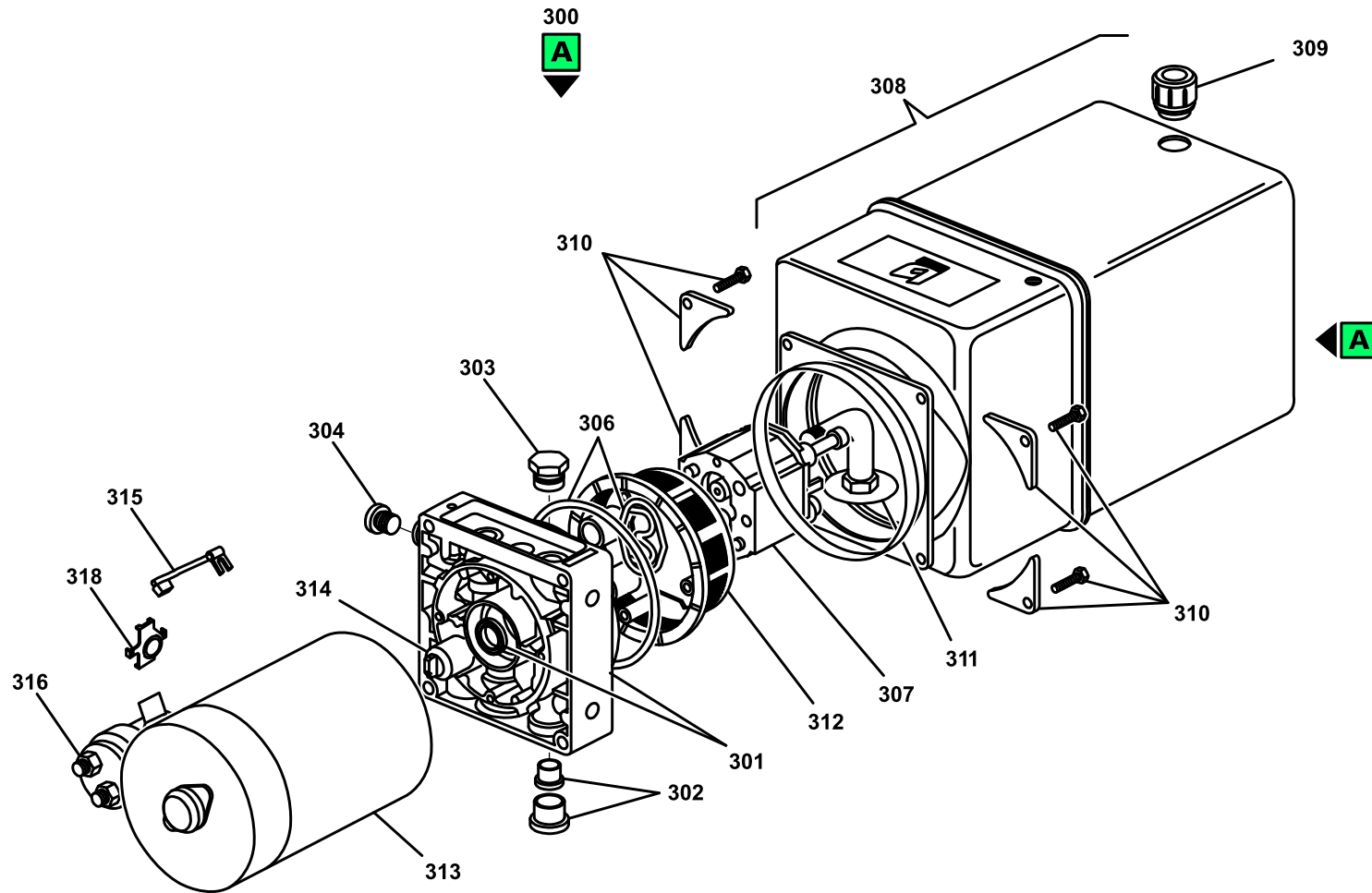


| POSITION | PART NUMBER        | DESCRIPTION                                       | NOTES |
|----------|--------------------|---|-------|
| 101      | V0301180354-PRAMAC | TELAIO LX 16/16 VERN.VERDE PRAMAC                 |       |
| 102      | S0307180324        | FORK LX 16/16 PAINTED                             |       |
| 103      | G019304            | ADJUSTABLE NYLON PAD FOR G019104                  |       |
| 104      | G019305            | ADJUSTABLE PAD DISC FOR G019104                   |       |
| 105      | G019301            | CYL. ROLLER BEARING D77.7 xG019104                |       |
| 106      | G019314 + G019315  | DESCRIPTION N/A                                   |       |
| 107      | G019315            | CONTRAST PLATE '01                                |       |
| 108      | G019306            | BEARING D70 (CSF.002)                             |       |
| 109      | S0302016026        | ROLLER SPACER SING.TX-GX (L.15) ZINC              |       |
| 110      | S0302015025        | CLEVIS PIN TX/GX/LX "BURNISHED"                   |       |
| 111      | S0302020117        | POLYURETHANE ROLLER D82x70 + BEARING              |       |
| 113      | S0302015026        | TANDEM PIN TE/TM/L10 (BURNISHED)                  |       |
| 114      | S0302010006        | COMPLETE ROLLER TANDEM POLYURETHANE L16 - L/VT    |       |
| 115      | G040010            | LEVER HINGE ZINC PLATED WHITE                     |       |
| 116      | V09349-PRAMAC      | BATTERY COMPARTMENT SIDE PANEL LX12-16            |       |
| 117      | S0300177021        | RIGHT SIDE PROTECTION LX 12-16 PAINTED            |       |
| 118      | S0300177020        | LEFT SIDE PROTECTION LX 12-16 PAINTED             |       |
| 119      | G034903            | CAGE NUT M8 ZN                                    |       |
| 120      | G018001            | COMPLETE CASTOR WHEEL LX + PROTECTION             |       |
| 121      | G053345            | POLYURETHANE/CAST IRON WHEEL Z125x50/50(S501183)  |       |
| 122      | G053335            | POLYURETHANE/CAST IRON WHEEL Z125x50/50 C/C BOMB. |       |
| 123      | G09353             | SECOND SPEED MICROSWITCH SUPPORT LX12-16          |       |
| 124      | G075006            | LIMIT SWITCH WITH ROLLER PIZZATO MKV11D15         |       |
| 125      | S0300179013        | MOTOR WHEEL PROTECTION LX 12-16 PAINTED           |       |
| 126      | G071099            | CONNECTOR 160A                                    |       |
| 127      | G071203            | HANDLE AB 995 G3 (ANDERSON)                       |       |
| 128      | G052002            | RUBBER BELLOWS (FOR STACKERS)(0-RAB/010)          |       |
| 129      | S0300178046        | HOOD LX   |       |
| 130      | V09348-PRAMAC      | CLOSING CARTER COFANO LX12-16 GREEN PRAMAC        |       |
| 131      | G076000            | CONTROLLER 1243-4224 (24V-200A) '08               |       |
| 132      | G075110            | HORN 24V DC                                       |       |
| 134      | G079019            | CONTACTOR ALBRIGHT SW80-65 24V CO                 |       |
| 135      | G070625            | FUSE HOLDER SCREW CAP + FUSE 6.3A                 |       |
| 136      | G077540            | FUSE 160A (RFM REGHEL)                            |       |
| 137      | G070603            | FUSE HOLDER x FUSE 160Amp                         |       |
| 138      | G070626            | FUSE HOLDER + FUSE 160Amp                         |       |

| POSITION | PART NUMBER             | DESCRIPTION                            | NOTES  |
|----------|-------------------------|--|--|
| 139      | S0300178047             | BATTERY HOOD LX                        |  |
| 140      | G040056+G040058+G040057 | DESCRIPTION N/A                        |  |
| 141      | S0300178048             | PLEXIGLASS GUARD H=1600 LX             |  |
| 142      | G035001                 | BLIND NUT NYLON BLACK M8               |  |
| 143      | S0300187022             | CYLINDER U-BOLT LX 16 PAINTED          |  |
| 144      | S0300187336             | CYLINDER SCREW PROTECTION LX16 PAINTED |  |
| 145      | ▲ S0309170253           | ELECTRIC WIRING LX                     | Attention: this item is valid for machines produced with serial number until 2004HL000229<br>Interchangeable: NO |
| 145      | ▲ P0CD00006             | KIT CAVI COMPLETO LX12/16 TIMONE 03    | Attention: this item is valid for machines produced with serial number from 2004HL000230<br>Interchangeable: NO  |
| 146      | PTB00006                | SCHEDA RADDRIZZATORE                   |  |

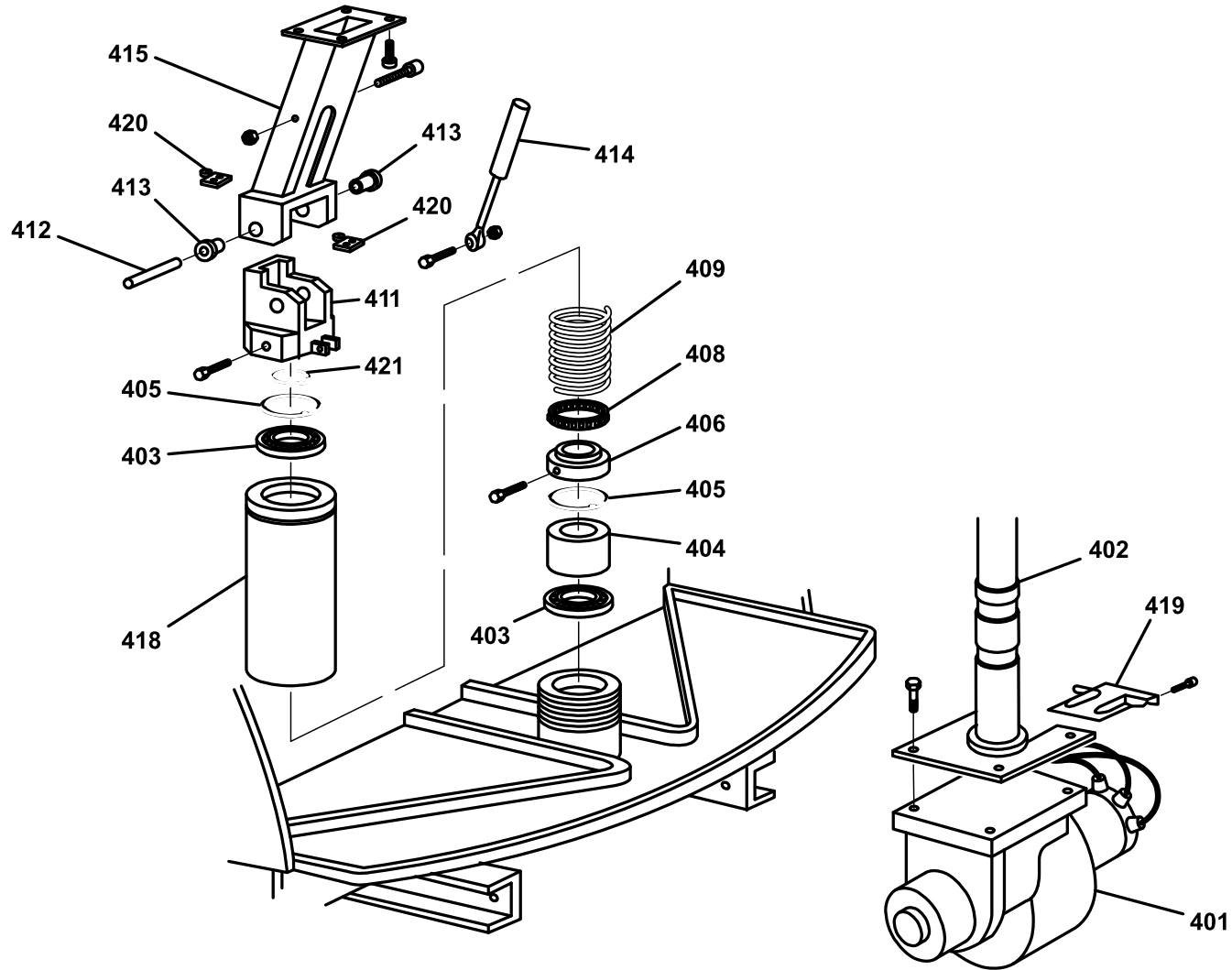



| POSITION | PART NUMBER   | DESCRIPTION  | NOTES   |
|----------|---------------|--|---|
| 250      | S0300171033   | PULLEY HOLDER LX12-16/16 PAINTED                         |   |
| 251      | S0306055043   | CAST IRON PULLEY PIN HOLDER BURNISHED                    |   |
| 252      | G010401       | BEARING 6204 2RS (20-47-14)                              |   |
| 253      | S0300158042   | MACHINED PULLEY (CAST IRON) FOR STACKER 12Q SINGLE CHAIN |   |
| 254      | G062104       | FLAYER CHAIN PIN BL544 D6x29                             |   |
| 255      | G087008       | MALE CAP DIN 908 GAS TMT 3/8"                            |   |
| 256      | G085005       | VALVOLA VUBA 3/8" FORO 0.8 CILINDRO LX VUBA0600F08       |   |
| 257      | G062006       | FLAYER CHAIN STUB BL534-69P                              |   |
| 258      | GP90035       | GASKET CYLINDER LX16/16 NEW                              |   |
| 259      | ▲ S030618140  | DESCRIPTION N/A  | Attention: this item is valid for machines produced until 07/10/2001<br>Interchangeable: NO |
| 259      | ▲ S030618140  | DESCRIPTION N/A  | Attention: this item is valid for machines produced until 07/10/2001<br>Interchangeable: NO |
| 259      | ▲ S000026101  | PISTON LX 16/16  | Attention: this item is valid for machines produced from 08/10/2001<br>Interchangeable: NO  |
| 259      | ▲ S000026101  | PISTON LX 16/16  | Attention: this item is valid for machines produced from 08/10/2001<br>Interchangeable: NO  |
| 260      | S0306186068   | CYLINDER SPACER L. 5 LX 16/16                            |   |
| 261      | S0306180348   | COMPLETE CYLINDER LX 16/16 PAINTED                       |   |
| 262      | ▲ S0306181038 | CYLINDER NUT RING LX 16/16                               | Attention: this item is valid for machines produced until 07/10/2001<br>Interchangeable: NO |
| 262      | ▲ S0306181038 | CYLINDER NUT RING LX 16/16                               | Attention: this item is valid for machines produced until 07/10/2001<br>Interchangeable: NO |
| 262      | ▲ S000025401  | CYLINDER RING NUT LX 12 '01                              | Attention: this item is valid for machines produced from 08/10/2001<br>Interchangeable: NO  |
| 262      | ▲ S000025401  | CYLINDER RING NUT LX 12 '01                              | Attention: this item is valid for machines produced from 08/10/2001<br>Interchangeable: NO  |
| 263      | S0306183060   | PISTON ROD LX 16/16                                      |   |
| 264      | S0300185013   | CHAIN HOLDER LX 12-14-16 ZINC PLATED                     |   |

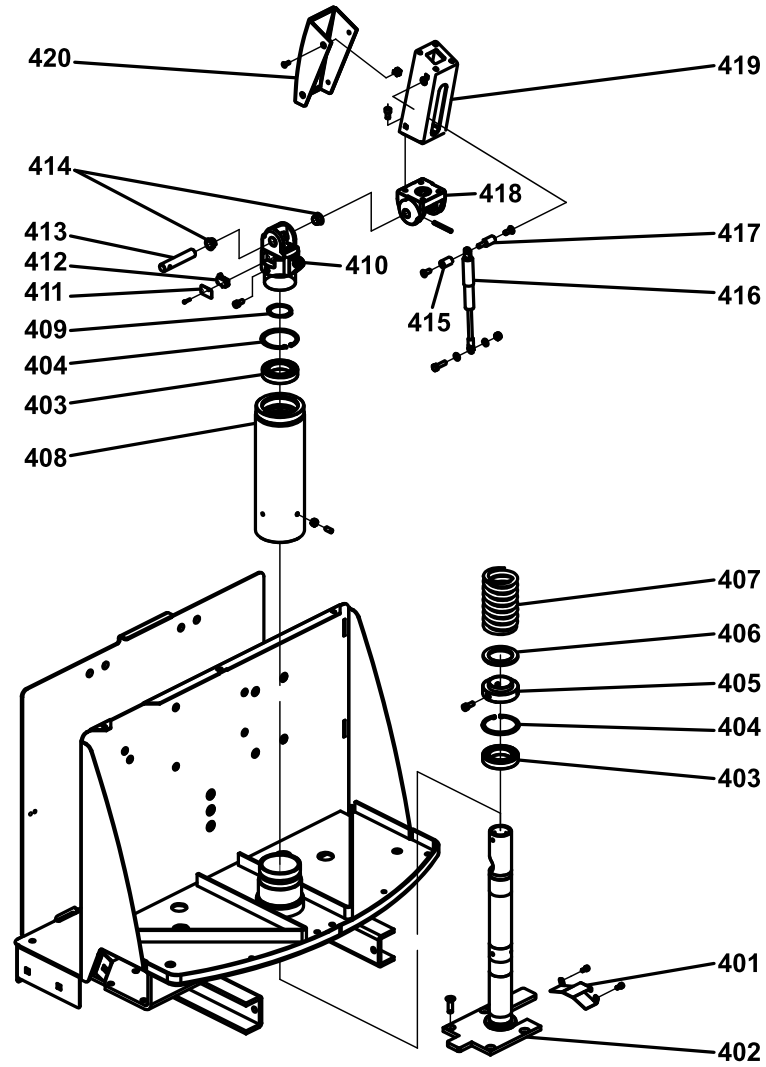


| POSITION | PART NUMBER | DESCRIPTION                                  | NOTES |
|----------|-------------|--|-------|
| 300      | G081022     | HYDRAULIC UNIT 224253001 UP100 (LX12 - LX16) |       |
| 301      | G082235     | BODY UP100K35+OIL SEAL (200740420141)        |       |
| 302      | G082236     | CAP 00VC00 MDM140 (200978400140)             |       |
| 303      | G082190     | VALVE CAP T817/0(HIDR.778800040)             |       |
| 304      | G082237     | CAP TCEI 1/4 (200527360201)                  |       |
| 306      | G082165     | BODY GASKET SET UP100                        |       |
| 307      | G082168     | PUMP AP100/3,5 S.409+COP.748240010           |       |
| 308      | G082239     | TANK UP100 P08 (200973450160)                |       |
| 309      | G082240     | CAP TP SF. 1/2" (200527060502)               |       |
| 310      | G082227     | TANK CLAMPING SET PL. UP100 6-14L.           |       |
| 311      | G082241     | SUCTION SET (200759900940)                   |       |
| 312      | G082090     | FILTER CONV.150 MICRON (757500070)           |       |
| 313      | PLH00004    | ENGINE 24V 2.2Kw                             |       |
| 314      | G082242     | JOINT COMPLETEE145-E163                      |       |
| 315      | G082147     | New code PLH00004                            |       |
| 316      | G082127     | COMPLETE RELAY 24V C.C. P.C-E-F-G (EF.)      |       |
| 318      | PCI00004    | DOOR BROOMS HYDRAULIC MOTOR                  |       |

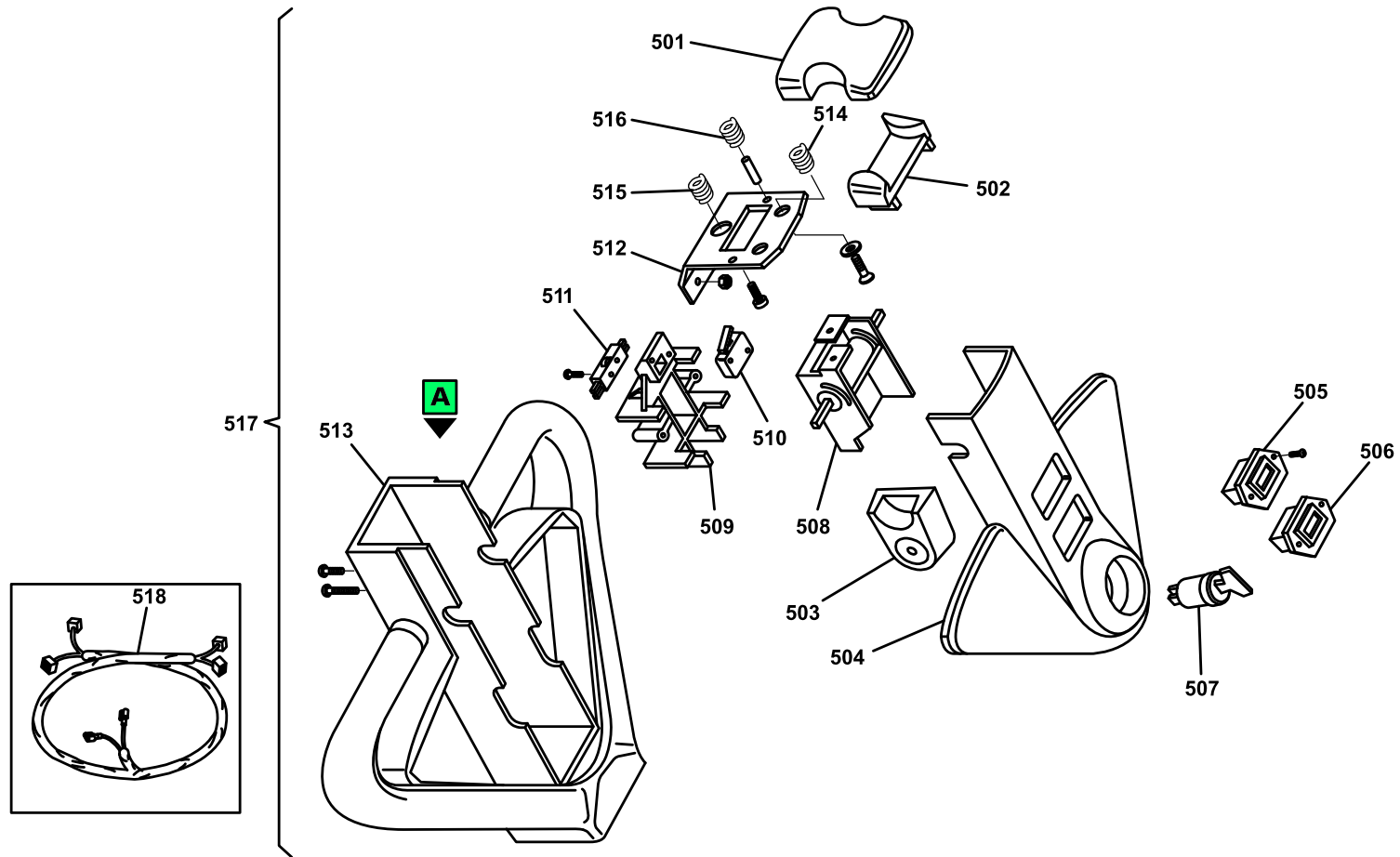




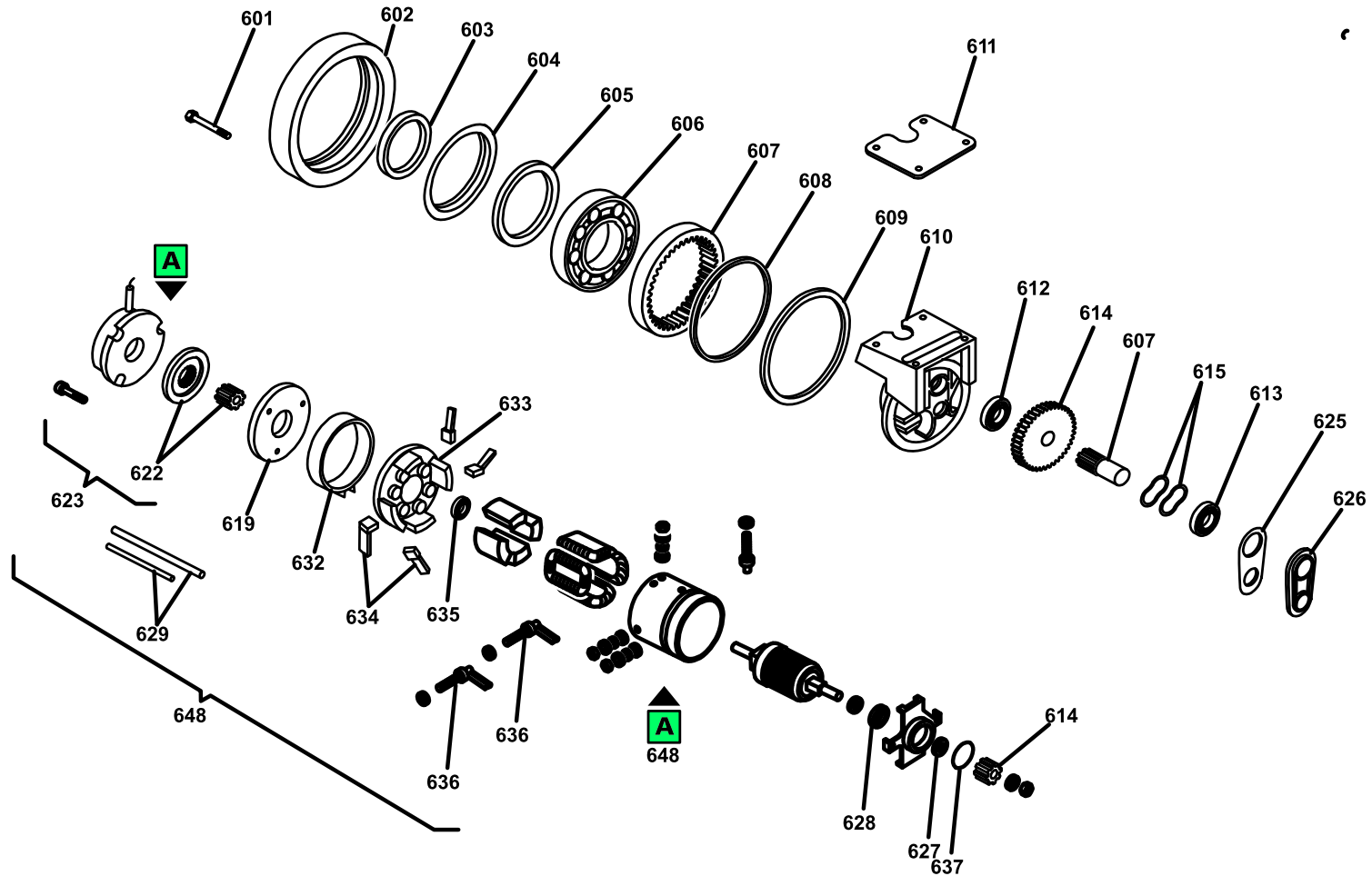
| POSITION | PART NUMBER   | DESCRIPTION                                 | NOTES   |
|----------|---|---|---|
| 401      | G074428   | MOTOR WHEEL SEPARATED EXCITATION 1.2KW LX16 |   |
| 402      | S0303180337   | MOTOR WHEEL SUPPORT LX 16 PAINTED           |   |
| 403      | G010214   | BEARING 6010 2RS(50-80-16)                  |   |
| 404      |  S0303018002 | MOTOR WHEEL SLIDING BUSHING L10             | Attention: this item is valid for machines produced with serial number from 2003HL000541<br>Interchangeable: NO |
| 405      | G042280   | INNER SEEGER 7436 I 80                      |   |
| 406      | S0303016030   | MOTOR WHEEL SHAFT WASHER L10                |   |
| 408      | S0313080057   | COMPLETE MOTOR BEARING STACKER              |   |
| 409      | G001141   | SPRING De78 F.11x185 P.22 x L10-L16-L/VT    |   |
| 411      | POKI00006   | TILLER KIT L/K20                            |   |
| 412      | S0304013027   | HANDLE PIN GX-LX-K20 "BURNISHED"            |   |
| 413      | G016353   | SELF-LUBRICATING BUSHING 20x28x35 L=20      |   |
| 414      | G001728   | GAS SPRING GX AMA R20 Z10 LTA 255 mm 170 N  |   |
| 415      | S0304010142   | HANDLE SUPPORT PAINTED "L"-"K20"            |   |
| 418      | S0303010139   | SPRING LOADER LX-GX ZINC PLATED             |   |
| 419      | S0303010153   | MOTOR WHEEL WIRING BRACKET L10-L16          |   |
| 420      | G075004   | MICROSWITCH FOR TOW BAR L10                 |   |
| 421      | G042150   | OUTER SEEGER 7435 E 50                      |   |



| POSITION | PART NUMBER      | DESCRIPTION                                 | NOTES |
|----------|------------------|---|-------|
| 401      | S0303010153      | MOTOR WHEEL WIRING BRACKET L10-L16          |       |
| 402      | S0303180337      | MOTOR WHEEL SUPPORT LX 16 PAINTED           |       |
| 403      | G010214          | BEARING 6010 2RS(50-80-16)                  |       |
| 404      | G042280          | INNER SEEGER 7436 I 80                      |       |
| 405      | S0303016030      | MOTOR WHEEL SHAFT WASHER L10                |       |
| 406      | S0313080057      | COMPLETE MOTOR BEARING STACKER              |       |
| 407      | G001141          | SPRING De78 F.11x185 P.22 x L10-L16-L/VT    |       |
| 408      | S0303010139      | SPRING LOADER LX-GX ZINC PLATED             |       |
| 409      | G042150          | OUTER SEEGER 7435 E 50                      |       |
| 410      | V000044101-90050 | SUPPORTO TIMONE GX-LX '03 VERN              |       |
| 411      | G09416           | TILLER SWITCH PROTECTION PLATE GX-LX '03    |       |
| 412      | G075004          | MICROSWITCH FOR TOW BAR L10                 |       |
| 413      | S000025501       | TILLER PIN GX-LX '03 BURNISHED              |       |
| 414      | G016307          | BOCCOLA FLANGIATA DU 18-20                  |       |
| 415      | S000025503       | TILLER SPACER GX-LX '03                     |       |
| 416      | G001728          | GAS SPRING GX AMA R20 Z10 LTA 255 mm 170 N  |       |
| 417      | S000025502       | BURNISHED TILLER SCREW-NUT SPACER GX-LX '03 |       |
| 418      | V000044102-90050 | TILLER BRACKET GX-LX '03 PAINTED            |       |
| 419      | V09415-9005      | TILLER BOX GX-LX '03 PAINTED                |       |
| 420      | S000025901       | COPERCHIO TIMONE GX-LX '03                  |       |

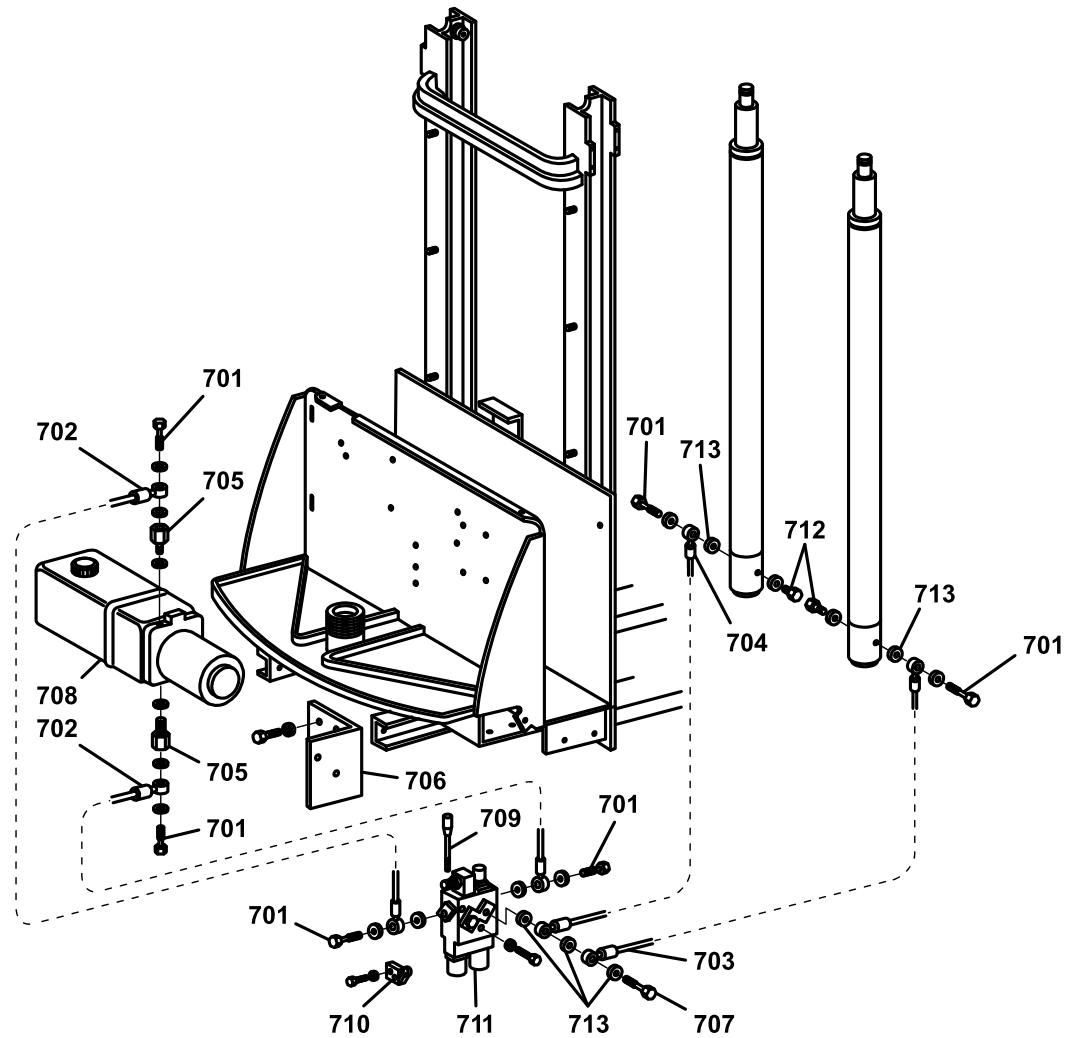


| POSITION | PART NUMBER   | DESCRIPTION                                   | NOTES   |
|----------|---------------|---|---|
| 501      | S0304178033   | HANDLE EMERGENCY '00                          |   |
| 502      | S0304178032   | HANDLE HORN ROCKER SWITCH '00                 |   |
| 503      | S0304178031   | HANDLE BUTTERFLY '00                          |   |
| 504      | S0304178035   | HANDLE COVER '00 x LX                         |   |
| 505      | G079005       | BATTERY LEVEL GAUGE CURTIS                    |   |
| 506      | G079018       | HOUR METER CURTIS                             |   |
| 507      | G078058       | KEY BLOCK RCH (RCH REGHEL)                    |   |
| 508      | G077002       | ELECTRONIC THROTTLE ET160                     |   |
| 509      | S0304178034   | HANDLE POTENTIOMETER SUPPORT '00              |   |
| 510      | G075017       | MICROSWITCH XG52-J21                          |   |
| 511      | G075016       | MICROSWITCH 5A 250V                           |   |
| 512      | G07330        | HANDLE EMERGENCY SUPPORT PLATE '00            |   |
| 513      | S0304178044   | COATED HANDLE '00 (POLY)                      |   |
| 514      | G001132       | SPRING De11 WIRE 1 - 4 TURNS L10 MOL/ZN       |   |
| 515      | G001134       | SPRING De12,3 F1 - 9 TURNS - L=24 ZINC PLATED |   |
| 516      | G001131       | SPRING De5,6 F0,5 - 10 TURNS L20 ZINC PLATED  |   |
| 517      | ▲ S0304190101 | HANDLE '00 COMPLETE STACKER LX                | Attention: this item is valid for machines produced from 26/11/2002 until 07/09/2006<br>Interchangeable: NO |
| 517      | ▲ S000025026  | TIMONIERA COMPLETA '05 FX - LX                | Attention: this item is valid for machines produced from 07/09/2006<br>Interchangeable: NO                  |
| 518      | ▲ S0319012001 | CABLE TILLER L/G (CURTIS)                     | Attention: this item is valid for machines produced from 26/11/2002 until 07/09/2006<br>Interchangeable: NO |
| 518      | ▲ P0CD00022   | TILLER HARNESS '05 FX -LX                     | Attention: this item is valid for machines produced from 07/09/2006<br>Interchangeable: NO                  |



| POSITION | PART NUMBER | DESCRIPTION   | NOTES |
|----------|-------------|---|-------|
| 601      | G073242     | SCREW WHEEL   |       |
| 602      | G073301     | RUBBER RING FOR MOTORWHEEL L16 NEW /LX16/LX14-45/LX14-45 A.L. |       |
| 602      | G073311     | MOTOR WHEEL ADIPRENE RING L16 NEW                             |       |
| 602      | G073329     | MOTOR WHEEL ECOLOGIC RUBBER RING L16 NEW                      |       |
| 603      | G073006     | MOTOR WHEEL RING  |       |
| 604      | G073302     | PROTECTION RING   |       |
| 605      | G073303     | New code G073302  |       |
| 606      | G073009     | BEARING   |       |
| 607      | G073304     | RETURN PINION + RING GEAR 8 HOLES                             |       |
| 608      | G073305     | O-RING FOR CROWN WHEL   |       |
| 609      | G073306     | MOTOR WHEEL GASKET  |       |
| 610      | G073307     | MOTOR WHEEL CASTING   |       |
| 611      | G073011     | MOTOR WHEEL GASKET  |       |
| 612      | G073247     | BEARING   |       |
| 613      | G073026     | BEARING 16006   |       |
| 614      | G073029     | PINION + DRIVER WHEEL   |       |
| 615      | G073030     | COMPENSATION RING   |       |
| 619      | G073089     | BRAKE HOLDER PLATE  |       |
| 622      | G073308     | BRAKE LINING + HUB  |       |
| 623      | G073091     | ELECTRIC BRAKE 24V D100 B3139/15p 5 HOLE 11mm.                |       |
| 625      | G073013     | GASKET  |       |
| 626      | G073014     | COVER   |       |
| 629      | G073067     | TENSION ROD+TUBE  |       |
| 632      | G073032     | PADDLED CLAMP   |       |
| 633      | G073019     | SLIP SUPPORT  |       |
| 634      | G073068     | BRUSHES KIT MOTOR 24V   |       |
| 635      | G073249     | SLIP BEARING 6201 2RSRC3                                      |       |
| 648      | G073339     | COMPLETE MOTOR LX16   |       |





| POSITION | PART NUMBER | DESCRIPTION  | NOTES |
|----------|-------------|--|-------|
| 701      | G084001     | SCREW PERFORATE (4 HOLES ) 3/8" L 29 -0,5/0 CH22                                   |       |
| 702      | G083013     | TUBE R1AT 3/8"   |       |
| 703      | G083002     | TUBO EN853 2SN 3/8" L=880 OCCHIO 3/8" - OCCHIO 3/8" - H OCCHIO 17,5+/-0,2 FORO 3/8 |       |
| 704      | G083012     | TUBE R1AT 3/8"   |       |
| 705      | G084112     | ADAPTER MALE 1/4 FEMALE 3/8  |       |
| 706      | S0300177019 | DISTRIBUTOR CONNECTION LX 12-16 PAINTED  |       |
| 707      | G084002     | SCREW PERFORATE DOUBLE (8 HOLES) 3/8" L 49 -0,5/0 CH22                             |       |
| 708      | G081022     | HYDRAULIC UNIT 224253001 UP100 (LX12 - LX16)                                       |       |
| 709      | G085004     | LEVER STICK AL001 HDM10 M08X125  |       |
| 710      | G075004     | MICROSWITCH FOR TOW BAR L10  |       |
| 711      | G085008     | DISTRIBUTOR HDM140K02 151/MOD.1/429Z3+VALVOLA                                      |       |
| 712      | G087007     | MALE CAP 3/8 TME30/8 GAS   |       |
| 713      | G096109     | RUBBER-METAL WASHER RGM 3/8"   |       |