

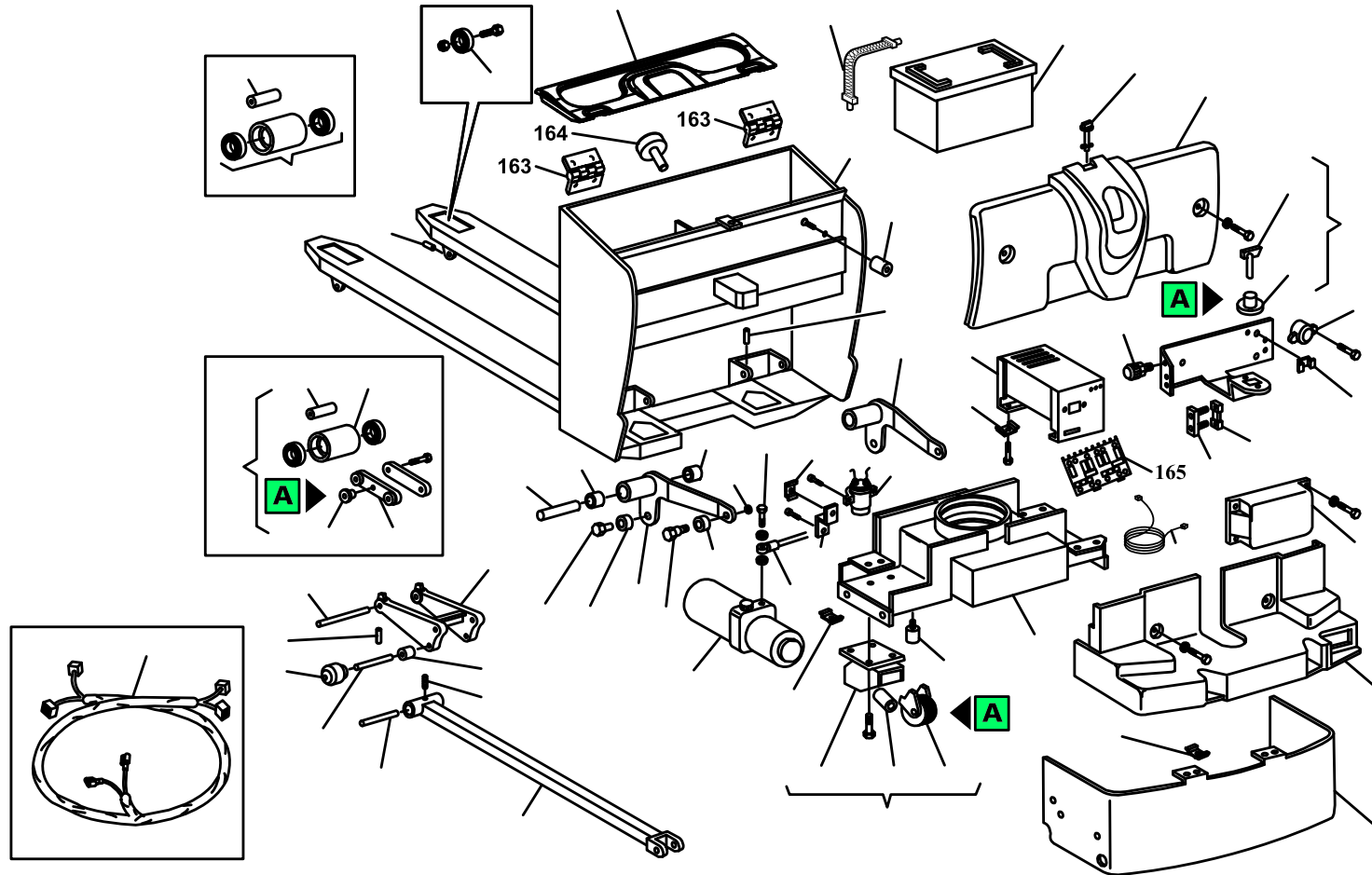
Spare Parts Catalogue

CX14-1150X525

Electronic pallet trucks

Valid for machine code: EC241000000

Revision: 0 (11/2006)

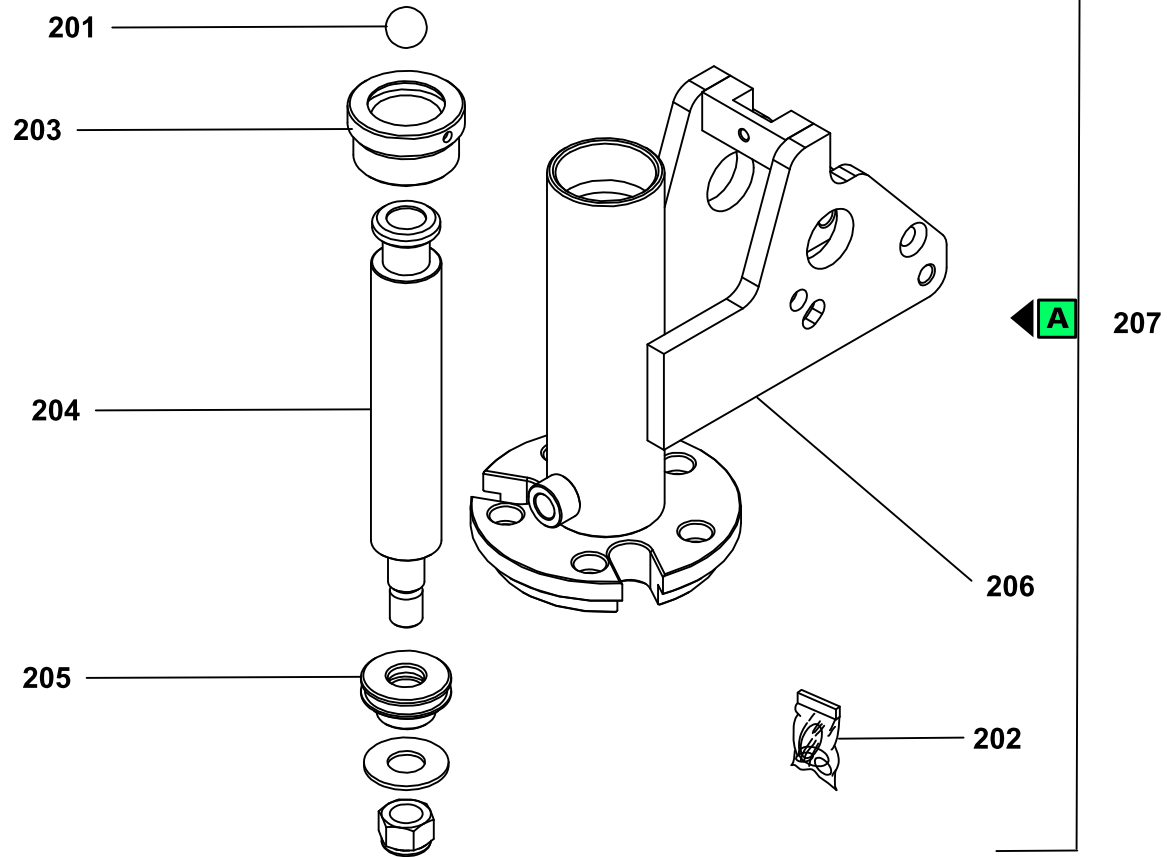


POSITION	PART NUMBER	DESCRIPTION	NOTES
2	G034903	CAGE NUT M8 ZN	
100	▲ P0CD00003	CAVI CABLAGGIO ELETTRICO COMPLETO CX	Attention: this item is valid for machines produced until 26/11/2002 Interchangeable: NO
100	▲ P0CD00040	WIRING '02 CX14	Attention: this item is valid for machines produced from 26/11/2002 until 15/11/2006 Interchangeable: NO
100	▲ P0CD00024	KIT WIRING '05 CX 14	Attention: this item is valid for machines produced from 15/11/2006 until 28/05/2007 Interchangeable: NO
100	▲ P0CD00027	KIT CABLES CX14 - terminal Up-Lok	Attention: this item is valid for machines produced from 28/05/2007 Interchangeable: NO
101	▲ V000015073-PRAMAC	PAINTED FRAME 1150x525 CX14 '07	Attention: this item is valid for machines produced with serial number from PLI0018451 Interchangeable: NO
101	▲ V000015001-PRAMAC	TELAIO CX14 1150x525 VERN.VERDE PRAMAC	Attention: this item is valid for machines produced with serial number until PLI0018450 Interchangeable: NO
102	G075116	HORN 3/28V VDC KPE-200 FOR CX14	
104	G075220	KEY x BATTERY DISCONNECTING SWITCH	
105	G075102	BATTERY DISCONNECTING SWITCH 1 POLE	
106	G070603	FUSE HOLDER x FUSE 160Amp	
107	G077540	FUSE 160A (RFM REGHEL)	
108	G070625	FUSE HOLDER SCREW CAP + FUSE 6.3A	
109	G034904	CAGE NUT M6 GALV. (TH. 1.8-2.6 8.3x8.3)	
110	▲ P3SD00026	EL. BOARD PRAMAC PMD24150/PR1-150A 24V '06 GX-II EDITION / CX14 no turtle	Attention: this item is valid for machines produced with serial number from PLI0010150 until PLI0011200 Interchangeable: NO
110	▲ G076091	PRAMAC CONTROLLER PMD24150/PR1-150A 24V '06 GX	Attention: this item is valid for machines produced with serial number from PLI0011201 Interchangeable: NO
110	▲ G075050	PRAMAC CONTROLLER RF050H70-120A x GX 10	Attention: this item is valid for machines produced with serial number until PLI0010150 Interchangeable: NO
111	PTB00019	CABLE 3x0.75 IECSK	
112	▲ G008002	OPEN FRAME BATTERY CHARGER 13A-24V 220V CX14	Attention: this item is valid for machines produced with serial number until LLI0035821 Interchangeable: YES
112	▲ S000015930	HIGH FREQUENCY BATTERY CHARGER 12-24V 11,5A BRACKET CX14 + CABLE IEC-SCHUKO 2m	Attention: this item is valid for machines produced with serial number from LLI0035821 Interchangeable: YES
113	G099300024	STARTER BATTERY 12 V - 70 Ah C/20 DIM. MAX 275x175x190	
114	G000125	BATTERY ELASTIC WEBBING CX14	
115	G082127	COMPLETE RELAY 24V C.C. P.C-E-F-G (EF.)	
116	▲ G040056+G040058+G040057	DESCRIPTION N/A	Attention: this item is valid for machines produced with serial number until PLI0018450 Interchangeable: NO
117	▲ S000015918	UPPER COVER CX14 '07	Attention: this item is valid for machines produced with serial number from PLI0018451 Interchangeable: NO

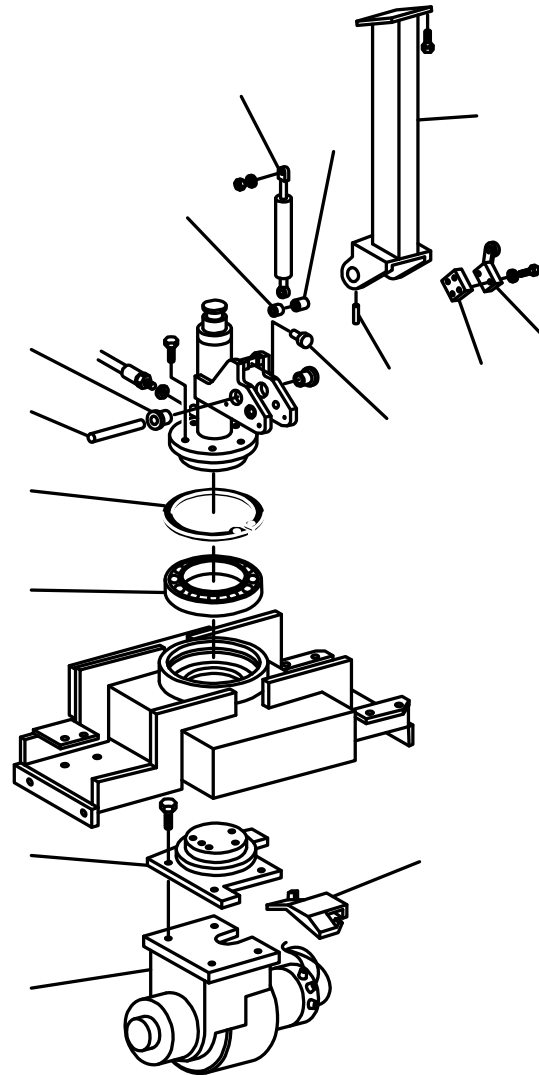
POSITION	PART NUMBER	DESCRIPTION	NOTES
117	▲ S000015902	UPPER GUARD CX14	Attention: this item is valid for machines produced with serial number until PLI0018450 Interchangeable: NO
118	▲ S000015901	LOWER GUARD CX14	Attention: this item is valid for machines produced until 22/07/2011 Interchangeable: NO
118	▲ S000015923	BOTTOM SIDE BONNET COVER CX 14 '11	Attention: this item is valid for machines produced from 22/07/2011 Interchangeable: NO
119	V09092-PRAMAC	MOTOR WHEEL PROTECTION CX14 GREEN PAINTED PRAMAC	
121	S000015023	SUPPORT CX14 ZINC PLATED	
122	S0313012003	PIN STOPPER MOTOR WHEEL G10	
123	G053318	POLYURETHANE SPRUNG WHEEL D100x40 SRP/EE	
124	G053409	CASTOR SPG100 MOLL. + BUSHINGS B14 x K20	
125	G053319	POLYURETHANE WHEEL D100x40/40 WITH BEARINGS	
126	G053410	SPRUNG FOR STABILIZER WHEEL K20	
127	G034902	CAGE NUT M8 ZN (URAMA Q08-55)	
128	G09368	LOWER GUARD SUPPORT CX14	
129	S000015021	RIGHT SIDE SEMI-BALANCING CX14 ZINC PLATED	
130	S000015022	LEFT SIDE SEMI-BALANCING SX CX14 ZINC PLATED	
130	S000015022	LEFT SIDE SEMI-BALANCING SX CX14 ZINC PLATED	
131	S000015503	SEMI-ROCKER ARM AXLE CX14	
132	G016351	SELF-LUBRICATING BUSHING 20x25x20	
133	G016303	SELF-LUBRICATING BUSHING DU 20x23x30	
134	S000015507	CAM CX14	
135	S000015504	CROSS SCREW CX14	
136	S0004018002	BODY PUMP BUSHING GS (20x22x10)	
137	G041809	PLAIN WASHER 21x37x1 ZN	
138	G084006	SCREW PERFORATE (4 HOLES) 1/4" L GAMBO 25 -0,5/0 CH19	
139	G083024	TUBE R1AT 1/4"	
140	G081014	HYDRAULIC UNIT CX 14 '10	
141	V000015009-9005	ROD CX14 L1150 PAINTED BLACK RAL9005	
142	S000015508	PUSH ROD-CLEVIS PIN CX14	
143	G044317	ELASTIC PEG 6873 D 6x24	
144	S000031020	GEOMET DOUBLE CLEVIS GS SILENCE	
145	S0002205039	TANDEM CONNECTION PIN GS	
146	G044319	ELASTIC PEG SPIROL 8748 D4x30	
147	G056104	EXIT NYLON ROLLER D38 GS	
148	S0002205040	REFERENCE PIN GS	
149	G016301	SELF-LUBRICATING BUSHING DU 16x18x25	

POSITION	PART NUMBER	DESCRIPTION	NOTES
150	S0002010134	POLYURETHANE ROLLER D82x60 + BEARING	
151	S0012035029	TANDEM ROLLER SPACER GS	
152	S000015303	ROCKER TANDEM CX14 ZINC PLATED	
153	S000015906	TANDEM BUSHING CX14	
154	P0P900001	LOAD WHEEL ASSY CX 14	
155	S0002206023	SINGLE ROLLER SPACER GS	
156	S0112020093	POLYURETHANE ROLLER D82x80 + BEARINGS	
157	G056103	ENTRY ROLLER FORK TP/E-GS	
158	▲ S000015917	BATTERY COVER CX14 '07	Attention: this item is valid for machines produced with serial number from PLI0018451 Interchangeable: NO
158	▲ S000015903	BATTERY GUARD CX14	Attention: this item is valid for machines produced with serial number until PLI0018450 Interchangeable: NO
159	S000015210	UPPER HOOD SUPPORT CX14	
160	G044342	ELASTIC PEG SPIROL 8748 D 6x40	
161	G044341	ELASTIC PEG SPIROL 8748 D 6x32	
162	G09374	CONNECTOR HOLDING PLATE CX14	
163	▲ G040444	BATTERY COVER HINGE CX/QX '07	Attention: this item is valid for machines produced with serial number from PLI0018451 Interchangeable: NO
164	▲ G052178	SILENT M BLOCK 20X08 M-20X08-M6X18-60 60 HOOD BATTERY CX14/ QX20ACS	Attention: this item is valid for machines produced with serial number from PLI0018451 Interchangeable: NO
165	▲ PTB00001	ELECTRONIC BOARD FOR OPEN BATTERY CHARGER CX PLUS/CX/GX10/ TX12/GX12	Attention: this item is valid for machines produced with serial number until LLI0035821 Interchangeable: NO
165	▲ PTB00014	RECTIFIER CARD HIGH FREQUENCY 24V 11.5A CBHD1 CX14	Attention: this item is valid for machines produced with serial number from LLI0035821 Interchangeable: NO

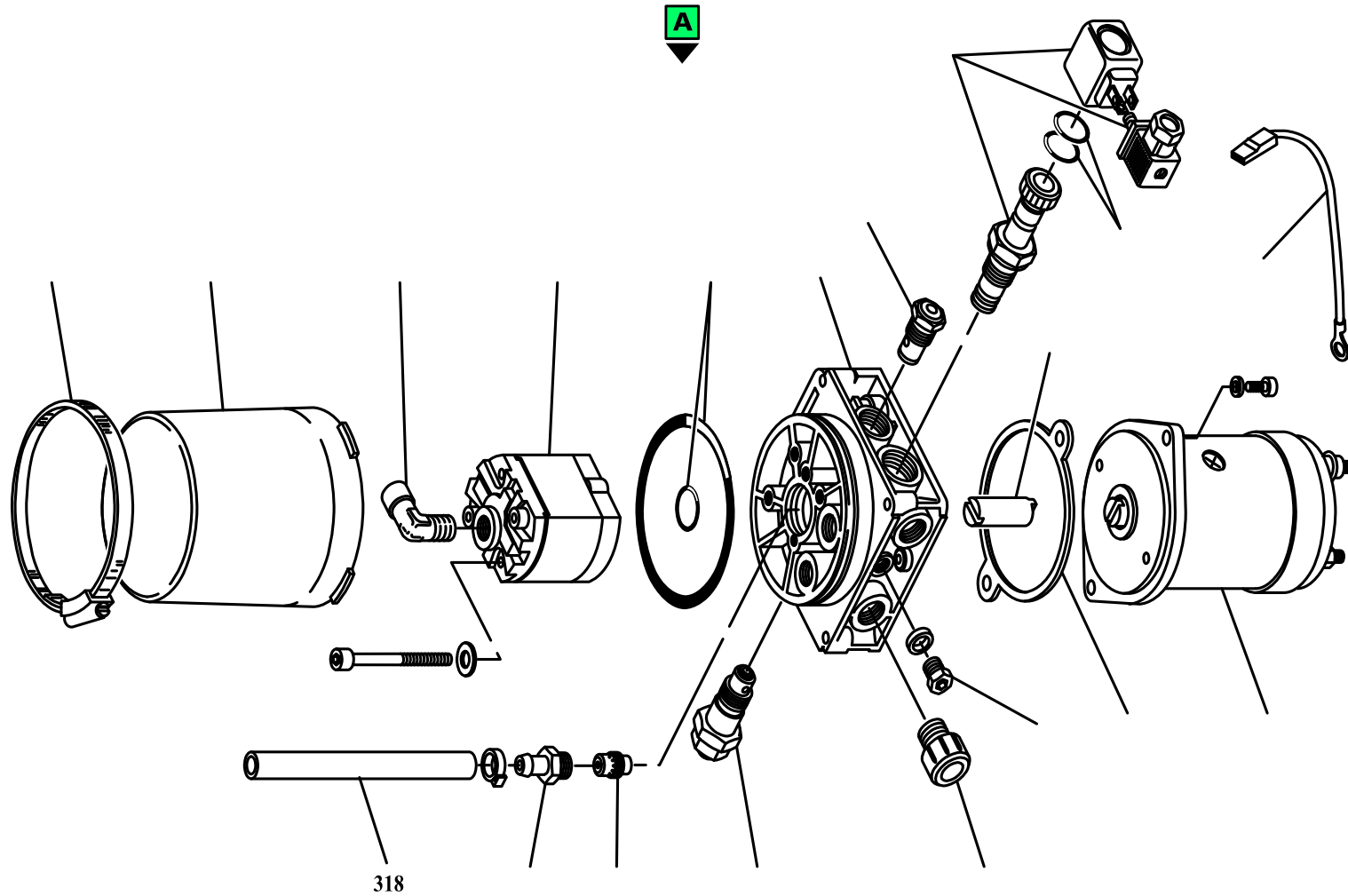
POSITION	PART NUMBER	DESCRIPTION	NOTES
201	G016109	BALL 11/16" (mm17,462) BALL 4	
202	P0KI00001	GASKET SET CX14	
203	S000015101	CYLINDER RING NUT CX14	
204	S000015506	PISTON ROD CX14	
205	S000015212	PISTON CX14	
206	S000015029	CYLINDER CX14 (WELDED)	
207	S000015069	COMPLETE CX14 CYLINDER '07	



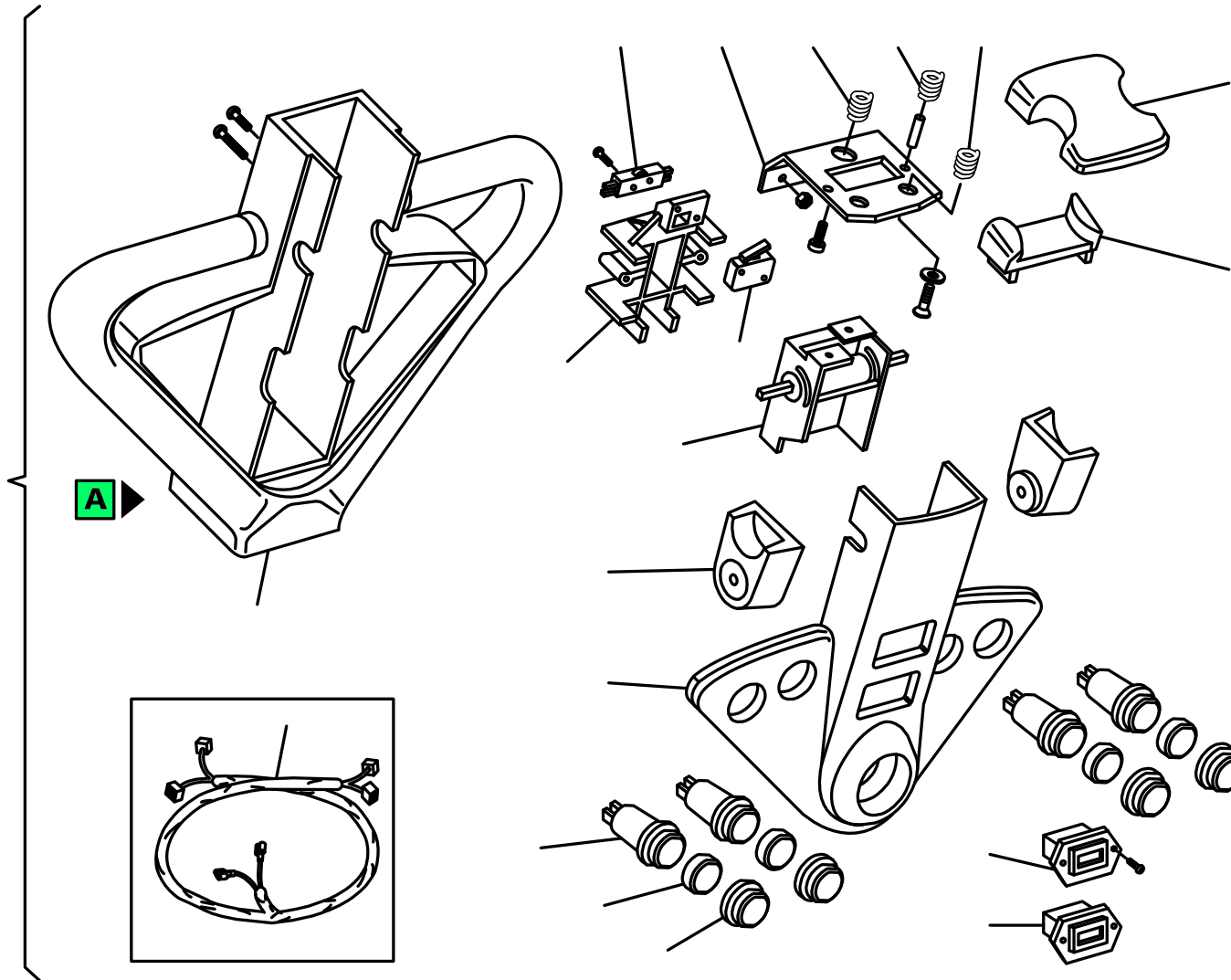
POSITION	PART NUMBER	DESCRIPTION	NOTES
201	G016109	BALL 11/16" (mm17,462) BALL 4	
202	P0KI00001	GASKET SET CX14	
203	S000015101	CYLINDER RING NUT CX14	
204	S000015506	PISTON ROD CX14	
205	S000015212	PISTON CX14	
206	S000015070	WELDED CX14 CYLINDER '07	
207	S000015069	COMPLETE CX14 CYLINDER '07	



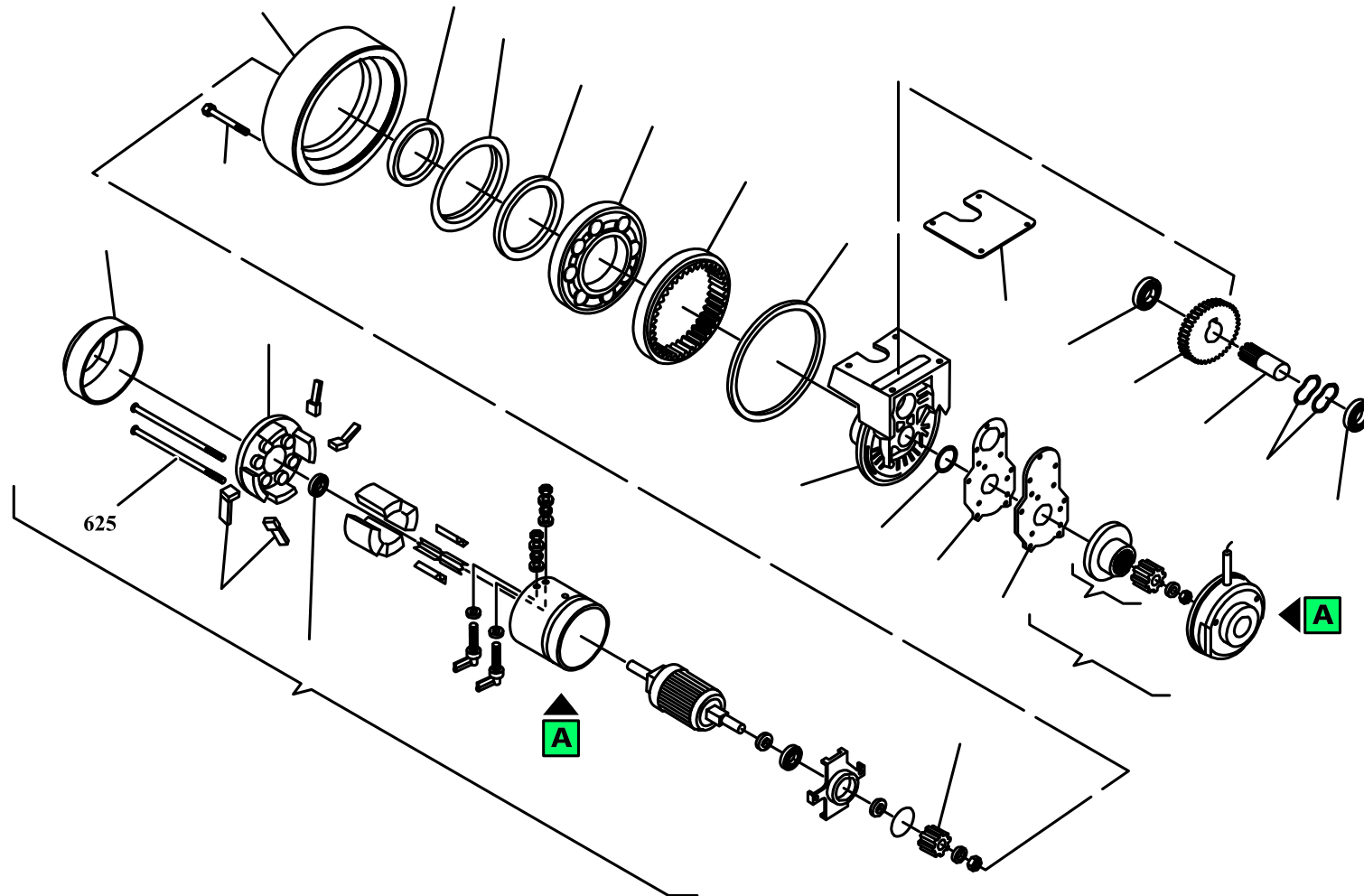
POSITION	PART NUMBER	DESCRIPTION	NOTES
401	G074431	MOTOR WHEEL 700W 24V PERMANENT MAGNET x CX14	
402	S0303010153	MOTOR WHEEL WIRING BRACKET L10-L16	
403	S000015024	FLANGE MOT. CX14 ZINC PLATED	
404	G010411	BEARING 6020 RS (100-150-24)	
405	G042204	INNER SEEGER 7437 I150	
406	S000015502	HANDLE PIN CX14	
407	G016353	SELF-LUBRICATING BUSHING 20x28x35 L=20	
408	-	DESCRIPTION N/A	
409	S000015208	GAS SPRING SPACER LEFT SIDE SX CX14	
410	S000015207	GAS SPRING SPACER RIGHT SIDE CX14	
411	G001729	GAS SPRING CX 14 AMA R20 S16 LTA 225mm 500 N	
412	V000015004-9005	HANDLE CX14 PAINTED BLACK RAL9005	
413	G075004	MICROSWITCH FOR TOW BAR L10	
414	S000015501	HANDLE MICROSWITCH SUPPORT CX14	
415	G044324	ELASTIC PEG SPIROL 8748 D 4x50	



POSITION	PART NUMBER	DESCRIPTION	NOTES
301	▲ PCY00001	HYDRAULIC POWER ENGINE CX14 EC.	Attention: this item is valid for machines produced Interchangeable: YES
301	▲ PCY2401800	HYDRAULIC UNIT MOTOR CX14	Attention: this item is valid for machines produced Interchangeable: YES
302	PCY00002019	HYDRAULIC UNIT GASKET SET CX14	
303	PCY60410900	JOINT HYDRAULIC UNIT CX14	
304	PCY49148400	OIL TANK CAP HYDRAULIC UNIT CX14	
305	PCY49103200	OIL TANK CAP HYDRAULIC UNIT CX14	
306	PCY21000021	VALVE MAX FOR HYDRAULIC UNIT CX14	
307	PCY49148200	LOWERING VALVE HYDRAULIC UNIT CX14	
308	PCY60511500	PIPE FITTING HYDRAULIC UNIT CX14	
309	PCY17050021	HYDRAULIC UNIT PUMP CX14	
310	PCY49119100	CLAMP HYDRAULIC UNIT CX14	
311	PCY61204200	OIL TANK HYDRAULIC UNIT CX14	
312	PCY49112800	PIPE FITTING HYDRAULIC UNIT CX14	
313	PCY61011600	HYDRAULIC UNIT BODY CX14	
314	PCY20018700	HYDRAULIC UNIT NON RETURN VALVE CX14	
315	PCY17000103	New code PCR300024	
316	▲ PCY00002	KIT SPAZZOLE+ PORTASPAZZOLE	Attention: this item is valid for machines produced Interchangeable: NO
316	▲ PCY00000028	MOTOR BRUSHES FOR HYDRAULIC UNIT CX14	Attention: this item is valid for machines produced Interchangeable: NO
317	PCY61200800	BODY PUMP GASKET FOR HYDRAULIC UNIT CX14	
318	PCY61206400	OIL HOSE	
390	G081014	HYDRAULIC UNIT CX 14 '10	



POSITION	PART NUMBER	DESCRIPTION	NOTES
500	▲ S000015905	HANDLE WIRING CX14	Attention: this item is valid for machines produced until 26/11/2002 Interchangeable: NO
500	▲ S000015907	HANDLE WIRING '02 CX14	Attention: this item is valid for machines produced from 26/11/2002 until 15/11/2006 Interchangeable: NO
500	▲ P0CD00026	TILLER HARNESS '05 CX 14 - terminal Up-Lok	Attention: this item is valid for machines produced from 15/11/2006 until 28/05/2007 Interchangeable: NO
500	▲ P0CD00029	TILLER WIRING '07 CX14 - terminal Up-Lok	Attention: this item is valid for machines produced from 28/05/2007 Interchangeable: NO
501	S0304178033	HANDLE EMERGENCY '00	
502	S0304178032	HANDLE HORN ROCKER SWITCH '00	
503	S0304178031	HANDLE BUTTERFLY '00	
504	S000015904	HANDLE COVER CX14	
505	G079005	BATTERY LEVEL GAUGE CURTIS	
506	G079018	HOUR METER CURTIS	
507	G077007	ELECTRONIC THROTTLE GPH/HT3 x GX10 WIRED	
508	S0304178034	HANDLE POTENTIOMETER SUPPORT '00	
509	G075017	MICROSWITCH XG52-J21	
510	G075016	MICROSWITCH 5A 250V	
511	G07330	HANDLE EMERGENCY SUPPORT PLATE '00	
512	S0304178044	COATED HANDLE '00 (POLY)	
513	G001132	SPRING De11 WIRE 1 - 4 TURNS L10 MOL/ZN	
514	G001134	SPRING De12,3 F1 - 9 TURNS - L=24 ZINC PLATED	
515	G001131	SPRING De5,6 F0,5 - 10 TURNS L20 ZINC PLATED	
516	G075104	UNIPOLAR BUTTON 16(6)A/250V LIFT/LOWERING "TIMONIERA '00"	
517	G075120	BLACK CAP FOR SINGLE POLE PUSHBUTTON SWITCH 16A	
517	G075119	GREEN CAP FOR SINGLE POLE PUSHBUTTON SWITCH 16A	
518	G075118	RUBBER PROTECTION CAP	
519	▲ S000015012	HANDLE '00 COMPLETE CX14	Attention: this item is valid for machines produced from 30/05/2005 until 15/11/2006 Interchangeable: NO
519	▲ S000015053	COMPLETE TILLER '05 GX DOUBLE CONTROL LIFTING	Attention: this item is valid for machines produced from 15/11/2006 until 28/05/2007 Interchangeable: NO
519	▲ S000015061	COMPLETE TILLER '07 CX 14	Attention: this item is valid for machines produced from 28/05/2007 Interchangeable: NO



POSITION	PART NUMBER	DESCRIPTION	NOTES
601	G073242	SCREW WHEEL	
602	PLC13265S	RUBBER RING GX12-CX14-TE	
602	G073243	MOTOR WHEEL RUBBER RING TE96/CX14/GX12	
602	G073331	MOTOR WHEEL ADIPRENE RING TE96/CX14/GX12	
603	G073006	MOTOR WHEEL RING	
604	G073302	PROTECTION RING	
605	G073007	MOTOR WHEEL GASKET	
606	G073009	BEARING	
607	G073260	PINION +CROWN WHEEL	
608	G073245	MOTOR WHEEL GASKET	
609	G073246	MOTOR WHEEL CASTING	
610	G073011	MOTOR WHEEL GASKET	
611	G073247	BEARING	
612	G073026	BEARING 16006	
613	G073029	PINION + DRIVER WHEEL	
614	G073030	COMPENSATION RING	
615	PLC90117	PROTECTION RING	
616	PLC13912	MOTOR WHEEL GASKET CX14	
617	PLC13716	BRAKE HOLDER PLATE CX14	
618	G073066	BRAKE LINING +HUB	
619	G073036	ELECTRIC BRAKE K1 HOLE CIMA 24V	
620	PLC35105	MOTOR FAN PROTECTION CX14	
621	G073019	SLIP SUPPORT	
622	G073068	BRUSHES KIT MOTOR 24V	
623	G073249	SLIP BEARING 6201 2RSRC3	
624	PLC30294	CX 14 DRIVE MOTOR	
625	PLC00001	Kit tirante motore Cx	