

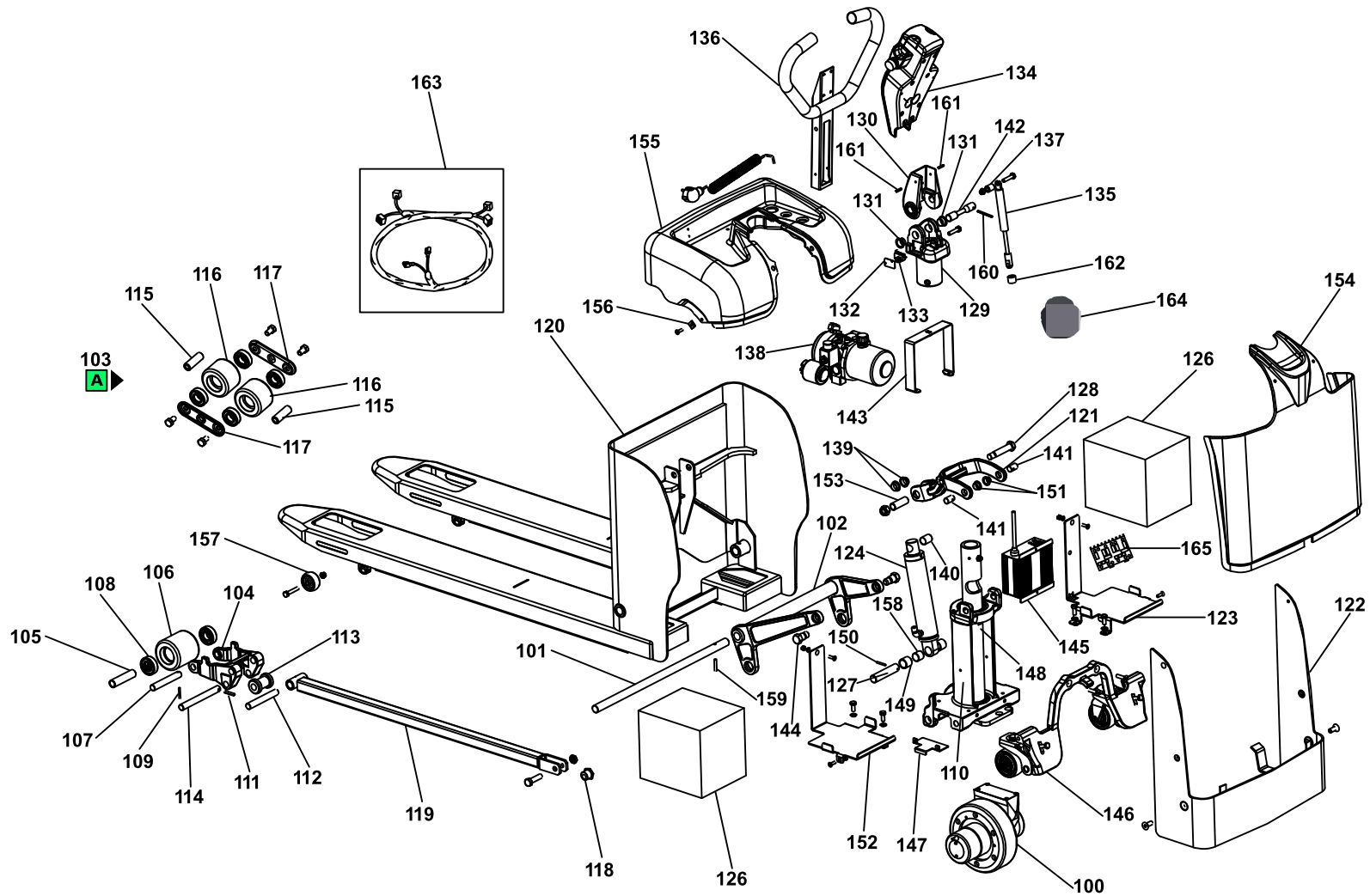
Spare Parts Catalogue

CX12-S2-1150X520-GEL

Electronic pallet trucks

Valid for machine code: EC149C00000

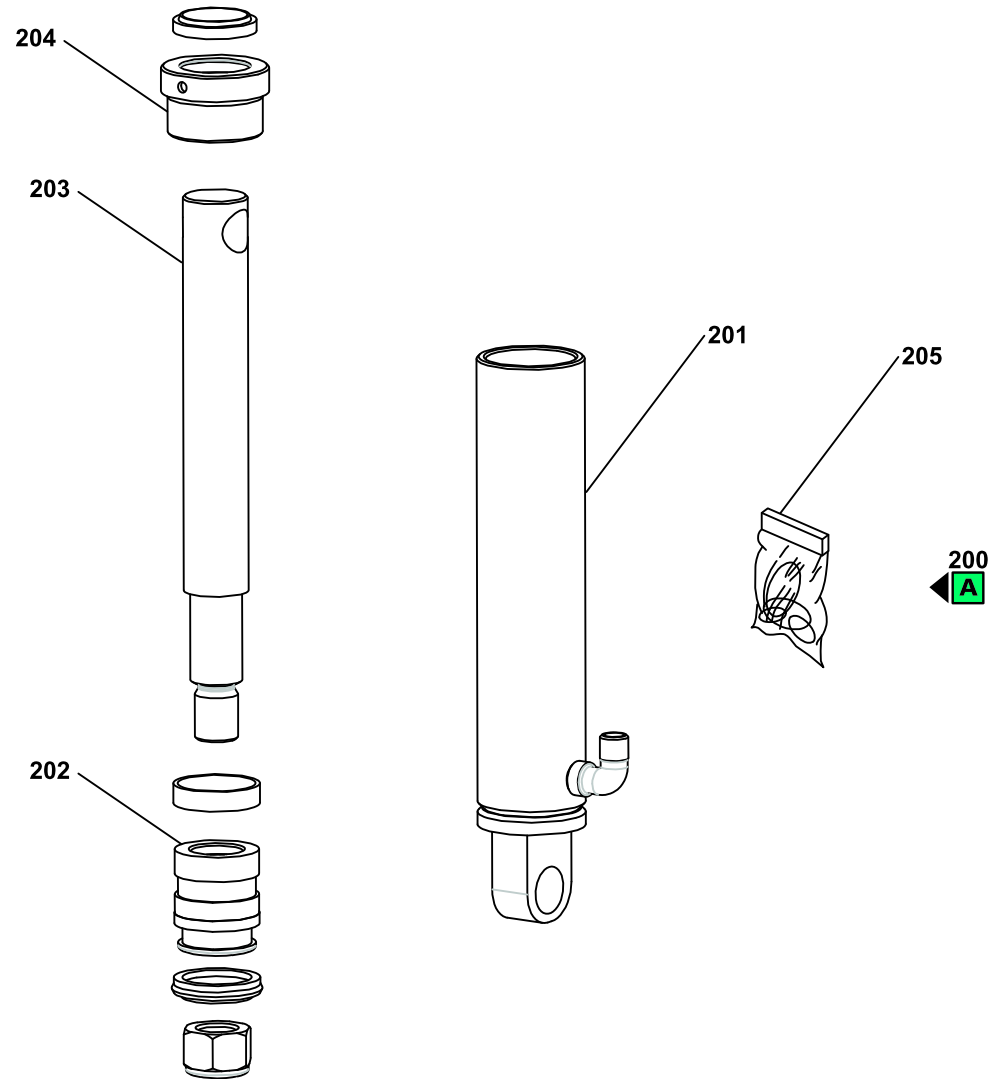
Revision: 0 (05/2011)



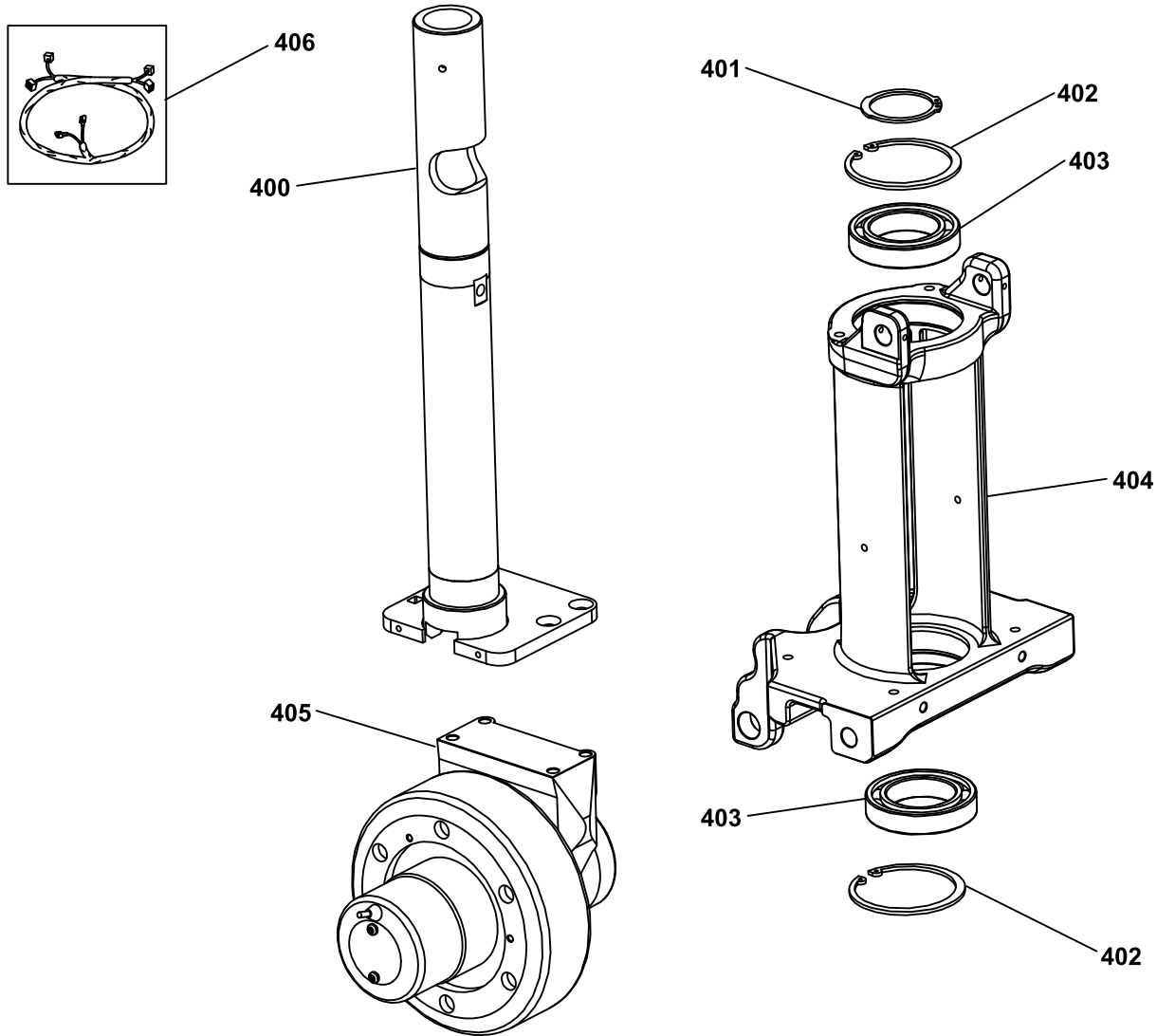
POSITION	PART NUMBER	DESCRIPTION	NOTES
100	▲ G074454	DRIVE-WHEEL 400W 24V CIMA MINI G CX12	Attention: this item is valid for machines produced with serial number until HLI0049674 Interchangeable: YES
100	▲ G074408	DRIVEWHEEL 400W 24V CIMA MINI-G '13	Attention: this item is valid for machines produced with serial number from HLI0049674 Interchangeable: YES
101	S000021013	ROCKER ARM AXIS CX12	
102	V000003039-9005	PAINTED ROCKER ARM GS 25 b5=525	
103	S0012030178	COMPLETE ROLLERS TANDEM INJECTED POLYURETHANE GS	
104	S0002201027	DOUBLE CLEVIS GS (MACHINED)	
105	S0002206023	SINGLE ROLLER SPACER GS	
106	S0002010178	INJECTED POLYURETHANE ROLLER D82x82 + BEARING	
107	S0002205039	TANDEM CONNECTION PIN GS	
108	G010207	BEARING 6204 Z 20-47-14	
109	G044319	COILED SPRING PIN 4x30 ISO 8748	
110	S000021001	MACHINED PORTAL CX12	
111	G044341	COILED SPRING PIN 6x32 ISO 8748	
112	S0002205038	PIN D16x113 GS	
113	G056104	EXIT NYLON ROLLER D38 GS	
114	S0002205040	REFERENCE PIN GS	
115	S0012035029	TANDEM ROLLER SPACER GS	
116	S0012050170	INJECTED POLYURETHANE ROLLER D82x60 + BEARINGS	
117	S000003005	ROCKER TANDEM GS'01 ZINC PLATED	
118	S0003015006	PUSHING RODS CAM GS ZINC PLATED	
119	S0002270525	PAINTED CONNECTING ROD GS 25 I=1150	
120	V000021000-PRAMAC	PAINTED FRAME CX12 1150x520mm	
121	S000021004	MACHINED ADDITIONAL LINKAGE CX12	
122	V000021005-PRAMAC	PAINTED REAR SHEET CX12	
123	▲ G08000	RIGHT BATTERY SUPPORT CX12	Attention: this item is valid for machines produced until 06/05/2014 Interchangeable: NO
123	▲ G08220	RIGHT BATTERY SUPPORT CX12 '13	Attention: this item is valid for machines produced from 06/05/2014 Interchangeable: NO
124	S000021011	COMPLETE CYLINDER CX12	
126	▲ G089700	BATTERY GEL 42Ah 12V	Attention: this item is valid for machines produced until 06/05/2014 Interchangeable: NO
126	▲ G089704	GEL BATTERY 12 V - 48 Ah C/5 DIM. MAX 246x175x190	Attention: this item is valid for machines produced from 06/05/2014 Interchangeable: NO
127	S000021017	LOWER CYLINDER PIN CX12	
128	S000021016	UPPER CYLINDER PIN CX12	
129	S000021007	MACHINED TILLER JOINT CX12	



POSITION	PART NUMBER	DESCRIPTION	NOTES
130	S000021008	MACHINED TILLER JUMPER CX12	
131	G016307	SELF LUBRICATING FL BUSH DU 18x20x12	
132	G09416	TILLER SWITCH PROTECTION PLATE GX-LX '03	
133	S000021913	TILLER WORK POSITION MICROSWITCH HARNESS CX12	
134	S000021904	COMPLETE CONTROL BOX CX12	
135	G001723	GAS SPRING CX12 / RX AMA R20 T40 LTA 225 mm 250 N	
136	V000021009-9005	PAINTED HANDLE CX12	
137	S000021027	GAS SPRING SPACER CX12	
138	G081040	CENTR. IDR. HPI 03MF MOT. 0,4kW; POMPA 0.75cc; SERBAT. 0.5l MONTAGGIO ORIZZONTALE	
139	G016300	IGUS BUSH GFM 18x20x9	
140	G016382	IGUS BUSH GSM 18x20x25	
141	S000021025	PERNO QUARTA BIELLA CX12	
142	S000023021	TILLER PIN '14	
143	G09999	UPPER COVER HOLDING PLATE CX12	
144	S0004015007	CROSS SCREW GS 30	
145	▲ G008900	BATTERY CHARGER CHBD1 24V 5A + SPIRAL WIRE SCHUKO-IEC +BATTERY STATUS INDICATOR	Attention: this item is valid for machines produced until 12/12/2013 Interchangeable: NO
145	▲ S000018911	BATTERY CHARGER HIGH FREQUENCY 12-24V 10A RX10/CX12 +IEC PRESS. +SPIRAL CABLE SCHUKO-IEC+BATTERY STATUS INDICATOR	Attention: this item is valid for machines produced from 12/12/2013 Interchangeable: NO
146	S000021002	COMPLETE SSTABILIZERS SYTEM CX12	
147	G09992	DRIVEWHEEL WIRINGG PROTECTION PLATE CX12	
148	S000021014	WELDED TILLER SHAFT CX12	
149	S000021018	CYLINDER JOINT SPACER CX12	
150	G044307	COILED SPRING PIN 4x30 ISO 8748	
151	G016381	IGUS FL BUSH GLWFM 15x17x9	
152	▲ G08001	LEFT BATTERY SUPPORT CX12	Attention: this item is valid for machines produced until 06/05/2014 Interchangeable: NO
152	▲ G08221	LEFT BATTERY SUPPORT CX12 '13	Attention: this item is valid for machines produced from 06/05/2014 Interchangeable: NO
153	S000021500	CYLINDER TOP PIN SPACER CX12	
154	S000021915	REAR COVER CX12	
155	S000021916	UPPER COVER CX12	
157	G056103	ENTRY ROLLER FORK TP/E-GS	
158	G016305	IGUS FL BUSH GSM 20x22x20	
159	G044304	SPRING PIN 6x32 ISO 8752	
160	G044324	COILED SPRING PIN 4x50 ISO 8748	

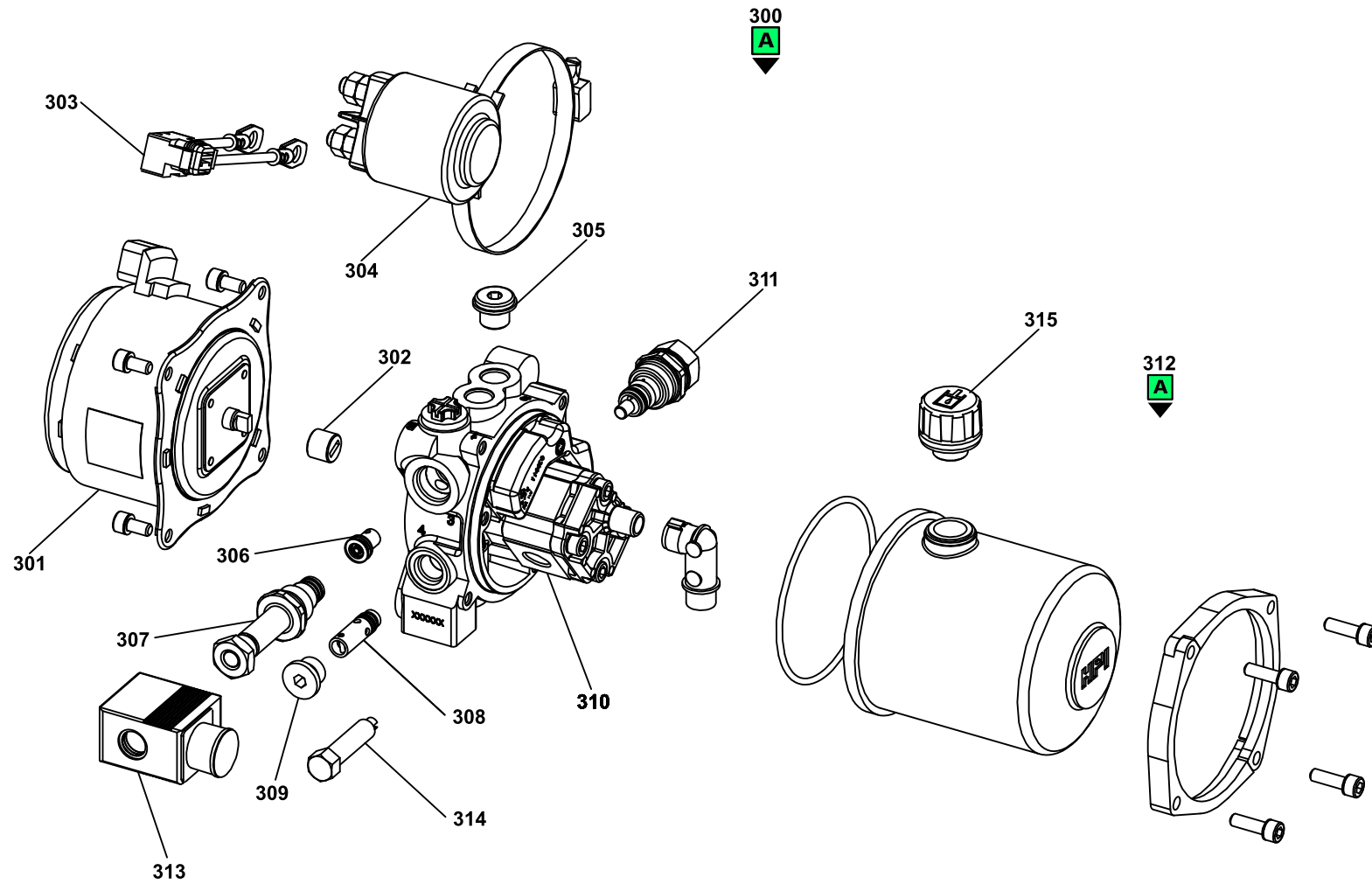
POSITION	PART NUMBER	DESCRIPTION	NOTES
161	G044302	SPRING PIN 4x20 ISO 8752	
162	S000021917	TILLER STOP SPRING CX12	
163	▲ P0CD00039	COMPL. WIRING CX12	Attention: this item is valid for machines produced until 16/02/2015 Interchangeable: NO
163	▲ P0CD00047	Complete wiring CX12 '15	Attention: this item is valid for machines produced from 16/02/2015 Interchangeable: NO
164	G075101	Remote 3-LED Battery Indicator	



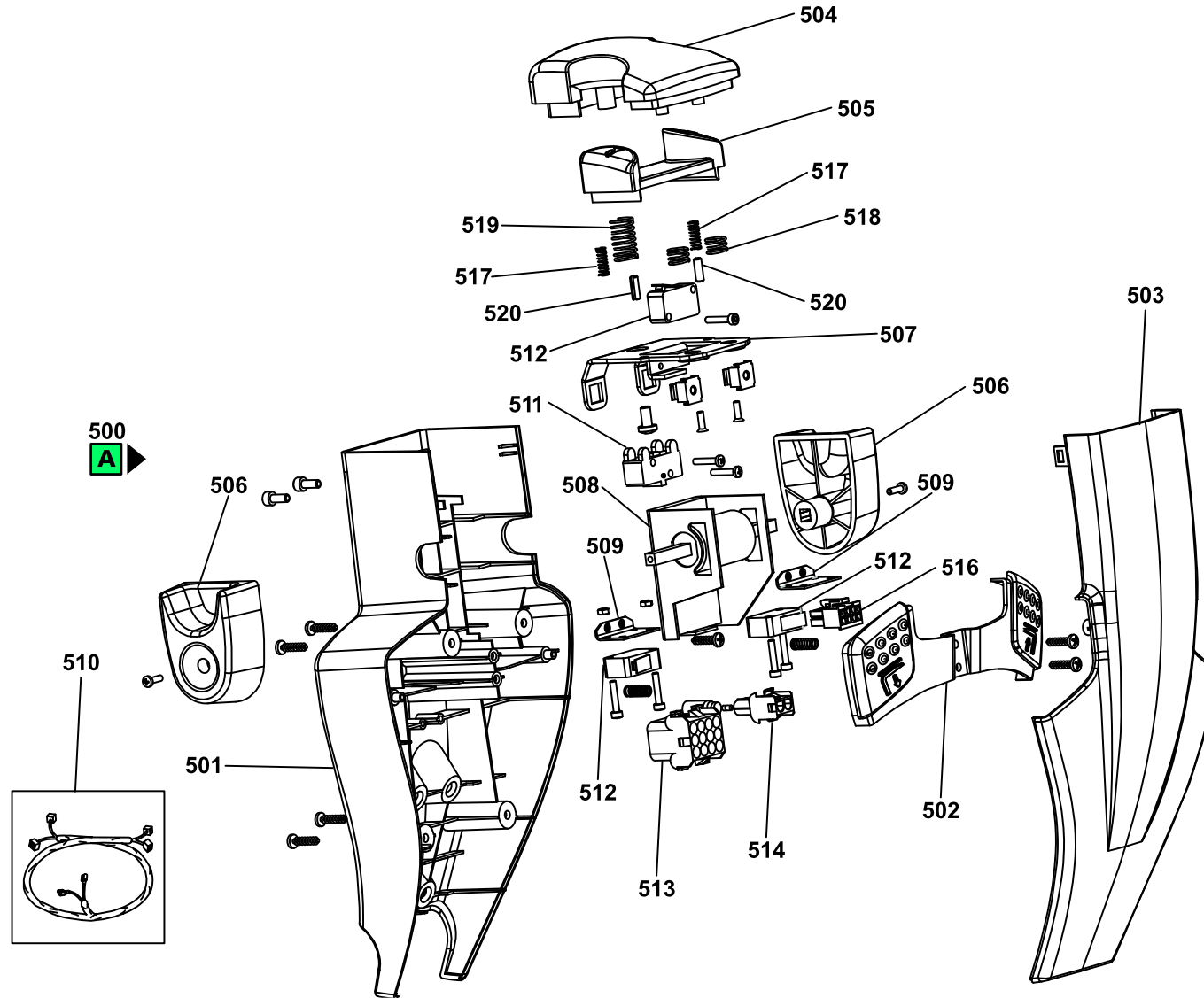
POSITION	PART NUMBER	DESCRIPTION	NOTES
200	S000021011	COMPLETE CYLINDER CX12	
201	S000021600	WELDED CYLINDER CX12	
202	S000021604	CYLINDER PISTON CX12	
203	S000021605	CYLINDER ROD CX12	
204	S000021606	CYLINDER NUT CX12	
205	GP90045	CYLINDER GASKET KIT CX12	



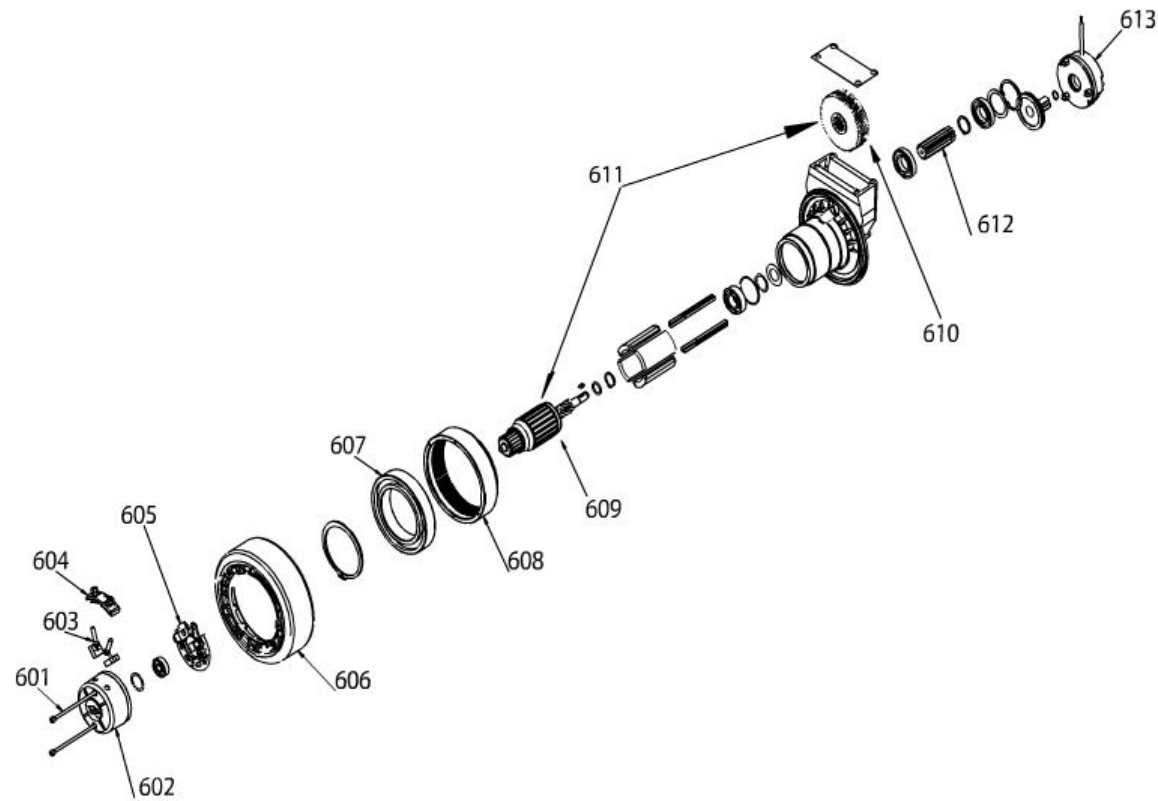
POSITION	PART NUMBER	DESCRIPTION	NOTES
400	S000021014	WELDED TILLER SHAFT CX12	
401	G042150	SEEGER RING E50 DIN 471	
402	G042280	SEEGER RING I80 DIN 472	
403	G010214	BEARING 6010 2RS 50-80-16	
404	S000021001	MACHINED PORTAL CX12	
405	 G074454	DRIVE-WHEEL 400W 24V CIMA MINI G CX12	Attention: this item is valid for machines produced with serial number until HLI0049674 Interchangeable: YES
405	 G074408	DRIVEWHEEL 400W 24V CIMA MINI-G '13	Attention: this item is valid for machines produced with serial number from HLI0049674 Interchangeable: YES
406	S000021912	TILLER WIRING CX12	



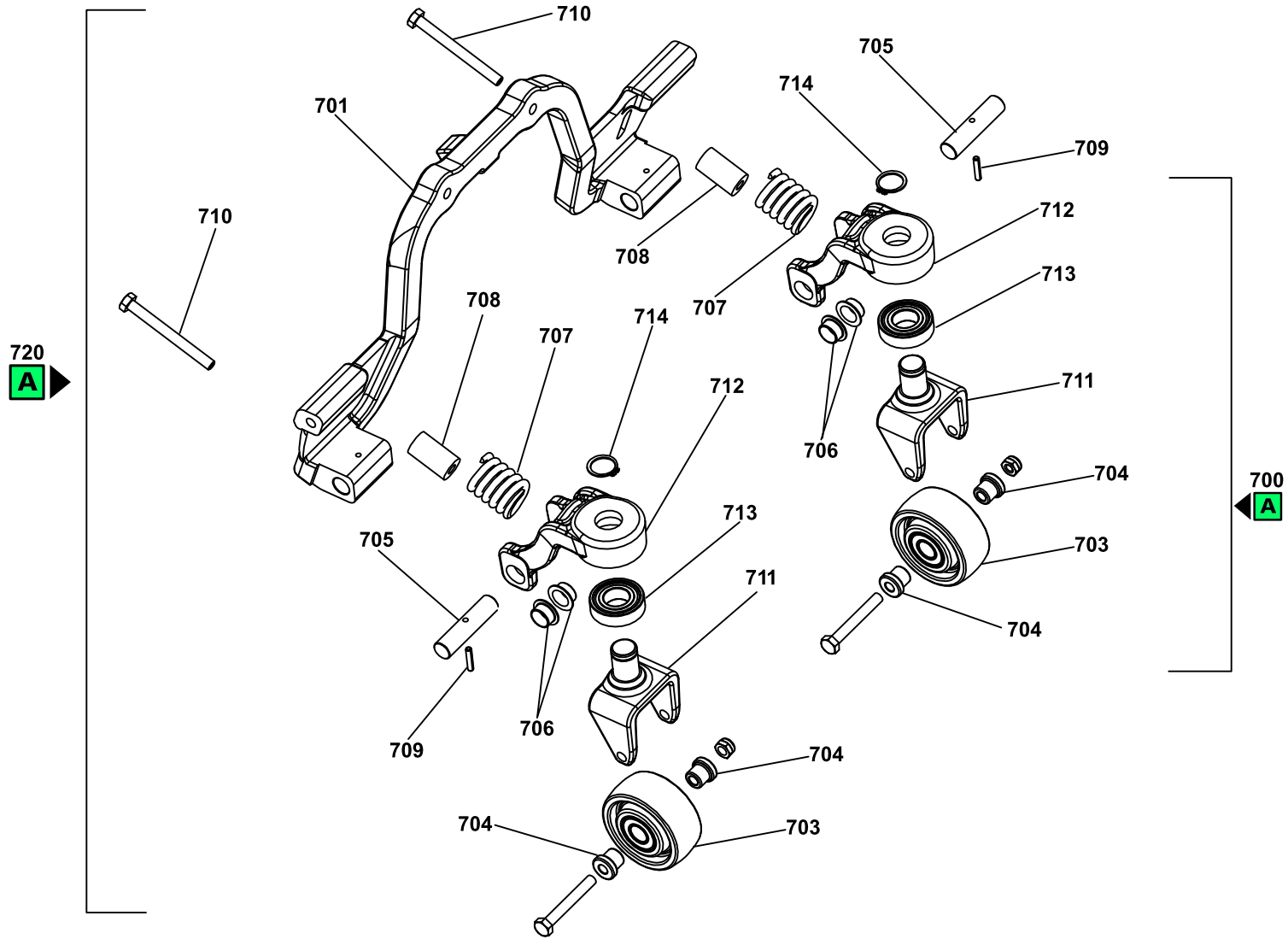
POSITION	PART NUMBER	DESCRIPTION	NOTES
300	G081040	CENTR. IDR. HPI 03MF MOT. 0,4kW; POMPA 0.75cc; SERBAT. 0.5l MONTAGGIO ORIZZONTALE	
301	-	DESCRIPTION N/A	
302	PCJ00002	MOTOR COUPLING	
303	PCJ00003	SPAZZOLE	
304	G075960	RELAY 24V 80A	
305	PCJ00005	CAP	
307	PCJ00007	ELECTROVALVE	
309	PCJ00009	TAPPO	
310	PCJ00010	PUMP	
311	PCJ00011	PRESSURE VALVE	
312	PCJ00012	TANK 0,5lt.	
313	PCJ00008	SOLENOID ELETTRORVALVOLA	
315	PCJ00014	TANK CAP	



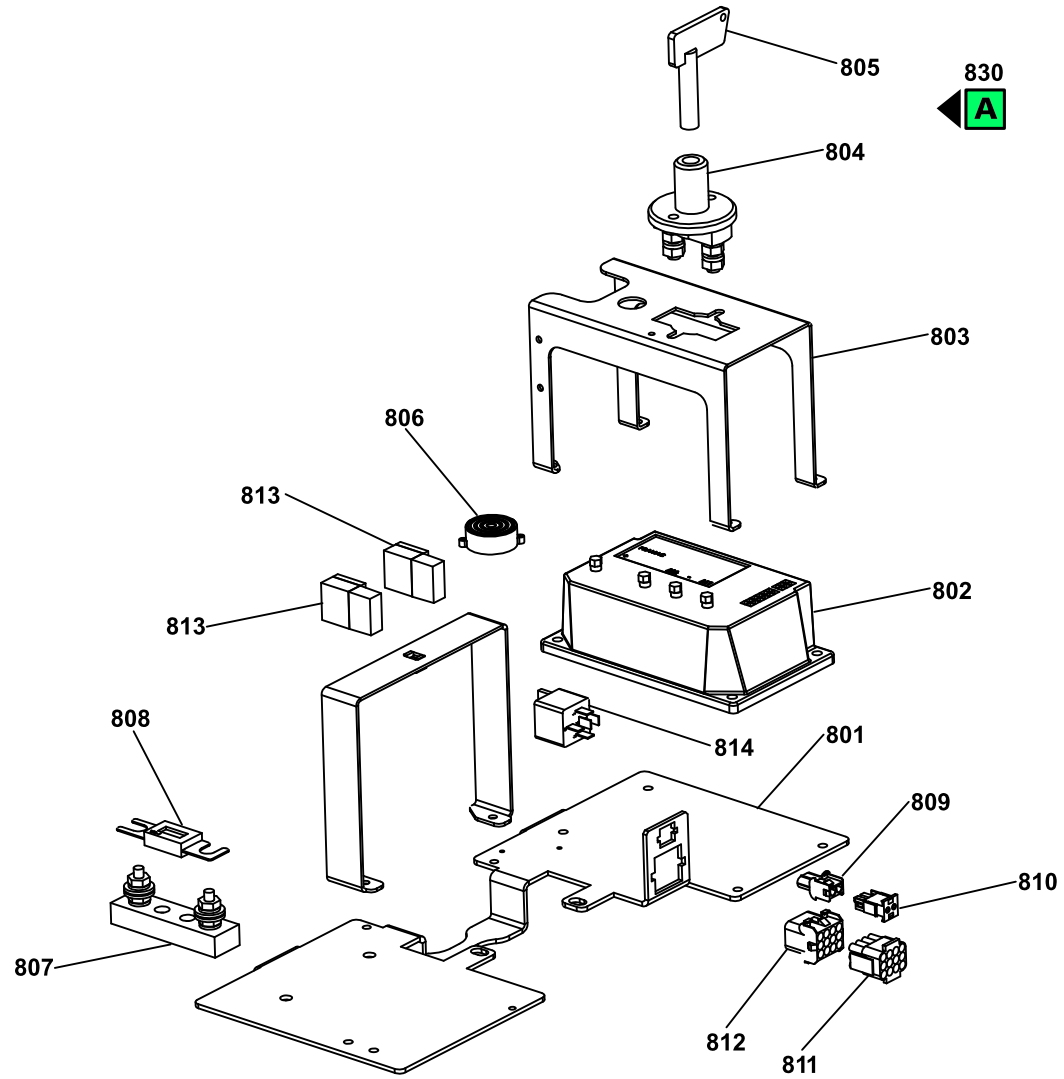
POSITION	PART NUMBER	DESCRIPTION	NOTES
500	▲ S000021904	COMPLETE CONTROL BOX CX12	Attention: this item is valid for machines produced until 13/03/2015 with serial number until HLI0174398 Interchangeable: YES
500	▲ S000021938	COMPLETE CONTROL BOX CX12-RX10 '15	Attention: this item is valid for machines produced with serial number from HLI0174398 Interchangeable: YES
501	S000021901	LOWER PART CONTROL BOX CX12	
502	S000021900	FORKS LIFTING/LOWERING BUTTON CONTROL BOX CX10	
503	S000021902	UPPER PART CONTROL BOX CX12	
504	S0304178033	HANDLE EMERGENCY '00	
505	S0304178032	HANDLE HORN ROCKER SWITCH '00	
506	S0304178031	HANDLE BUTTERFLY '00	
507	G08005	TILLER EMERGENCY BUTTON SUPPORT CX12	
508	G077007	ELECTRONIC THROTTLE GPH/HT3 x GX10 WIRED	
509	G09994	FORKS LIFTING/LOWERING MICROSWITCH SUPPORT CX12	
510	▲ S000021905	CONTROL BOX WIRING CX12	Attention: this item is valid for machines produced with serial number until HLI0174398 Interchangeable: YES
510	▲ S000021939	CONTROL BOX WIRING CX12-RX10 '15	Attention: this item is valid for machines produced with serial number from HLI0174398 Interchangeable: YES
511	G075016	MICROSWITCH 5A 250V	
512	G075017	MICROSWITCH XG52-J21	
513	G070901	CONNETTORE 12 VIE FEM. x TERMIN. UP-LOK	
514	G071920	CONNETTORE 2 PIN FEM. UP-LOK	
515	G077104	RECTIFIER TYPE 1N4007	
516	G070970	CONNETTORE PORTAFEMMINE 8 VIE MINIFIT 5557-08R	
517	G001131	SPRING De5,6 F0,5 - 10 TURNS L20 ZINC PLATED	
518	G001132	SPRING De11 WIRE 1 - 4 TURNS L10 MOL/ZN	
519	G001134	SPRING De12,3 F1 - 9 TURNS - L=24 ZINC PLATED	
520	G044325	SPRING PIN 4x12 ISO 8752	



POSITION	PART NUMBER	DESCRIPTION	NOTES
600	G074454	DRIVE-WHEEL 400W 24V CIMA MINI G CX12	
602	PLC00008	END CAP	
605	PLC00009	BRUSH HOLDER	
610	PLC00031	Gears Wheel	
611	PLC00014	ARMATURE GEAR	
613	PLC00018	BRAKE	



POSITION	PART NUMBER	DESCRIPTION	NOTES
700	S000021019	COMPLETE STABILIZER CX12	
701	S000021003	MACHINED STABILIZERS HOLDER CX12	
703	G053308	ALUMINIUM-POLYURETHANE Ø75x25 STABILIZERS WHEEL CX12	
704	S000021300	STABILIZERS ALUMINIUM-POLYURETHANE WHEEL BUSHING CX12	
705	S000021024	STABILIZERS CONNECTION PIN CX12	
706	G016381	IGUS FL BUSH GLWFM 15x17x9	
707	G09997	STABILIZER SPRING CX12	
708	G040059	STABILIZER DUMPER	
709	G044302	SPRING PIN 4x20 ISO 8752	
710	G022075	HC SCREW M8x80 8.8 ZN ISO4017	
711	▲ S000021037	MACHINED STABILIZER CLEVIS CX12	Attention: this item is valid for machines produced with serial number from LLI0035011 Interchangeable: NO
711	▲ S000021022	New code S000021019	Attention: this item is valid for machines produced with serial number until LLI0035011 Interchangeable: NO
712	▲ S000021020	New code S000021019	Attention: this item is valid for machines produced with serial number until LLI0035011 Interchangeable: NO
712	▲ S000021036	MACHINED STABILIZER CLEVIS SUPPORT CX12	Attention: this item is valid for machines produced with serial number from LLI0035011 Interchangeable: NO
713	G010126	BEARING 6004 2Z 20-42-12	
714	G042120	SEEGER RING E20 DIN 471	
720	S000021002	COMPLETE SSTABILIZERS SYTEM CX12	



POSITION	PART NUMBER	DESCRIPTION	NOTES
801	▲ G08002	ELECTRONICS SUPPORT PLATE CX12	Attention: this item is valid for machines produced with serial number until HLI0092022 Interchangeable: NO
801	▲ G08186	ELECTRONICS SUPPORT PLATE CX12 '13	Attention: this item is valid for machines produced with serial number from HLI0092022 Interchangeable: NO
802	G076909	PRAMAC ELECTRONIC CONTROLLER PMD24150/PR1-150A 24V FOR CX12	
803	G08007	EMERGENCY SWITCH HOLDING PLATE CX12	
805	G075220	REPLACED BY G075102	
806	G075116	HORN 3/28V VDC KPE-200 FOR CX14	
807	G070603	FUSE HOLDER x FUSE 160Amp	
808	G077540	FUSE 160A (RFM REGHEL)	
809	G071920	CONNETTORE 2 PIN FEM. UP-LOK	
810	G071921	CONNETTORE 2 VIE MASCHIO x TERMIN. UP-LOK	
811	G070902	UP-LOK CONNECTOR 12 PIN MALE	
812	G070901	CONNETTORE 12 VIE FEM. x TERMIN. UP-LOK	
813	G079693	MODULAR FUSEHOLDER + BLADE FUSE 7,5A	
814	G075230	RELAY 20-30A 24V 1N.O.	
830	G075102	BATTERY DISCONNECTING SWITCH 1 POLE	