

Spare Parts Catalogue

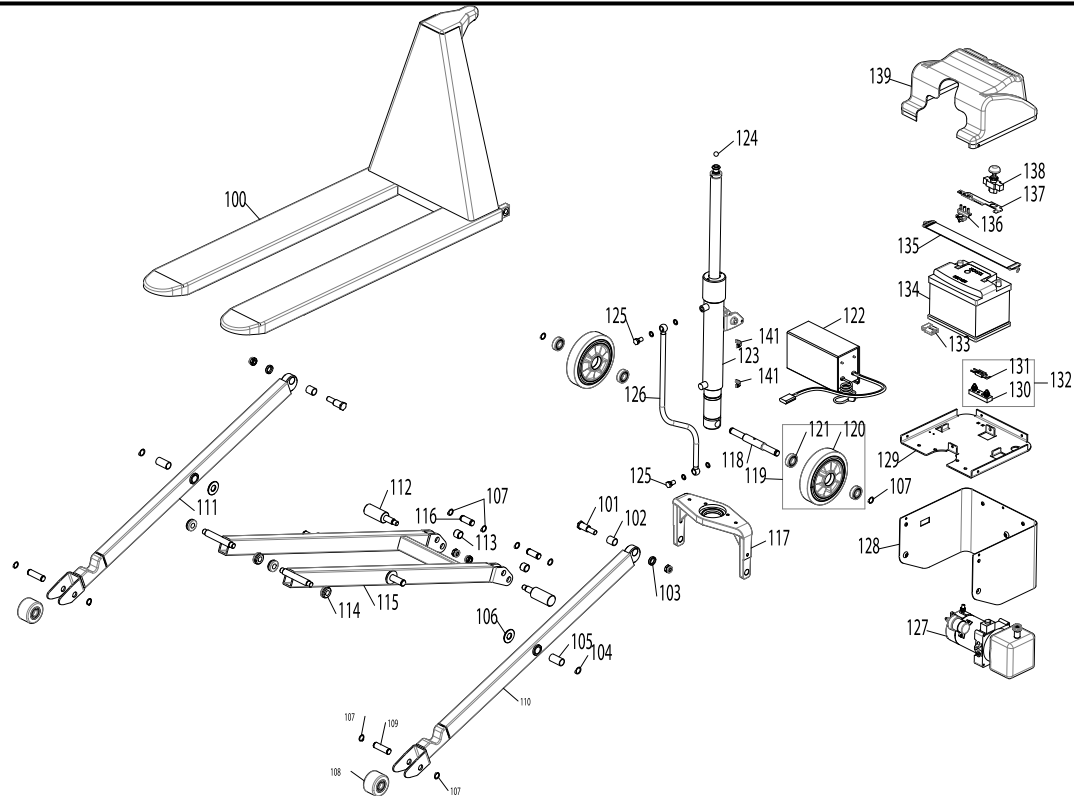
HX10E 2000x540+RADDRIZZATORE-A-POLY.I-GOMMA- PRAMAC

Electronic pallet trucks

Valid for machine code: EF0B20V0000
Revision: 0 (04/2021)

HX10E 2000x540+RADDRIZZATORE-A-POLY.I-GOMMA-PRAMAC -
Machine code: EF0B20V0000

Spare Parts Catalogue HX10E 2000x540+RADDRIZZATORE-A-POLY.I-
GOMMA-PRAMAC - Revision: 0 (04/2021)

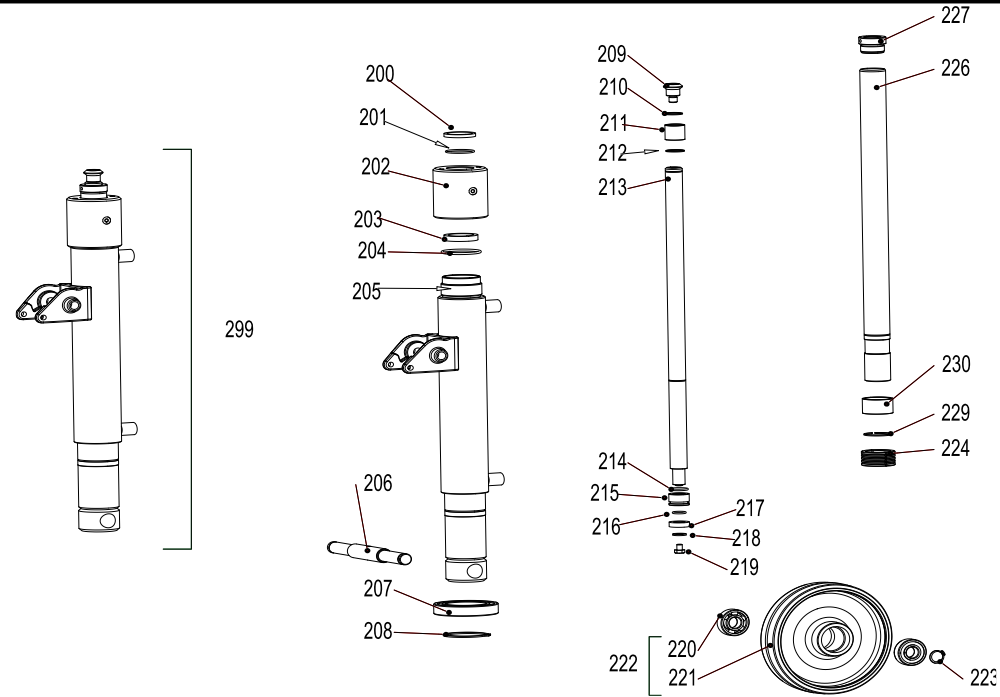


POSITION	PART NUMBER	DESCRIPTION	NOTES
100	V000017044-PRAMAC	FRAME HX10M/E 2000x540 PAINTED	
101	S0041215026	ADJUSTING CAM HL10E BURNISHED	
102	G016395	SELF LUBRICATING BUSH Fe 22x26x28	
103	S0041218009	ARMS SPACER HL10M/E	
104	G042122	SEEGER RING E22 DIN 471	
105	G016304	SELF LUBRICATING BUSH Fe 22x26x50	
106	S0041218010	VERTICAL ROD NYLON SPACER HL10M/E	
107	G042120	SEEGER RING E20 DIN 471	
108	S0041210042	NYLON ROLLER D80x50 + BEARING	
109	S0041215025	ROLLER PIN HL10E BURNISHED	
110	V000017042	DESCRIPTION N/A	
111	V000017041	DESCRIPTION N/A	
112	S000017045	STABILIZING ECCENTRIC HX10M/E '10	
113	S0041016003	CAM SPACER HL10M/E	
114	S0041218008	GUIDE ROLLER HL10E	
115	V000017038	DESCRIPTION N/A	
116	S0041015002	PIN CROSS HL10M/PED.L-K20 BURNISHED	
117	S0042010061	CROSS HL10E (L.540) MACHINED	
118	S0004015015	WHEEL AXLE GS/HL10E	
119	S0002010169	Rubber Wheel D200 (model No. Ea200bh-65a Lifter)+bearing	
120	G053101	RUBBER WHEEL D200 TP/GS(model no. EA200BH-65A LIFTER)	
121	G010207	BEARING 6204 Z 20-47-14	
122	G008807	HIGH FREQUENCY BATTERY CHARGER HX10E 12V 6A + SB50 GREY CONNECTOR	
123	S000017006	CYLINDER HX10E PAINTED	
124	G016119	BALL 5/8" 15.875 mm	
125	G084006	SCREW PERFORATE (4 HOLES) 1/4" L GAMBO 25 -0,5/0 CH19	
126	G083025	TUBE R1AT 1/4"	
127	G081039	HYDRAULIC UNIT HX10E '09	
128	V09818-PRAMAC	PROTECTIVE BELT HX10E 540 '09 PAINTED	
129	V09377-9005	BATTERY HOLDER SKID HX10E PAINTED BLACK RAL.9005	
130	G070603	FUSE HOLDER x FUSE 160Amp	
131	G077404	FUSE 125A (RFM)	
132	G079693	MODULAR FUSEHOLDER + BLADE FUSE 7,5A	
133	G071098	CONNECTOR 50A (ANDERSON)	
134	G099300019	BATTERY 60Ah 12V	
135	G000201	BATTERY ELASTIC WEBBING HX10E	

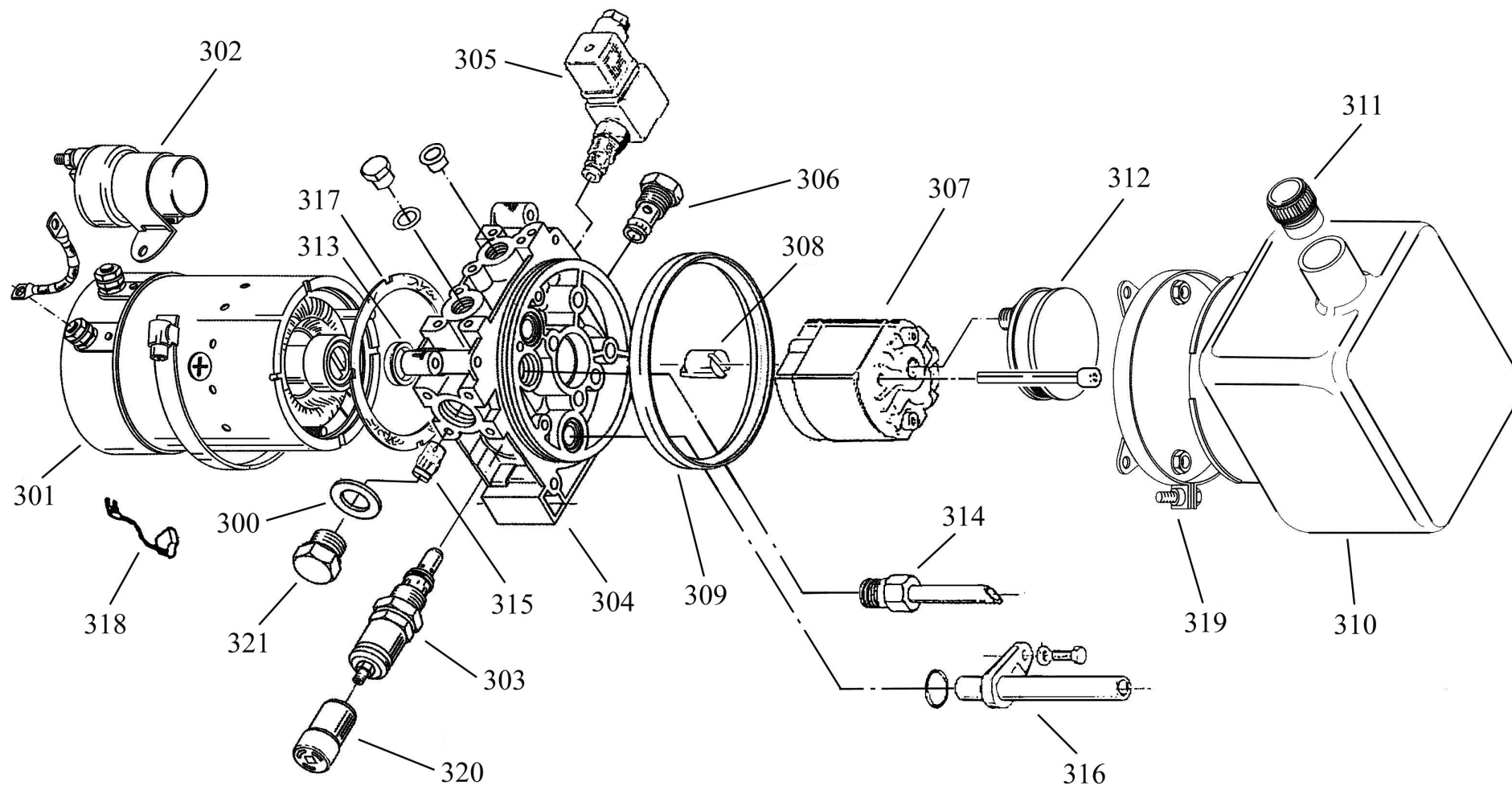
POSITION	PART NUMBER	DESCRIPTION	NOTES
136	G070535	BATTERY POSITIVE CLAMP HX10E '09	
137	G09821	EMERGENCY STOP PUSH BUTTON SUPPORT HX10E '09	
138	G071204	BATTERY BREAKER PUSH BUTTON 150A	
139	S000017906	BATTERY COVER HX10E '09	
140	S000017931	ELECTRIC WIRING HX10E '16	
141	G0P707	PLASTIC CABLE-FIXING FOR CABLE Ø6	

HX10E 2000x540+RADDRIZZATORE-A-POLY.I-GOMMA-PRAMAC -
Machine code: EF0B20V0000

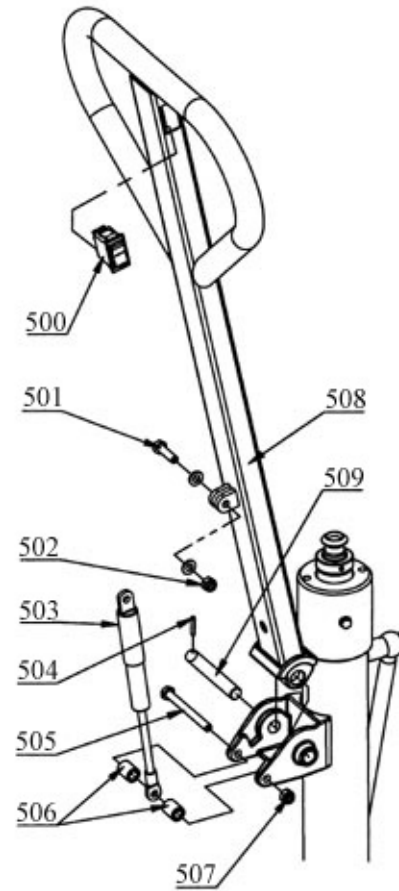
Spare Parts Catalogue HX10E 2000x540+RADDRIZZATORE-A-POLY.I-
GOMMA-PRAMAC - Revision: 0 (04/2021)



POSITION	PART NUMBER	DESCRIPTION	NOTES
200	G098107	ROD WIPER 38-46-6	
201	G095034	O-RING Ø37.77x2.62 NBR 70	
202	S000017513	CYLINDER BUSHING HX10E '13	
203	G098019	ROD-PISTON U SYMMETRIC SEAL POLYURETHANE 38-50-9	
204	G095035	O-RING Ø55.56x3.53 NBR 70	
205	S000069051	WELDED CYLINDER HX10E '13	
206	S0004015015	WHEEL AXLE GS/HL10E	
207	G010220	BEARING 6012 RS(60-95-18)	
208	G042160	SEEGER RING E60 DIN 471	
209	S0042015008	BALL GUIDE HL10M-HL10E	
210	S000017307	SECOND ROD STOP WASHER HX10E	
211	S0042216016	SECOND STAGE SPACER HL10E NEW	
212	G042325	SNAP RING SW25 HEAVY	
213	S000017510	SECOND ROD HX10E '13	
214	G095027	O-RING 616 (Ø15.08x2.62) NBR 70	
215	S000017511	SECOND ROD PISTON HX10E '13	
216	G099002	DRIVE RING 30-26-9,7	
217	G098040	ROD-PISTON ASYMMETRIC LIP SEAL (U) POLYURETHANE 30-20-8	
218	G041904	WASHER 10 (10.5x20x2) ZN ISO7089	
219	G022024	HC SCREW M8x10 8.8 ZN ISO4017	
220	G010401	BEARING 6204 2RS 20-47-14	
221	S0042218005	RING A38 UNI 7433-75 (x HL10E)	
222	S0002010169	Rubber Wheel D200 (model No. Ea200bh-65a Lifter)+bearing	
223	G042120	SEEGER RING E20 DIN 471	
224	S000017516	CYLINDER GUIDE RING HX10E '16	
226	S0042216007	FIRST STAGE HL10E	
227	S0042211005+G098108	DESCRIPTION N/A	
229	G042100	SEEGER EXTERNAL 7435 E 38 (DIN 471)	
230	S000017300	FIRST ROD SPACER HX10E	
299	S000017006	CYLINDER HX10E PAINTED	



POSITION	PART NUMBER	DESCRIPTION	NOTES
300	PCY42107000	WASHER FOR HYDRAULIC UNIT H	
301	PCY24011500	ENGINE 12V FOR TX10 CONTROL UNIT	
302	PCY46113400	RELAY 12V 150A	
303	G082203	RELIEF VALVE 150-300 BAR x MC	
304	PCY71013004	HYDRAULIC UNIT BODY H	
305	G082205	ELECTROVALVE EV22 "A" 12Vcc NC xHL10E	
306	PCY20020400	HYDRAULIC UNIT RETENTION VALVE HX	
307	PCY17050006	HYDRAULIC UNIT PUMP HX	
308	G082208	PEN TYPE JOINT FOR "MC" ELECTRIC MOTOR 2	
309	PCY61212400	HYDRAULIC UNIT O-RING HX	
309	PCY61212400	HYDRAULIC UNIT O-RING HX	
310	PCY61214000	HYDRAULIC UNIT TANK H	
311	PCY49153500	HYDRAULIC UNIT CAP H	
312	PCY49151300	FILTER FOR HYDRAULIC UNIT H	
313	PCY60507900	SPACER FOR HYDRAULIC UNIT H	
314	PCY60714600	EXHAUSTING PIPE FOR HYDRAULIC UNIT H	
315	PCY20000004	VALVE FOR HYDRAULIC UNIT H	
316	PCY91002015	TUBE FOR HYDRAULIC UNIT H	
317	PCY61200100	GASKET FOR HYDRAULIC UNIT H	
318	PCY00004056	BRUSH KIT GX/10/12 TX12	
319	PCY25004800	BAND FOR HYDRAULIC UNIT H	
320	PCY60309200	PROTECTIVE CAP FOR HYDRAULIC UNIT H	
321	PCY60309200	PROTECTIVE CAP FOR HYDRAULIC UNIT H	
399	G081039	HYDRAULIC UNIT HX10E '09	



POSITION	PART NUMBER	DESCRIPTION	NOTES
500	G076511	BUTTON HANDLE '16 HX10E '16 HX10E	
501	G022013	HC SCREW M8x30 8.8 ZN ISO4017	
502	G034308	SELF LOCKING NUT M8 CL8 ZN ISO7040	
503	G001722	GAS SPRING HX10E AMA R20 T80 252 85 400N	
504	G044302	SPRING PIN 4x20 ISO 8752	
505	G022245	HC SCREW M8x85 8.8 ZN ISO4014	
506	S0042215024	GAS SPRING SPACER HL10E	
507	G034308	SELF LOCKING NUT M8 CL8 ZN ISO7040	
508	V000017007	DESCRIPTION N/A	
509	S000017505	HANDLE PIN HX10E	