

## Spare Parts Catalogue

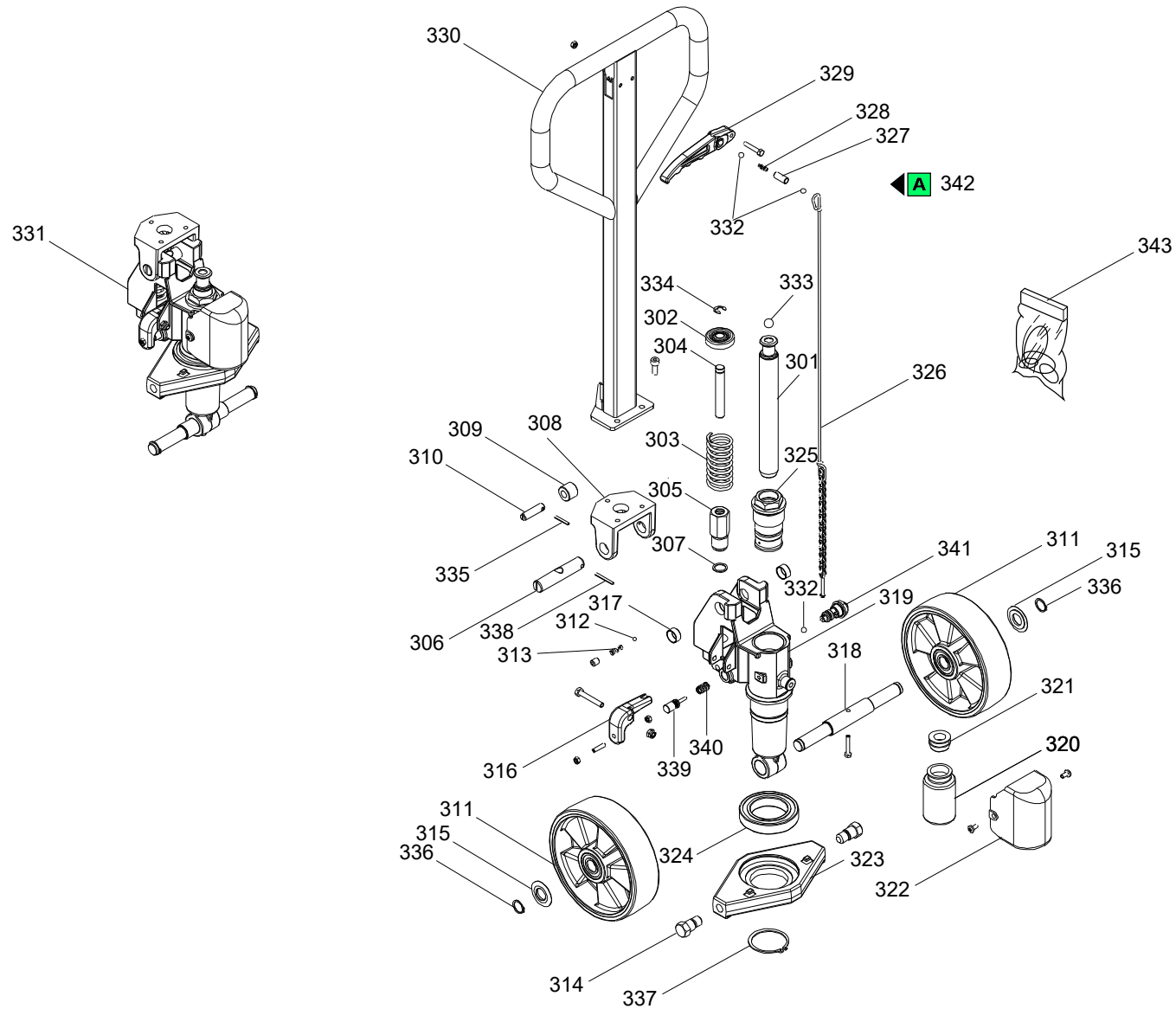
# PX20-2008-ESTER

Handling systems | Hand pallet trucks

Valid for machine code: GHA330V0100

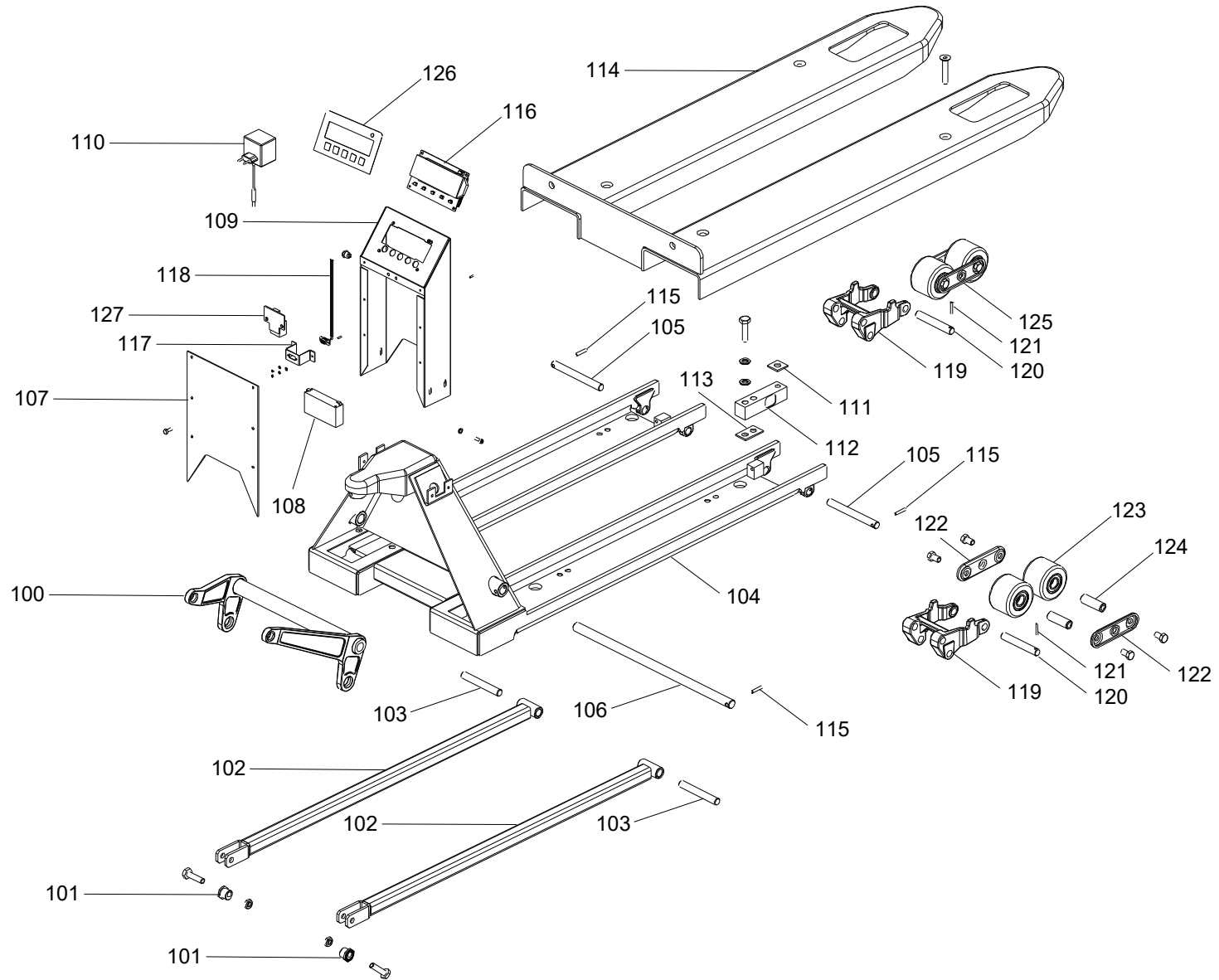
Revision: 0 (2/2009)

Copyright 2020 Pramac Group, All Rights Reserved.



Position	Part Number	Description	Notes
301	S00003502	Piston Gs/global (machined)	-
302	G09007	Spring Slide Cup Gs/usa '99 Lam.zn	-
303	G001103	Spring De42 F.4,5x125 P.15 Grinded-zinc Plated	-
304	S0004013006	Plunger Pump Gs	-
305	S0004010470	Burnished Cylinder Gs-gs/galv Assembled	-
306	S0004013008	Chain Guide Pin (l.98) Burnished	-
307	G096001	Copper Washer 18x23,5x1,5	-
308	S0004011012	Cast Iron Bridge Gs	-
309	S0004013001	Pump-up Roller Tp/gs Burnished	-
310	S0004013002	Pump-up Roller Pin Gs	-
311	P0RU00014	Ruota Poly I./nylon D200x45 Gs	-
	S000007047	Wheel White Nylon D200x50 Heavy Duty Version + Sealed Bearings	-
	S0002010169	Rubber Wheel D200 (model No. Ea200bh-65a Lifter)+bearing	-
	S0004010186	Nylon Wheel D200 With Bearings	-
	S0014010233	Polyurethane Wheel /all D200x50 Lag + Bearings 6204	-
312	G016116	Ball 7/32" (mm5,556)	-
313	G001104	Spring De8 F.1,7x22 P.3,5 Grinded	-
314	S0004015007	Cross Screw Gs 30	-
315	G091101	Wheel Dustguard Tp 47x20 Sp3.9 Tellure	-
316	S000003901	Opening Spill Pedal '07 Gs	-
317	S0004018002	Body Pump Bushing Gs (20x22x10)	-
318	S0004015015	Wheel Axle Gs/hl10e	-
319	P0PP00006	New Code S000003106	-
320	S0004018003	Oil Tank Pallet Truck Gs	-
321	S0004018001	Oil Tank Cap Pallet Truck Gs	-
322	S0004018005	Tank Protection Gs (short)	-
323	S000003109	Cross Gs '09 Black Ral 9005 Machined	-
324	G010220	Bearing 6012 Rs(60-95-18)	-
325	S0004011024	Cast Iron Bushing Gs (machined)	-
326	P0TT00001	Complete Tie-rod With Handle Lever Gs (ø3.3	-
327	S0004036022	Lowering Lever Spacer Gs	-
328	G001126	Lowering Lever Spring Gs	-
329	S0004018006	Lowering Lever Pallet Truck Gs	-
330	S0004030331	Pump Handle Gs/e Painted	-
331	S000002025	Hydraulic Assembly Gs '07 25q.li.+ Poly I./nylon Gray D200x55 Wheels	-
332	G016104	Ball 5/16" (mm7,938)	-
333	G016103	Ball 9/16" (mm14,288) Ball 2	-

Position	Part Number	Description	Notes
334	G042501	Locker Ring Rs 7434 D10	-
335	G044319	Elastic Peg Spirol 8748 D4x30	-
336	G042120	Outer Seeger 7435 E 20	-
337	G042160	Outer Seeger 7435 E 60	-
338	G044318	Elastic Peg Spirol 8748 D 4x40	-
339	P3VA00001	Slot Pin Gs '02 Complete (spare Part)	-
340	G001102	Pedal Return Spring	-
341	S000007048	Complete Sealing Valve On-off Gs/basic '16	-
342	S000002006	Pump Handle Gs Pro '08	-
343	P0KI00003	Gasket Set Gs '02 Gs/av	-



Position	Part Number	Description	Notes
100	V000003039-9005	Painted Rocker Arm Gs 25 B5=525	-
101	S0003015006	Pushing Rods Cam Gs Zinc Plated	-
102	S0012010209	Push Rod Gs/scale Painted	-
103	S0002205038	Pin D16x113 Gs	-
104	V000009087-PRAMAC	Frame Px20-gs/p '10 Painted	-
105	S0002205040	Reference Pin Gs	-
106	S0003015038	Rocker Arm Axle Gs B5=525	-
107	▲ V0011017003-PRAMAC	Coperchio Scat.com.px 2000 Verde Pramac	Valid for products manufactured until 25/10/2012
	▲ V08131-PRAMAC	Painted Control Box Cover Px20 '12	Valid for products manufactured from 25/10/2012
108	G099300063	Battery 1.1ah-6v	-
109	▲ V0011010302-PRAMAC	Scatola Com.px 2000 Vernic.verde Pramac	Valid for products with serial numbers until LLI0012467
	▲ V09969-PRAMAC	Control Box Px20 '10 Painted	Valid for products with serial numbers from LLI0012467
110	G099300064	Battery Charger	-
111	G07247	Aluminium Spacer - 1 Hole Gs/scale	-
112	▲ G000207	Load Cell Gs/p '09	Valid for products manufactured from 17/02/2009 to 07/04/2015
	▲ G000203	Load Cell Gs/p '04	Valid for products manufactured until 17/02/2009
	▲ G000200	Load Cell Px 20 '15	Valid for products manufactured from 07/04/2015
113	G07248	2 Holes Aluminium Spacer For Gs/scale	-
114	V000009033-PRAMAC	Forca Unita Gs/p-px 4 Celle Verniciata Verde Pramac	-
115	G044304	Elastic Peg 6873 D 6x32	-
116	▲ PTD00006	Complete Kit Electronic Board Px20	Valid for products with serial numbers until LLI0012467
	▲ G079889	Weight Indicator Board Dfwl Px20 '10	Valid for products with serial numbers from LLI0012467
117	▲ G07120	Connector Bracket Pc Px-gs/p	Valid for products with serial numbers until LLI0012467
118	▲ S000009083	Complete Electric Wiring Px20 '10	Valid for products with serial numbers from LLI0012467
	▲ S000009006	Cablaggio Elettrico Px2000	Valid for products with serial numbers until LLI0012467
119	S0002201027	Double Clevis Gs (machined)	-
120	S0002205039	Tandem Connection Pin Gs	-
121	G044319	Elastic Peg Spirol 8748 D4x30	-
122	S000003005	Rocker Tandem Gs'01 Zinc Plated	-
123	S0012050170	Injected Polyurethane Roller D82x60 + Bearings	-
124	S0012035029	Tandem Roller Spacer Gs	-
125	S000009079	Roller Tandem Poly.i Ø82x60 + Clevis Gs/p-px	-
126	▲ POTA00001	Ad. Label Px20 10 T1	Valid for products with serial numbers from LLI0012467
127	▲ G072224	Board Rs232 With Connector Rj Px20 '10	Valid for products with serial numbers from LLI0012467