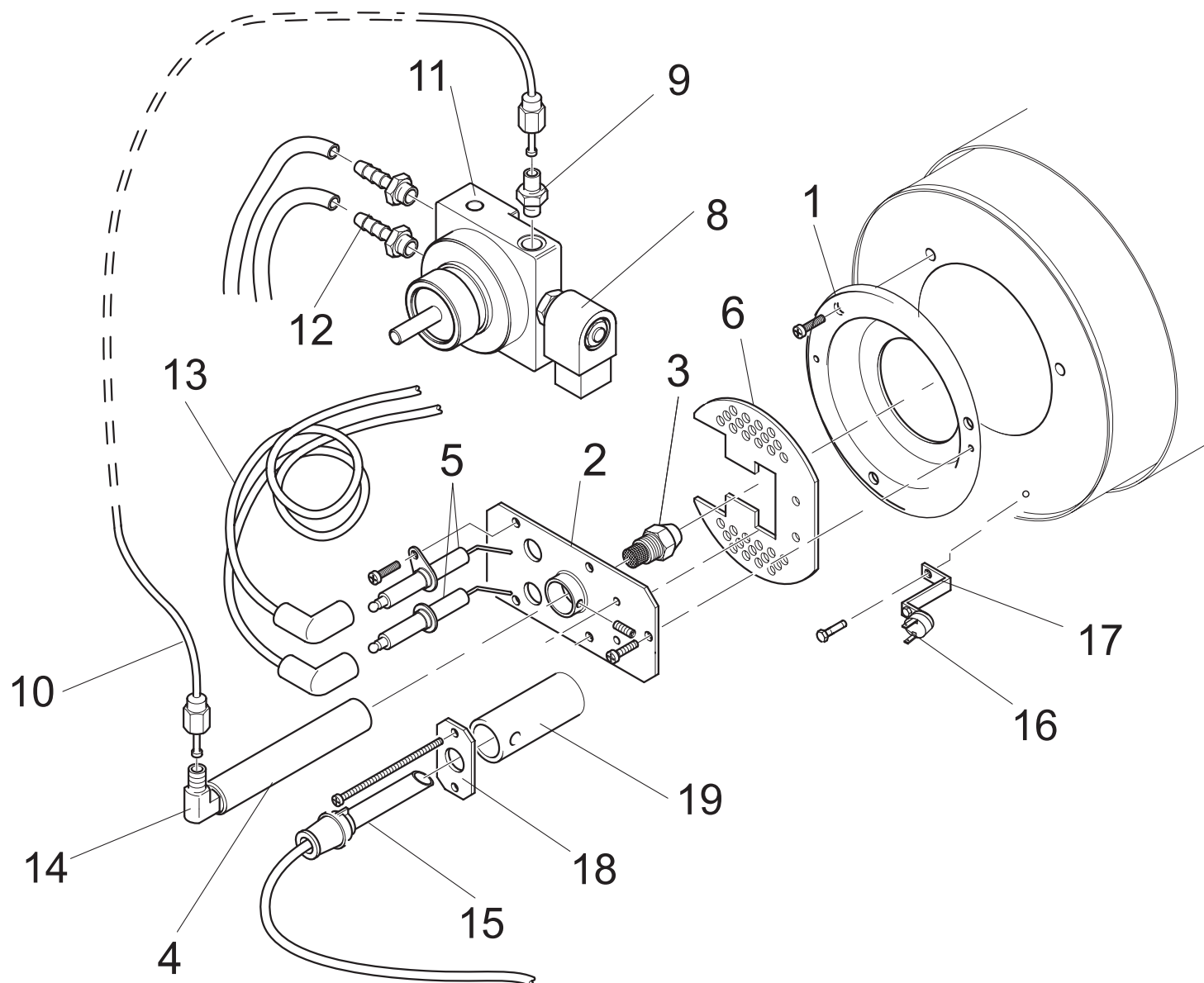


TESTINA DI COMBUSTIONE - COMBUSTION HEAD - MIZAR 15 PX - 20 PX



ESPLOSO TESTINA DI COMBUSTIONE - COMBUSTION HEAD - MIZAR 15 PX / MIZAR 20 PX

TAV. 2850689

POS	15 PX	20 PX	IT	GB	FR	D	ES
1	2504410		CONO DEFLETTORE	BAFFLE ASSEMBLY	DEFLECTEUR	ABWEISER	CONJUNTO DEFLECTOR
2	9500908		SUPPORTO TESTINA	SUPPORT	SUPPORT	SUPPORT	SUPPORT
3	1940200		UGELLO GASOLIO 0,40 - 80°	GASOIL NOZZLE	BUSE	DIESELOLDUSE	TOBERA
4	2503952		CANOTTO PORTA UGELLO	SUPPORT NOZZLE	CANOT PORTE BUSE	DUSENTRAGBUCHSE	SOPORTE
5	2505328		ELETTRODO	ELECTRODE	ELCTRODE	GEBOGENE ELEKTRODE	ELETTRODO
6	2505332	\	LAMA REGOLAZIONE ARIA	AIR REGULATION TONGUE	ALETTE REGLAGE AIR	LUFTREGELRIPPE	ALETTA
8	0361271		ELETTROVALVOLA	ELECTROVALVE	ELECTROVALVE	MAGNETVENTIL	ELECTROVALVULA
9	0362337		NIPPLO 1/8	NIPPLE	MAMELON	NIPPEL	NIPLE
10	2500321		RICCIO RAME	HOSE	BOUCLE DE CUIVRE	DRUCKLEITUNG	RIZO DE BRONCE
11	1640495		POMPA GASOLIO	DIESEL PUMP	PUMPE	OLPUMPE KOMPLET	BOMBA
12	0361649		PORTAGOMMA 1/4 M	HOSE-END FITTING	EMBOUT	SCHLAUCHANSCHLUßSTÜCK	BOQUILLA
13	1520351		CAVO ALTA TENSIONE	H.T. CABLE	H.T. CABLE	H.T. CABLE	H.T. CABLE
14	0362339		CURVA 90° 1/8"	QUARTER BEND	COURBE 90°	KURVE 90°	CURVA 90°
15	1520350		FOTORESISTENZA	PHOTO-RESISTANCE	PHOTORESISTANCE	FOTOWIDERSTAND	FOTORRESISTENCIA
16	1500333		TERMOSTATO	TERMOSTAT	ENSAMBLE THERMOSTAT	KIT THERMOSTAT	KIT TERMOSTATO
17	2503013		STAFFA TERMOSTATO	SUPPORT	SUPPORT	LAGERUNG	SOPORTE
18	2503145		SUPPORTO FOTORES.	SUPPORT	SUPPORT	LAGERUNG	SOPORTE
19	2505329		DISTANZIALE L= 45 FORATO	SPACER	PCS D'ENTROTOIS	ENTFERNUNGSSTÜCK	SEPARADOR
*	3300225	3300226	TESTINA COMPLETA	COMBUSTION HEAD	TETE DE COMBUST.	BRENNERKOPF	CABEZA