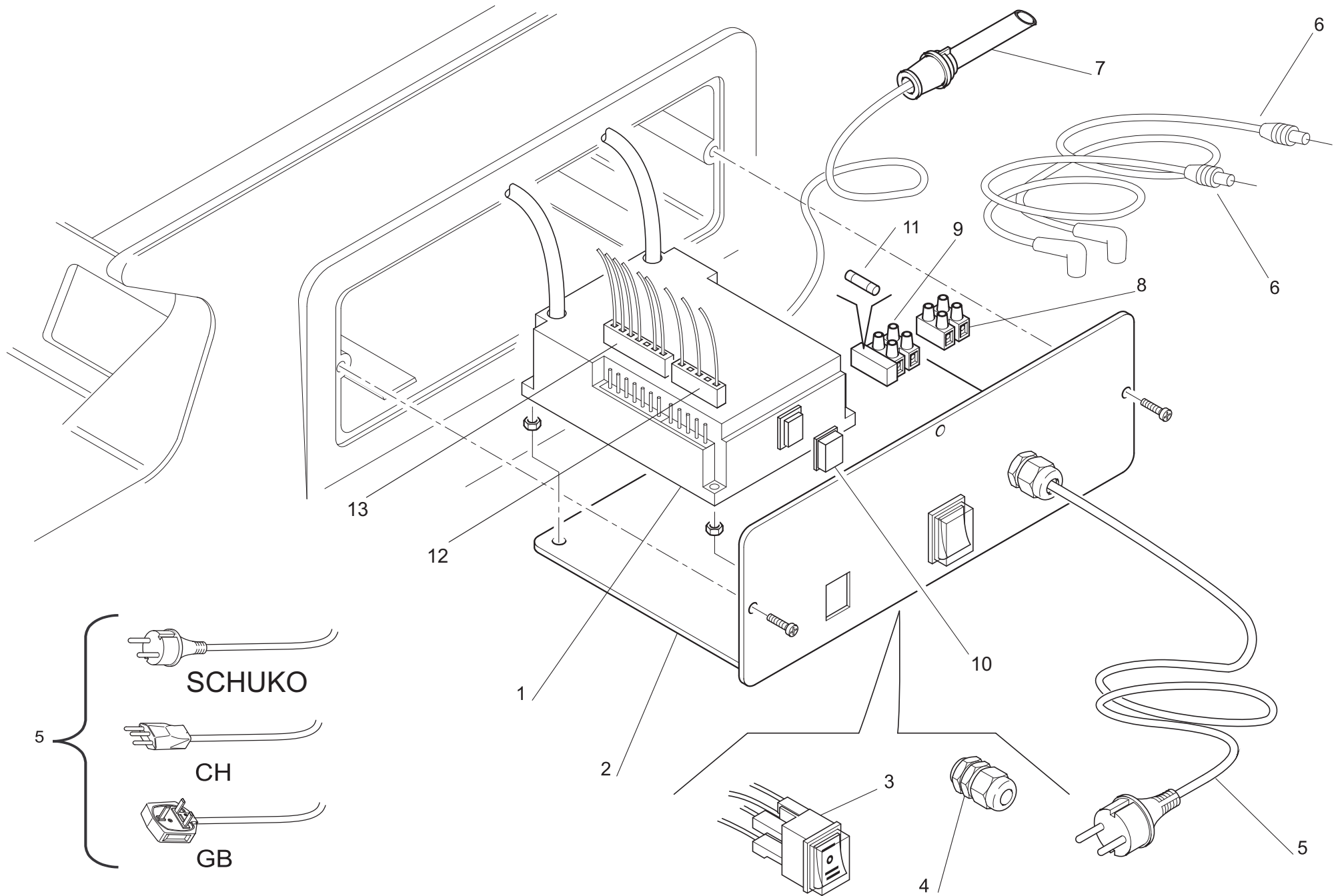


ESPLOSO QUADRO ELETTRICO - SPARE PARTS - MIZAR 15 PV-PX - 20 PV-PX



ESPLOSO IMPIANTO ELETTRICO - EXPLODED VIEW - MIZAR 15 PX-PV - 20 PX-PV

TAV. 2850686

POS	CODE	IT	UK	FR	DE	ES
1	1500411	SCHEDA CONTROLLO	CONTROL BOX	APPAREILLAGE	FEUERUNGSAUTOMAT	EQUIPO
2	2650055	SCATOLA ELETTRICA	ELECTRICAL BOX	BOITE ELECTRIQUE	ELEKTRISCHDOSE	CAJA ELECTRICA
3	0350605	INTERRUTTORE BIPOLARE	SWITCH	INTERRUPTEUR	HAUPTSCHALTER	INTERRUPTOR
4	1520070	PRESSACAVO PG.11	CABLE RET.	PRESSE CABLE	KABEL ZUG.	PREME CABLE
5	2200178	CAVO ALIMENTAZIONE 3X1	ELECTRIC CABLE	CABLE SCHUKO	NETZLEITUNG SCHUKO	CABLE SCHUKO
	2200128	CAVO ALIMENTAZIONE -CH -	ELECTRIC CABLE -CH -	CABLE - CH -	NETZLEITUNG - CH -	CABLE - CH -
	2200077	CAVO ALIMENTAZIONE -GB -	ELECTRIC CABLE - GB -	CABLE - GB -	NETZLEITUNG - GB -	CABLE - GB -
6	1520351	CAVO ALTA TENSIONE	H.T. CABLE	H.T. CABLE	H.T. CABLE	H.T. CABLE
7	1520350	FOTORESISTENZA	PHOTO-RESISTANCE	PHOTORESISTANCE	FOTOWIDERSTAND	FOTORRESISTENCIA
8	0350688	MORSETTIERA 2+T	TERMINAL BOARD	PLAQUE A BORNES	KLEMMBRETT	PLACA DE BORNAS
9	1500257	MORSETT.+ PORTAFUSIBILE	TERMINAL BOARD + FUSE	PLAQUE A BORNES+FUSE	KLEMMBRETT+FUSE	PLACA DE BORNAS+FUSE
10	1520357	CAPPUCCIO ANTISPRUZZO	PROTECTION SWITCH	PROTECTION INTERRUPT.	HAUPTSCHALTER PROT.	PROTECTION INT.
11	1500043	FUSIBILE 2,5 AMP	FUSE 2,5 AMP	FUSIBILE	SICHERUNG	FUSIBLE
12	2200322	CAVO 5 POLI	5 POLE CONNECTOR	CONNECTEUR 5 POLES	STECKVERBINDER 5 POL.	CONNECTOR 5 POLES
13	2200321	CAVO 7 POLI	7 POLE CONNECTOR	CONNECTEUR 7 POLES	STECKVERBINDER 7 POL.	CONNECTOR 7 POLES
*	3600873	QUADRO ELETTRICO SCHUKO	ELECTRIC PANEL SCHUKO	TABLEAU SCHUKO	ELEKTRISCHE SCHALT.	ENTREPANO
*	3600892	QUADRO ELETTRICO - GB -	ELECTRIC PANEL - GB -	TABLEAU - GB -	ELEKTRISCHE SCHALT.- GB -	ENTREPANO - GB -
*	3600893	QUADRO ELETTRICO - CH -	ELECTRIC PANEL - CH -	TABLEAU - CH -	ELEKTRISCHE SCHALT.- CH -	ENTREPANO - CH -