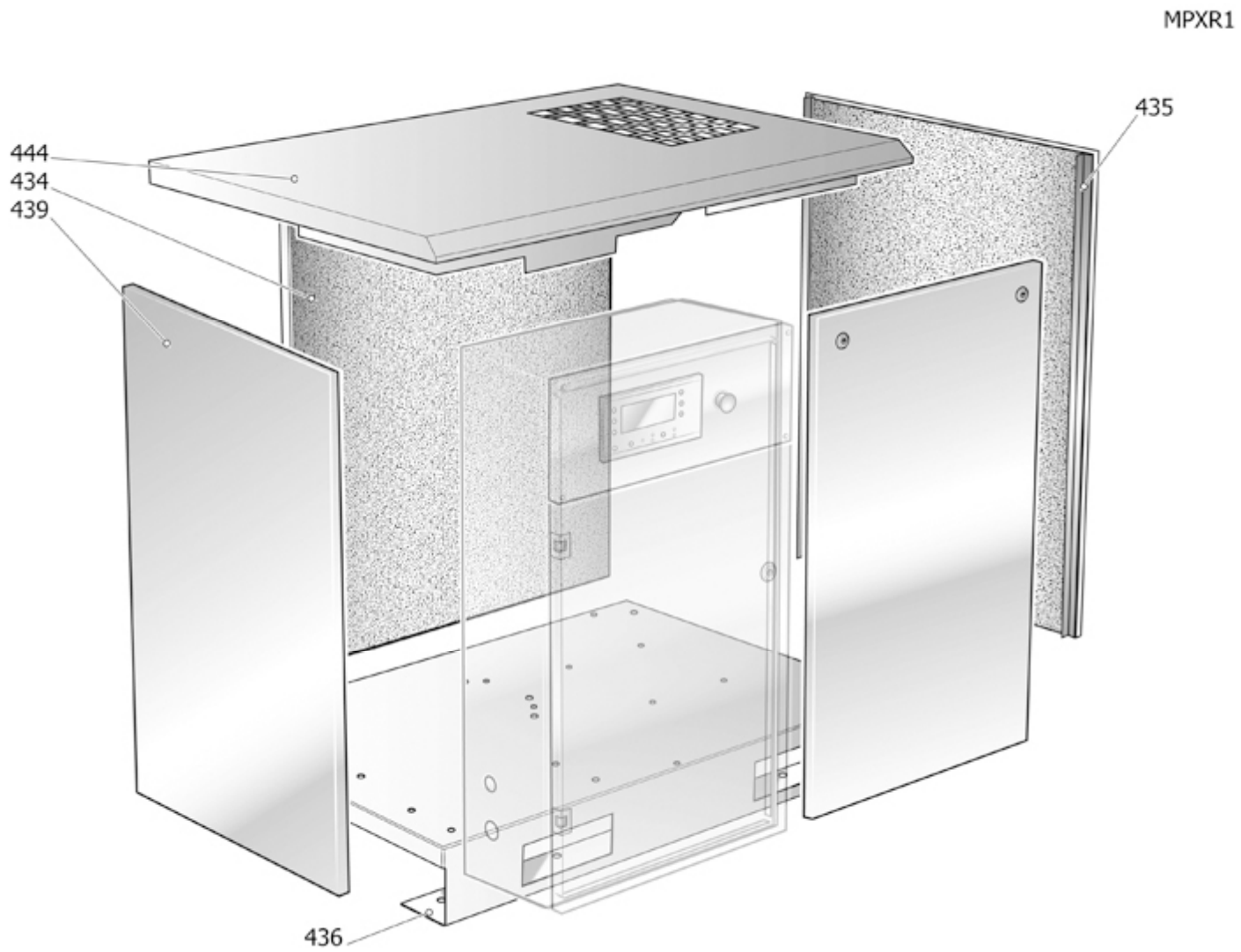




V91PS92FNM801

K-MAX 5,5-10-270 ES (IE3)

Pos	Component	MU	Multiplier
164	4101290	L-SHAPED COUPLING MF G3/8"	PZ 1,0
400	#451PT0101V44	COMPLETE HOUSING	PZ 1,0
421	#151PO0031V41	OIL SEPARATOR TANK	PZ 1,0
425		TANK COMPONENT	
436	#251PT0121V44	BASE PLATE	PZ 1,0
437	#251PT0124V60	FRONT DOOR	PZ 1,0
450		COMPRESSOR COMPONENT	
515	#048510000	DRYER	PZ 1,0
600	#451PS0125V44	ELECTRIC CABINET	PZ 1,0
1000		LONG LIFE KIT LIST	
3009	#191PC0020	HYDRAULIC HOSE BSP G1/2x710	PZ 1,0
3018	#160RL0002	OIL TUBE VT-COOLER L880 R30-40	PZ 1,0



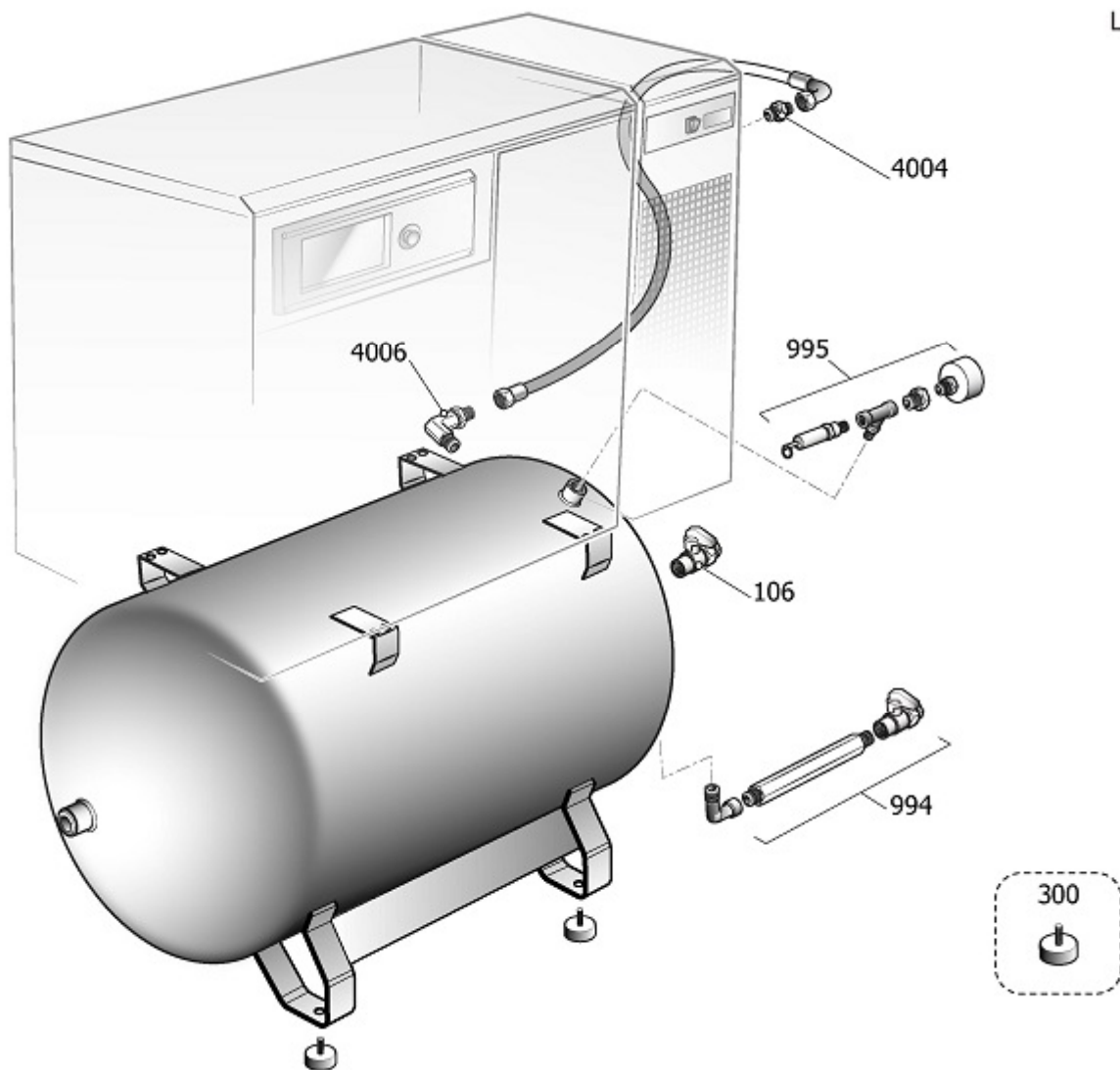


[451PT0101V44

COMPLETE HOUSING

Pos	Component		MU	Multiplier
434	#251PT0102V44	REAR PANEL	PZ	1,0
435	#251PT0013V44	RH REAR PANEL	PZ	1,0
439	#251PT0022V44	LH REAR PANEL	PZ	1,0
444	#251PT0107V44	UPPER PANEL	PZ	1,0

LPSR2

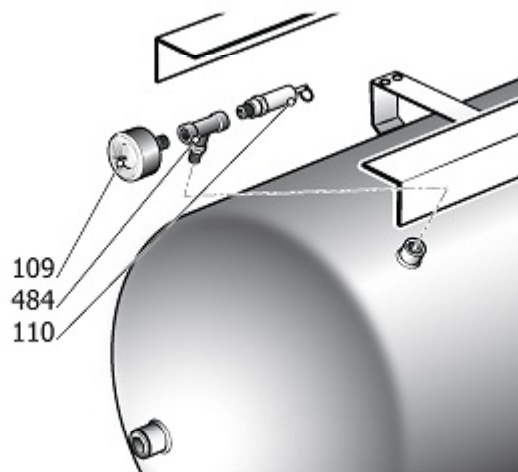




TANK COMPONENT

Pos	Component		MU	Multiplier
106	9047089	LINE COCK	PZ	1,0
994	9421512	CONDENSATE DRAIN KIT	PZ	1,0
995	9421744	KIT MN+VS 11B S_270 PLUS RAC.Y	PZ	1,0
4004	#011000418	RACC.ADT.MM 1/2" BSP	PZ	2,0
4006	#011000411	RACC.ADT.90\$MM 1/2"OR-BSP	PZ	2,0
4058	\$16901730	REDUCTION 3/4"-1/2"	PZ	2,0

KMVSP

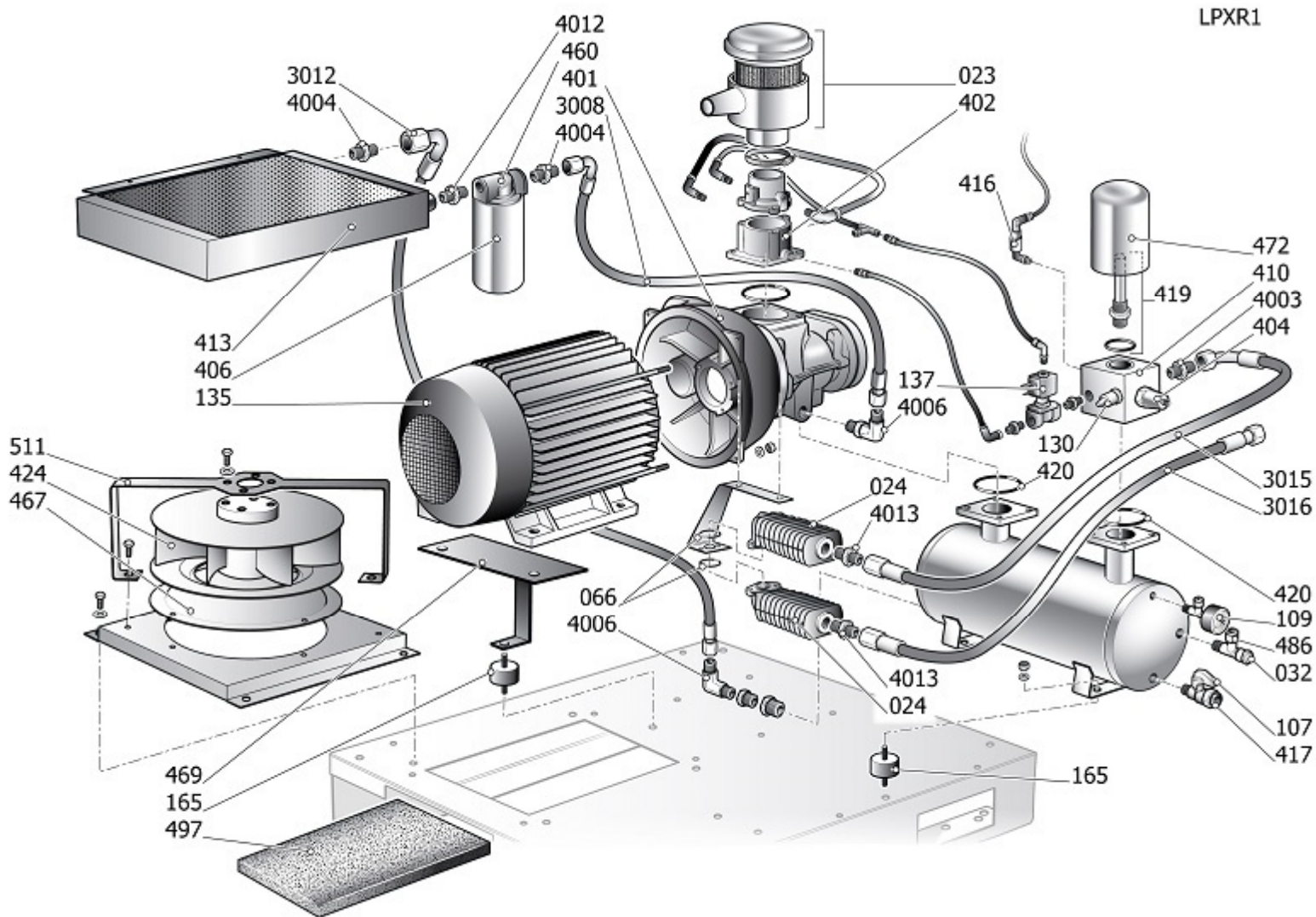




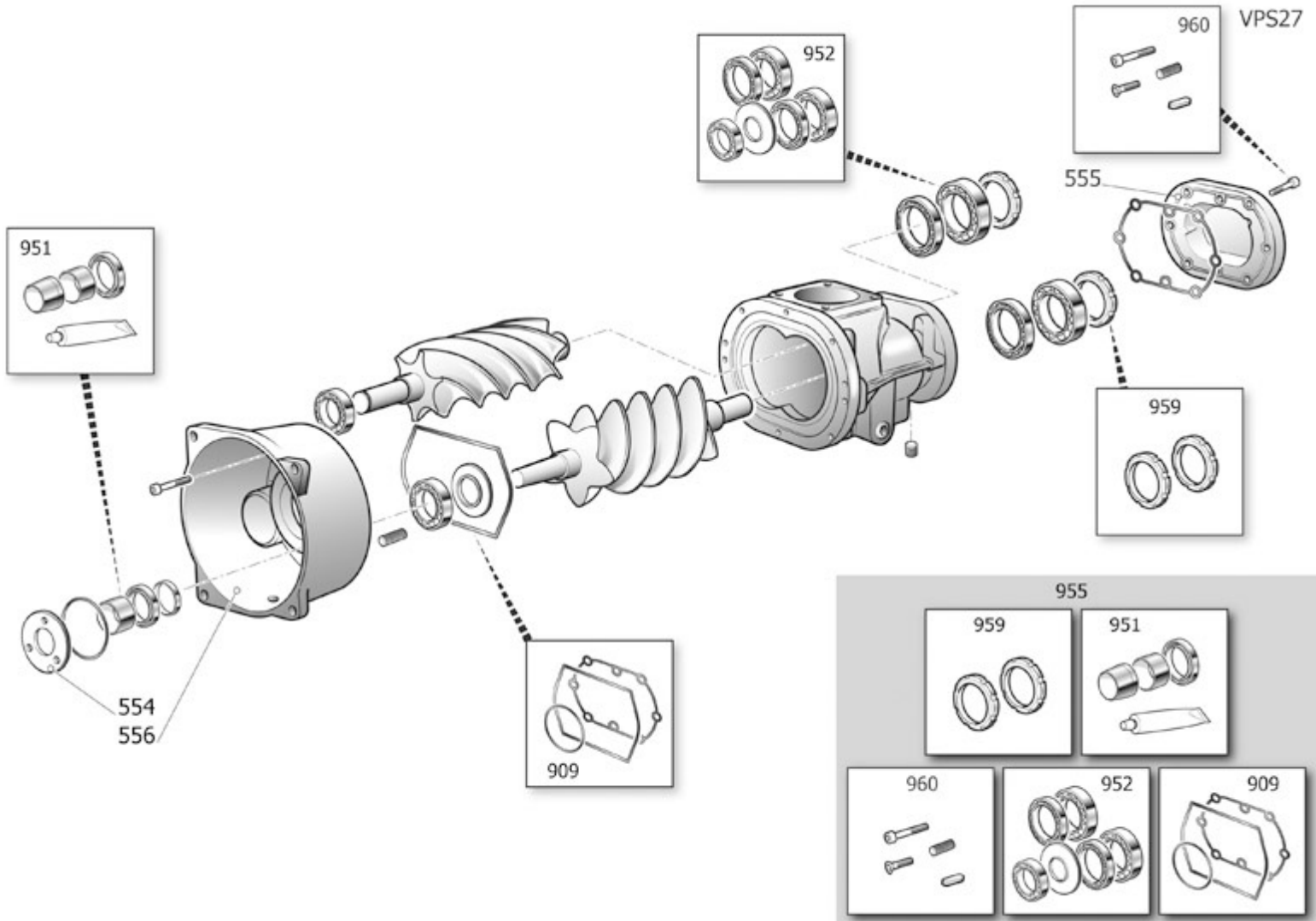
9421744

KIT MN+VS 11B S_270 PLUS RAC.Y

Pos	Component	MU	Multiplier
109	9052802 PRESSURE GAUGE	PZ	1,0
110	9049307 RELIEF VALVE	PZ	1,0
180	4105969 JOINT V 3/8 MFF B47480000	PZ	1,0



Pos	Component	MU	Multiplier
23	#317087000	AIR FILTER ASSEMBLY	PZ 1,0
24	#113163025	MANIFOLD	PZ 2,0
32	9411267	OIL LIGHT	PZ 1,0
66	#010012000	MANIFOLD SEAL	PZ 2,0
106	9047089	LINE COCK	PZ 1,0
107	#322055100	CONDENSATE DRAIN COCK	PZ 1,0
109	#330060100	PRESSURE GAUGE	PZ 1,0
130	9049309	RELIEF VALVE	PZ 1,0
135	#540H075622E3	MOTOR	PZ 1,0
137	#008195020	SOLENOID VALVE	PZ 1,0
165	#020027100	ANTIVIBR.D40 H30 2C.M8X23 60SH	PZ 4,0
165	#020135000	VIBRATION DAMPER MF 6040 M10	PZ 1,0
300	41K0174	WHEELS/FEET MOUNTING KIT	PZ 1,0
401	#5303000705	AIR END	PZ 1,0
406	9054200	OIL FILTER	PZ 1,0
408	#017092000	AIR FILTER CARTRIDGE 8UM D76	PZ 1,0
410	#347144000	AIR-OIL SEPARATOR BLOCK	PZ 1,0
413	#048492000	AIR-OIL RADIATOR	PZ 1,0
416	#012121000	OIL LIGHT	PZ 1,0
417	#012023000	OIL PLUG	PZ 1,0
419	#011376010	AIR-OIL SEPARATOR NIPPLE	PZ 1,0
420	\$30502700	OR VITON 3187 BROWN UNDER COOL	PZ 1,0
420	#010090000	O RING 4250 VITON	PZ 1,0
420	#010123000	O RING 2093 VITON	PZ 1,0
420	#010124000	O RING 2087 VITON	PZ 1,0
424	#024110010	ELECTRIC FAN	PZ 1,0
460	#248385100	OIL FILTER HEAD	PZ 1,0
469	#151PT0015V44	MOTOR PLATE	PZ 1,0
472	#048287000	SEPARATOR FILTER	PZ 1,0
486	#011999006	PLUG	PZ 1,0
497	#151PT0014	PREFILTER	PZ 1,0
511	#151PT0016V44	FAN SUPP.BRACKET D250 K-MID@	PZ 1,0
705	#419261011SGL	GR.ASP.10DC N/BP VKV 7,5 (1)	PZ 1,0
3008	#151PO0032	SEND.PIPE FLEX 1/2" 320MM	PZ 1,0
3012	#160LJ0027	TUBE FLEX 1/2" BSP FD+F90 L550	PZ 1,0
3015	#160LJ0047	TUBO FLX 1/2 BSP FD+F90 L550	PZ 1,0
3016	#160RL0007	TUBO FLX 1/2 BSP FD+F45 L425	PZ 1,0
4003	#011000417	RACC.ADT.MM 1/2" OR-BSP	PZ 1,0
4004	#011000418	RACC.ADT.MM 1/2" BSP	PZ 2,0
4006	#011000411	RACC.ADT.90\$MM 1/2"OR-BSP	PZ 2,0
4012	#011000409	RACC.ADT.MM 1/2" CON-BSP	PZ 1,0
4013	#011001275	RACC.ADT.MM 1/2"X3/4" NIPLOY	PZ 2,0
4037	#011353002	FITTING T MFF 1/2"	PZ 1,0
4038	#011000146	NIPPLE 1/2 MF HOSE	PZ 1,0
4039	9053913	RIDUZ.1"M 1/2"F OT.NICHEL.CEOK	PZ 1,0



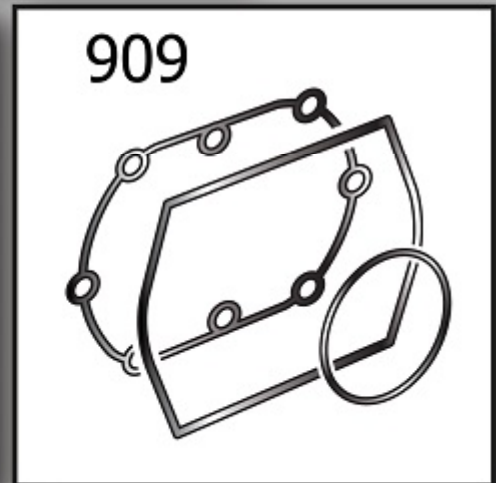
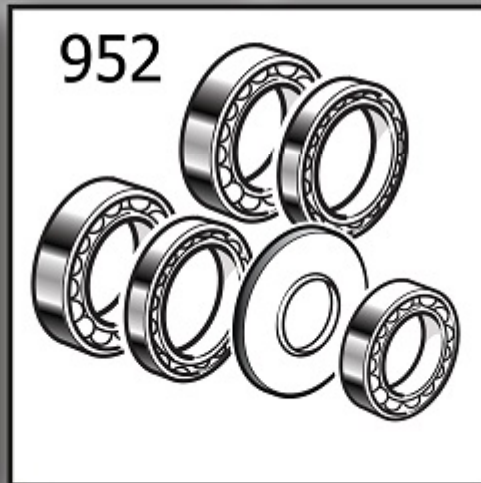
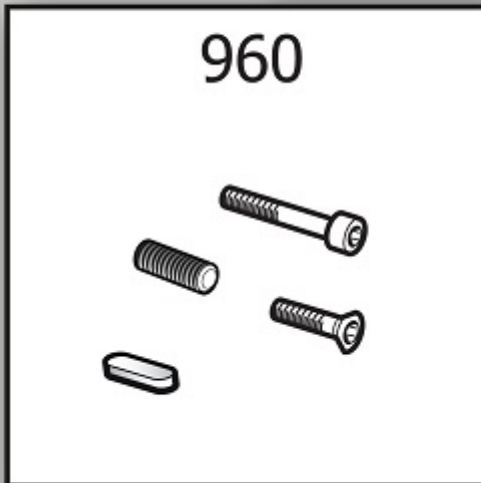
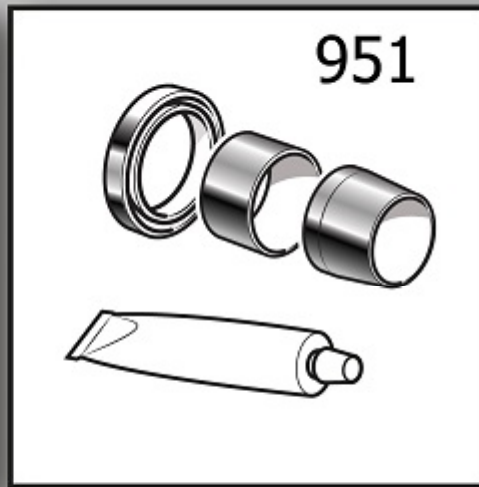
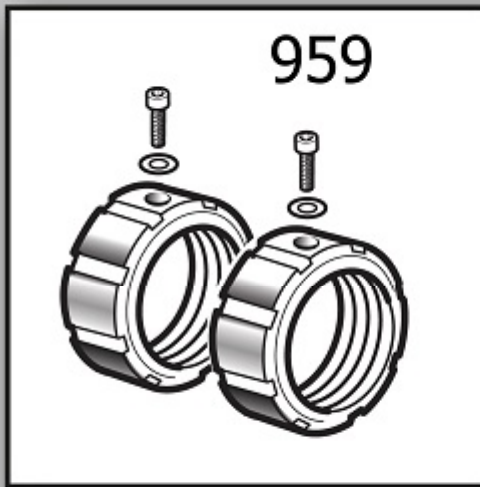


[5303000705

AIR END

Pos	Component		MU	Multiplier
554	#130300013	SEAL SUPPORT	PZ	1,0
555	#030300003	REAR COVER	PZ	1,0
556	#130300042	BELL/FRONT SUPPORT	PZ	1,0
955	#230300200	AIR END OVERHAUL KIT	PZ	1,0

955

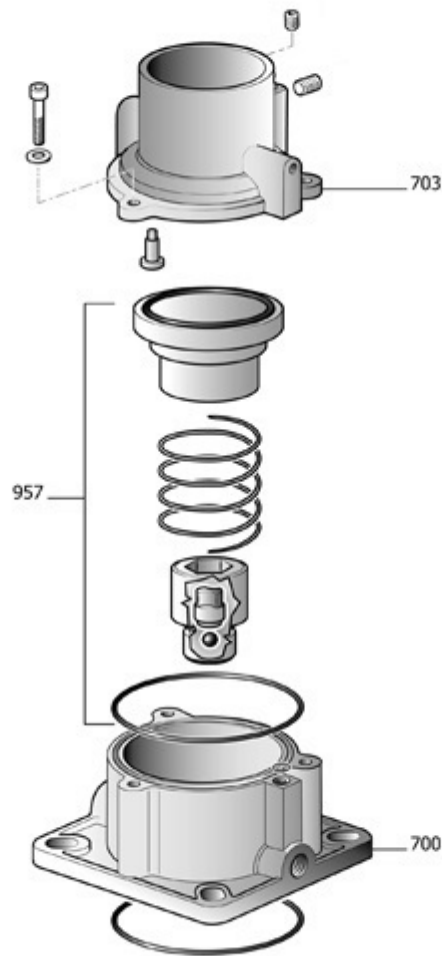




[230300200

AIR END OVERHAUL KIT

Pos	Component		MU	Multiplier
909	#230300250	KIT GASKET FS26TF/TFC/TM/TMC	PZ	1,0
951	#230300240	SEAL KIT	PZ	1,0
952	#230300230	BEARING KIT	PZ	1,0
959	#230300210	RING NUT KIT	PZ	1,0
960	#230300220	BOLTS AND SCREWS KIT	PZ	1,0

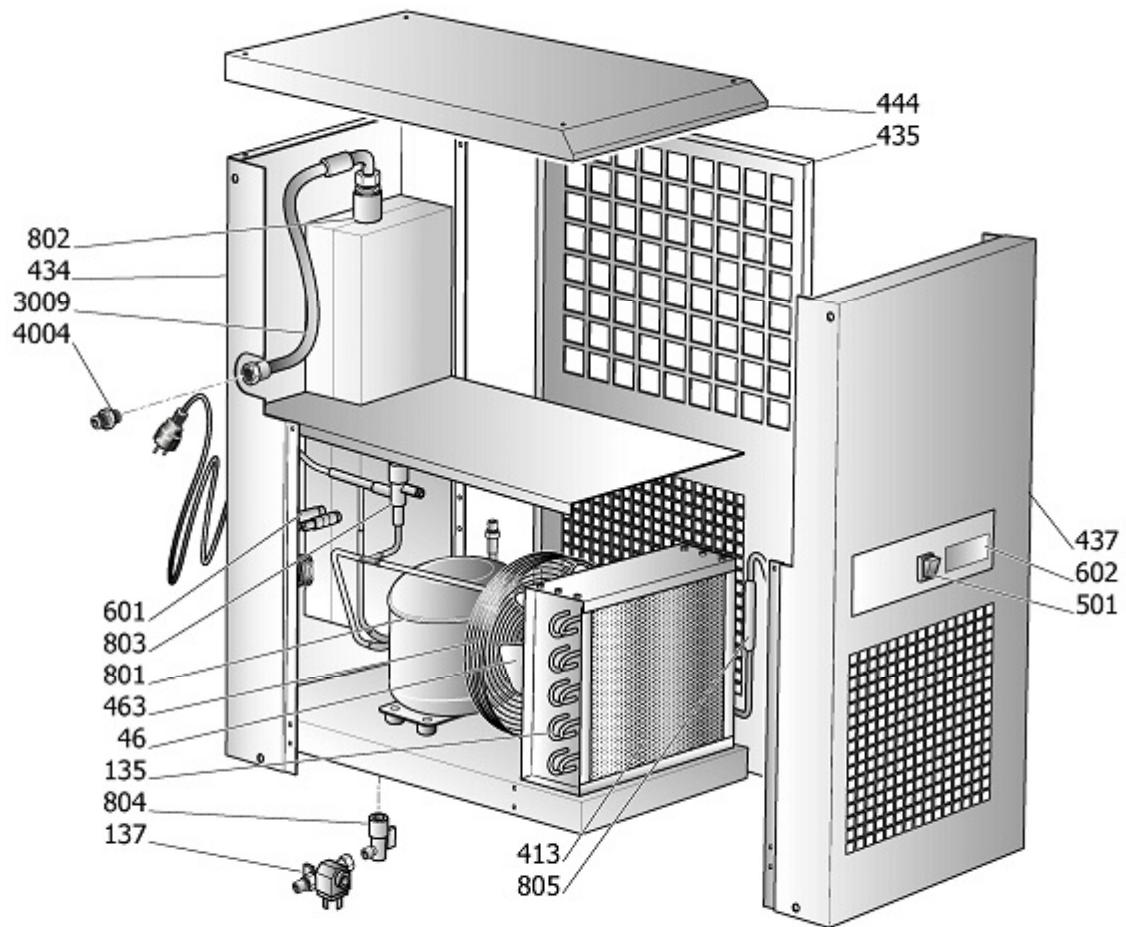




[419261011SGL

GR.ASP.10DC N/BP VKV 7,5 (1)

Pos	Component		MU	Multiplier
122	#047060000	SINGLE-ACTING VALVE	PZ	1,0
700	#199260001	AIR INTAKE VALVE	PZ	1,0
703	#199261004	FLANGE AIR FILTER IR10DC N/B	PZ	1,0
957	#260260050	INTAKE VALVE KIT	PZ	1,0



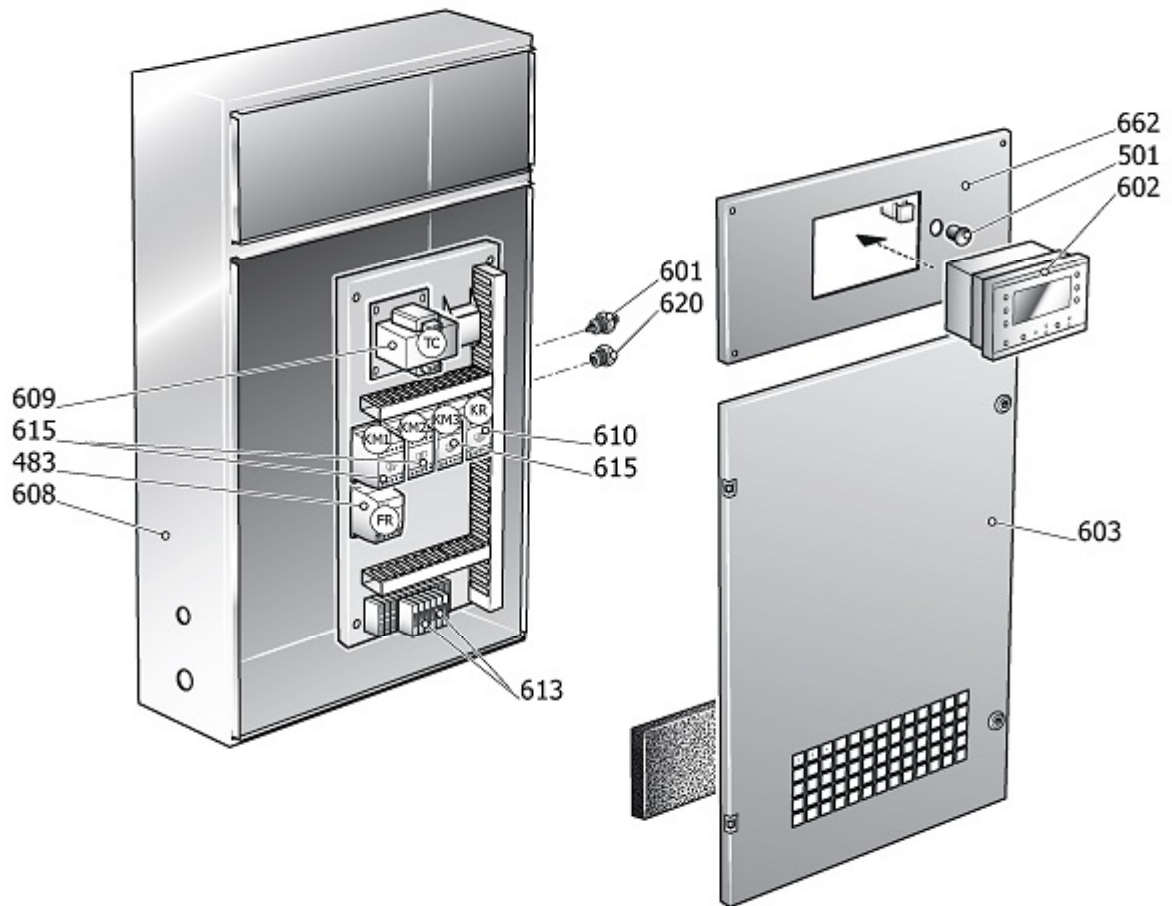


[048510000

DRYER

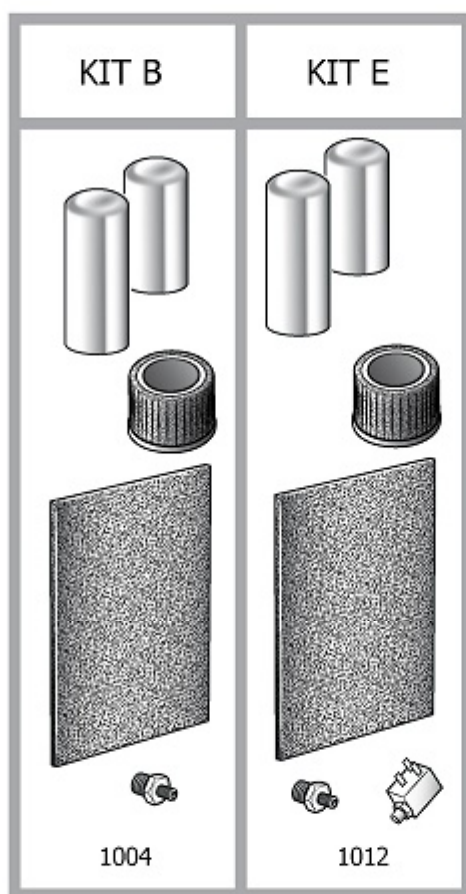
Pos	Component	MU	Multiplier
46	#048431011	FAN	PZ 1,0
135	#048500011	MOTOR	PZ 1,0
137	#048500014	SOLENOID VALVE	PZ 1,0
414	#048500009	AIR RADIATOR	PZ 1,0
434	#048510003V44	REAR PANEL	PZ 1,0
435	#048510004V44	RH REAR PANEL	PZ 1,0
437	#048510002V44	FRONT DOOR	PZ 1,0
444	#048510005V44	UPPER PANEL	PZ 1,0
496	#048431012	FAN GRILLE	PZ 1,0
502	#048431013	SWITCH/SELECTOR	PZ 1,0
601	#048431031	TEMP. PROBE	PZ 1,0
602	#048501015	CONTROLLER	PZ 1,0
801	#048500120	COMPRESSOR FOR DRYER	PZ 1,0
802	#048510001	ALU-DRY MODULE	PZ 1,0
803	#048500026	PILOT VALVE	PZ 1,0
804	#048501002	SERVICE VALVE	PZ 1,0

EPXR1



Pos	Component	MU	Multiplier
176	E0M13C403875	CONNECTOR	PZ 1,0
483	9064853	THERMAL CUTOUT	PZ 1,0
501	EOP270KIT216	E-STOP BUTTON	PZ 1,0
601	#008333000	TEMP. PROBE	PZ 1,0
602	#305420000SGL	CONTROLLER	PZ 1,0
603	#151PT0103V44	ELECTRIC COMPT. DOOR	PZ 1,0
608	#151PT0104V44	ELECTRIC COMPARTMENT	PZ 1,0
609	#005592000	TRANSFORMER	PZ 1,0
610	E0M040004	PHASE SEQUENCE RELAY	PZ 1,0
613	#005301000	FUSE 6,3X32 4A CERAMICO GF	PZ 2,0
613	#005429000	FUSE 6,3X32 1A	PZ 2,0
613	#005630000	FUSIBILE 6,3X32 2A CERAMICO GF	PZ 6,0
615	E0M013201	CNT.S00 7A 24V 3RT2015-1AB01	PZ 1,0
615	E0M013210	CNT.S00 9A 24V 3RT2016-1AB02	PZ 1,0
615	9064854	CNT.3RT2015-1AB02	PZ 1,0
615	9064855	CNT.3RT2016-1AB01	PZ 1,0
620	#008167010	TRANSDUCER	PZ 1,0
662	#151PT0105V44	CONTROL.FRAME ETIV	PZ 1,0

LLK37





LONG LIFE KIT LIST

Pos	Component		MU	Multiplier
1004	#260KTB15E	LLK A K-MAX 5.5-7.5	PZ	1,0
1012	#260KTE32E	LLK B K-MAX 5.5-7.5	PZ	1,0