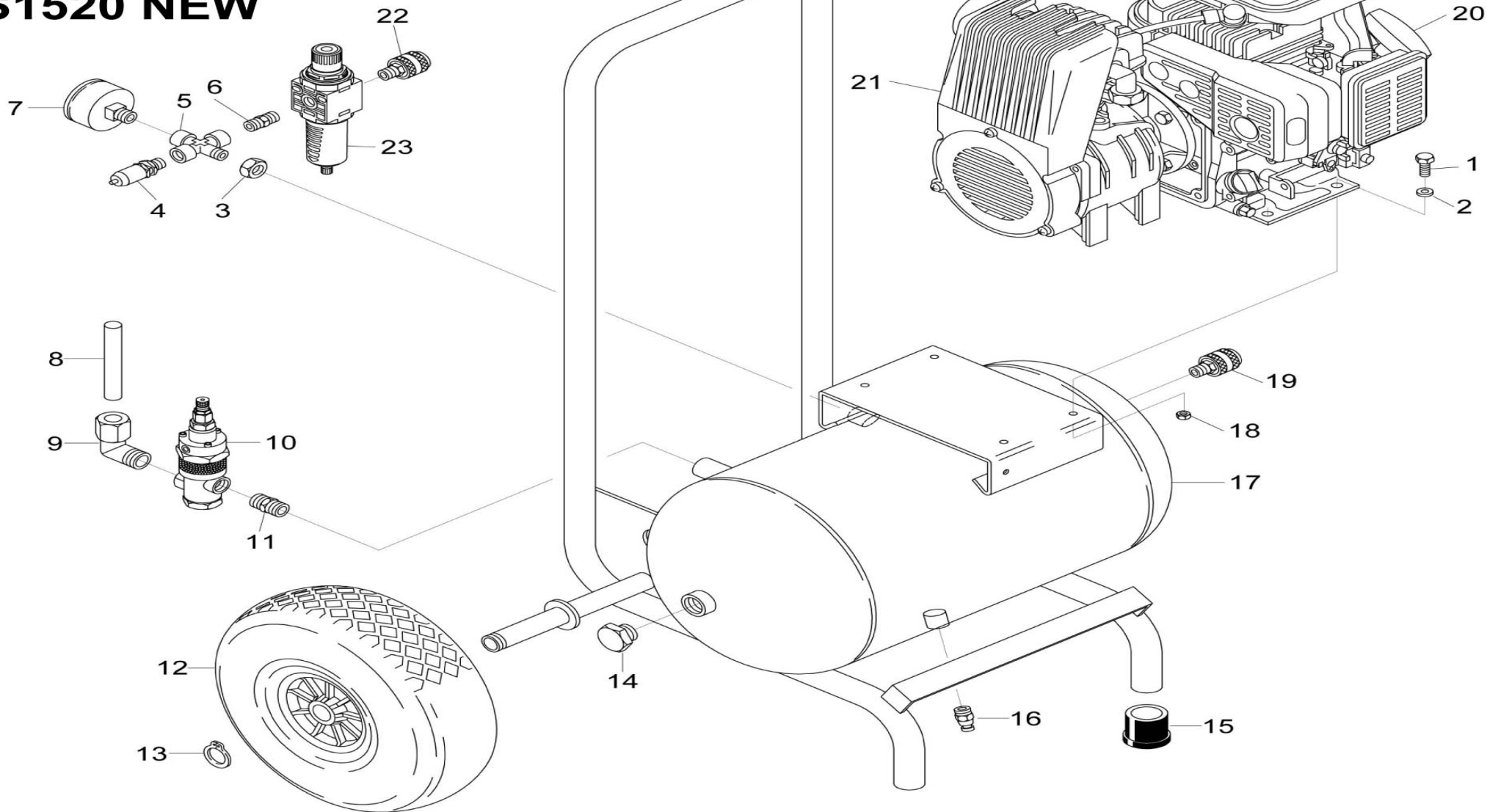




# MOTOCOMPRESSORE S1520 NEW



**S 1520**

validity date - from 27/09/2005

Ref.	Code	Description	Quantity
1	1127010135	Screw	4
2	1127030003	Washer	4
3	1127020305	Locking nut	1
4	1127190201	Safety valve	1
5	1127080491	Joint	1
6	1127080204	Joint	1
7	1127110043	Pressure gauge	1
8	1120013138	Infeed hose	1
9	1127080419	Joint	1
10	1127190510	Automatic unloading valve	1
11	1126000089	Joint	1
12	1127260040	Wheel	2
13	1127040004	Internal snapping	2
14	1127090003	Tank plug	2
15	1127360019	Rubber Foot	2
16	1127130016	Discharge tap	1
17	1125150027	Tank	1
18	1127020103	Nut	4
19	1127130060	Universal Tap	1
20	1127380011	Petrol engine	1
21	1122020201	Pump unit	1
22	1127130057	Universal Tap	1
23	1127100074	Lubrificator	1