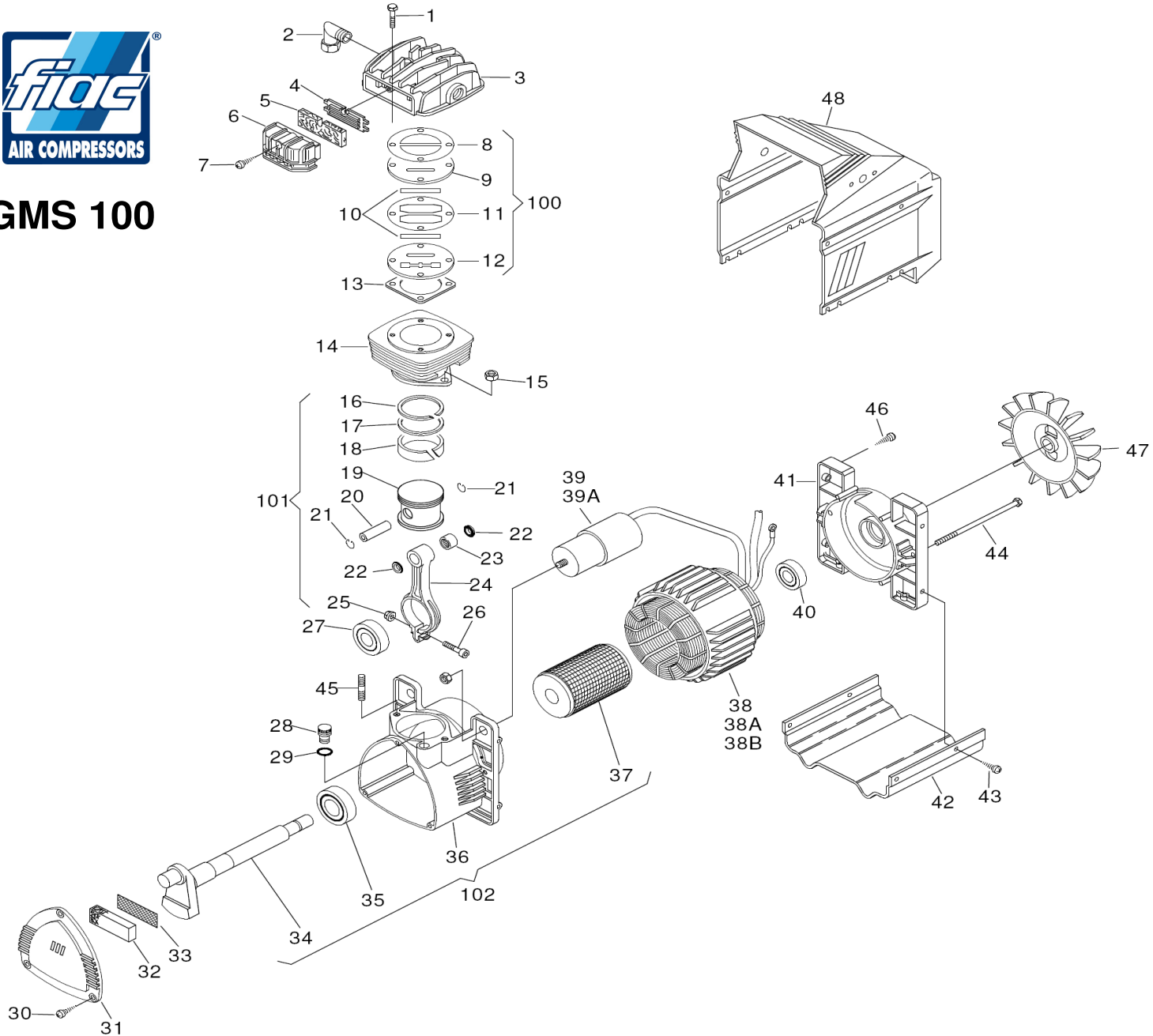




GMS 100



GMS 100

validity date - from 02/03/2011

Ref.	Code	Description	Quantity
1	1127010122	Screw	4
2	1127080404	Joint	1
3	1125030011	Head	1
4	1127450834	Filter plate	1
5	1127210001	Filtering element	1
6	1127210043	Filter cover	1
7	1127010210	Screw	1
10	1124080103	Set of valves	1
14	1127570503	Cylinder	1
15	1127020007	Nut	2
19	1127220030	Piston	1
20	1127050005	Piston pin	1
21	1127040101	Internal snapping	2
27	1127060014	Bearing	1
28	1127090801	Plug	1
29	1127070007	O-ring	1
30	1127010206	Screw	3
31	1127150101	Carter cover	1
32	1127210012	Filtering element	1
33	1127450803	Filter plate	1
34	1125040029	Crankshaft	1
35	1120010185	Bearing	1
36	1125070032	Crankcase	1
37	1125090033	Rotor	1
38	1124010008	Motor V230/50-1	1
39	1127310010	Capacitor	1
40	1127060001	Bearing	1
41	1125110006	Covering	1
42	1127170037	Base	1
43	1127010229	Screw	4
44	1127010801	Screw	2
45	1127010502	Stud bolt	2
46	1127010306	Screw	1
47	1127200128	Fan	1
48	1127150042	Housing	1
100	1124080264	Valve plate Kit	1
101	1124190114	Con rod/Piston Kit	1
102	1120003286	Carter/Shaft/Rotor unit	1
103	1124080209	Gasket kit	1
104	1120022282	Valve plate	2
105	1124080004	Piston rings kit	1
106	1124190032	Con rod Kit	1

