

Spare Parts Catalogue

KIT AMF +3PH SENSING 14 Poles with 14 Poles connector

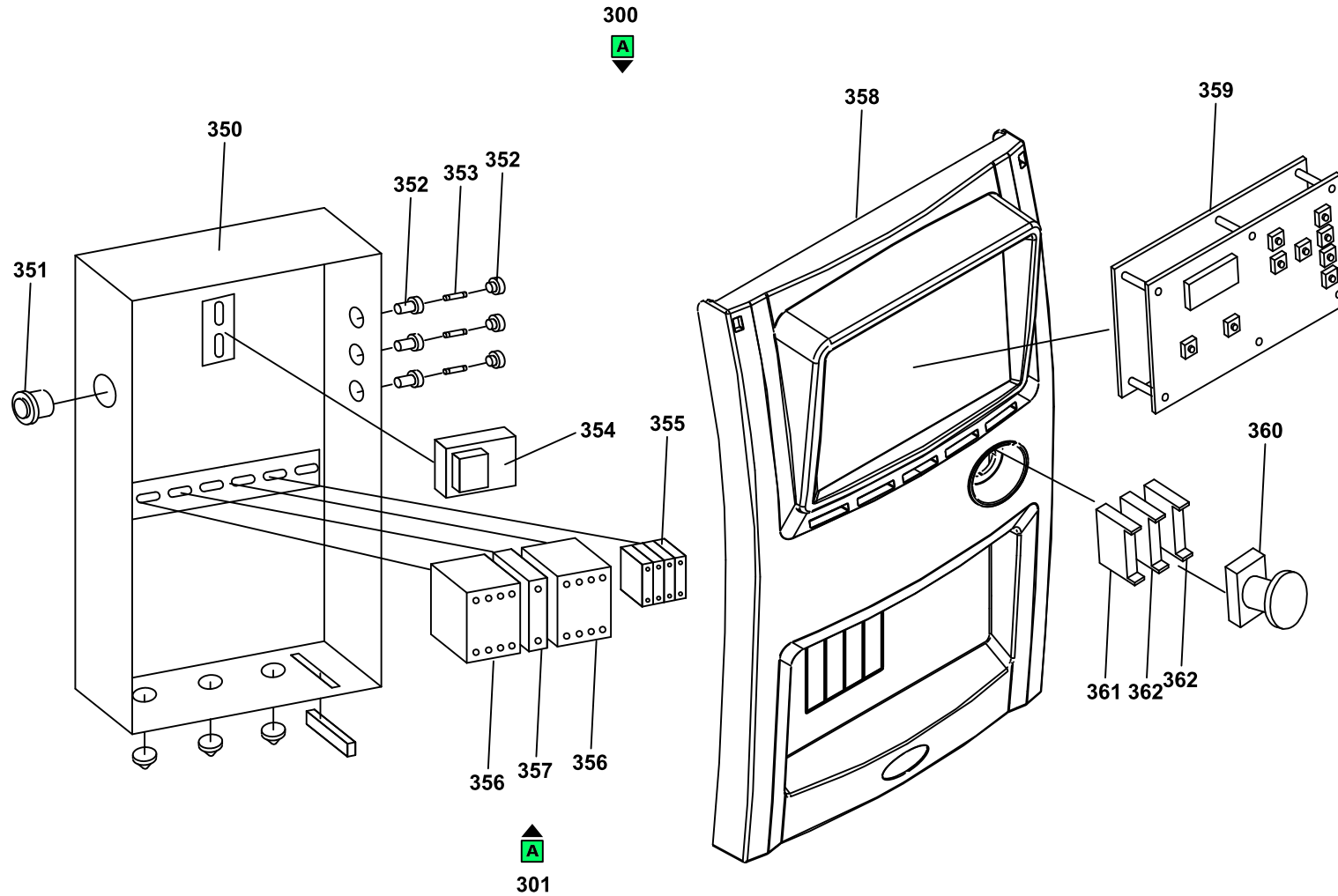
Generating sets

Valid for machine code: PY000A0001T

Revision: 0 (05/2023)

KIT AMF +3PH SENSING 14 Poles with 14 Poles connector - Machine code: PY000A0001T

Spare Parts Catalogue KIT AMF +3PH SENSING 14 Poles with 14 Poles connector - Revision: 0 (05/2023)



POSITION	PART NUMBER	DESCRIPTION	NOTES
300	G078914	AUTOMATIC MAIN FAILURE PANEL AT206-17P REV.1	
350	PTF3450601L001P	REAR COVER AT206	
351	PTF213006	BUZZER	
352	PTF5050061	FUSE HOLDER 15A 250V	
353	PTF5000135	FUSE 250V 2A	
354	PTF00001	BATTERY CHARGER 230V/0,8A	
355	PTF230PN06	BLU CLAMP UT 6	
356	PTF00013	CONTACTOR AMF AT206-17P	
357	PTFBFX5001	CONTACT NC	
358	PTF226AT206	FRONT PANEL AT-206	
359	PTFTE806	BOARD TE806 12V. AMF AT206	
360	PTF200015	EMERGENCY BUTTON	
361	PTF200015C	NO CONTACT FOR EMERGENCY BUTTON	
362	PTF200015B	NC CONTACT FOR EMERGENCY BUTTON	
363	PTF230P06	CLAMP UT 6 34A	