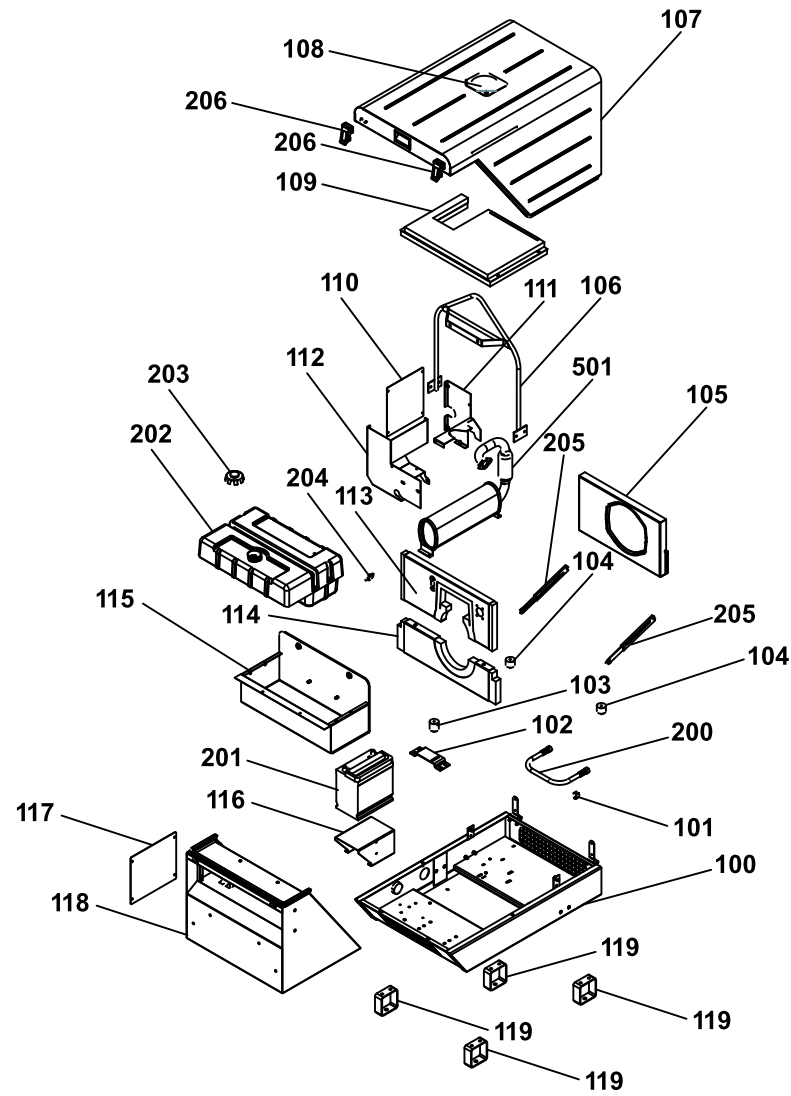


## Spare Parts Catalogue

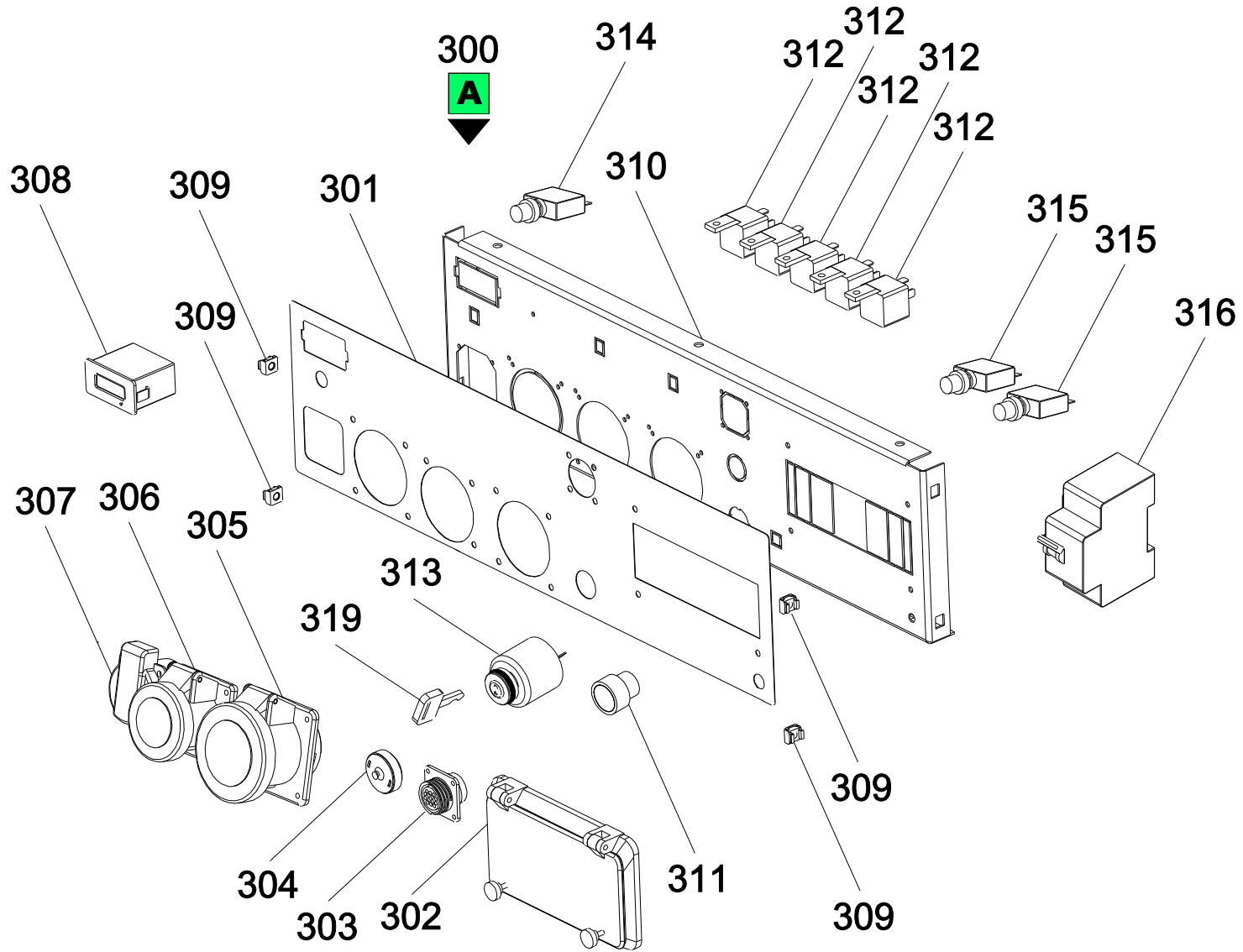
# P12000-2012-MONOFASE+CONN+DPP

### Generating sets

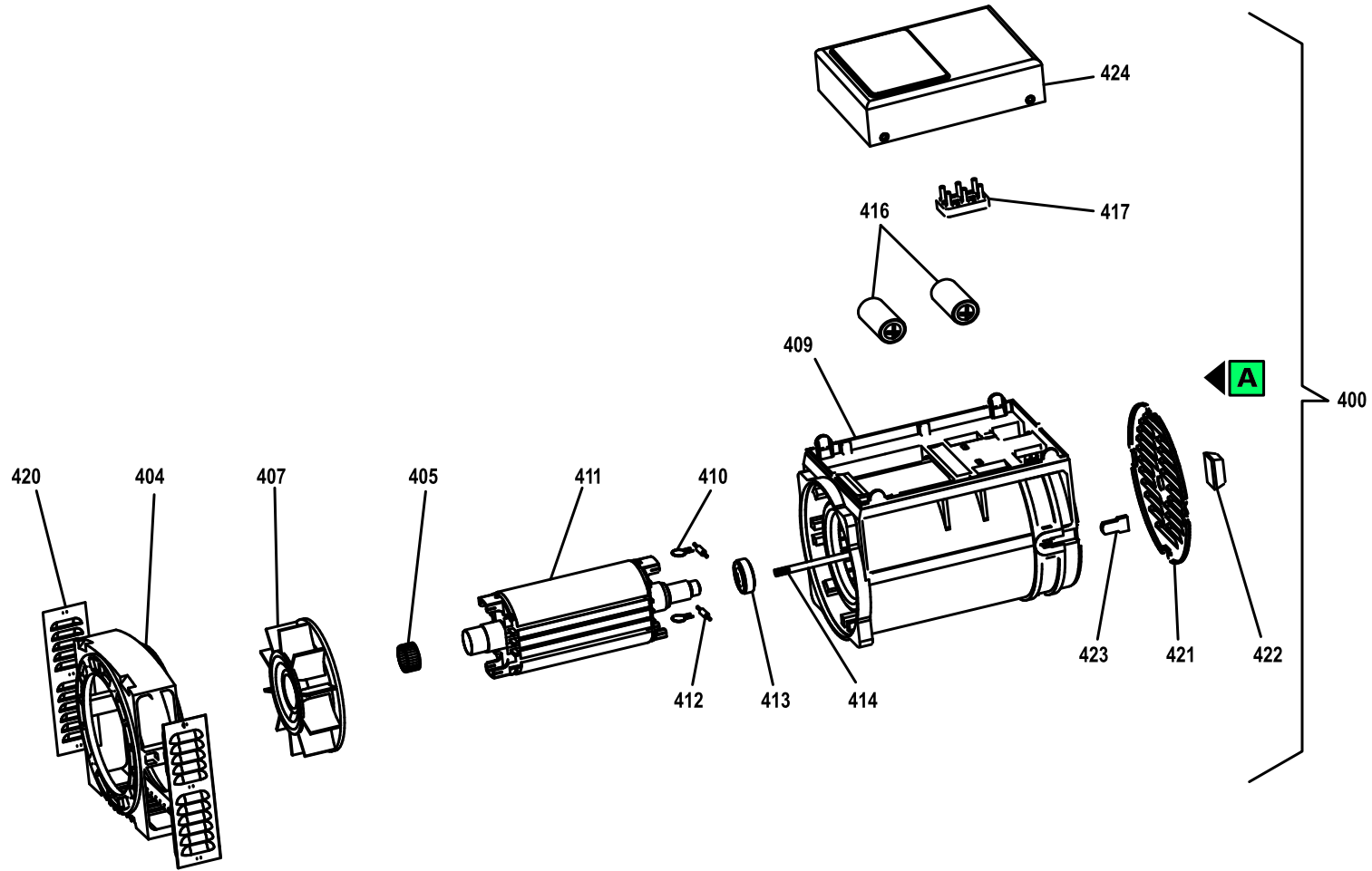
Valid for machine code: PF103SHBY0A  
Revision: 0 (04/2016)



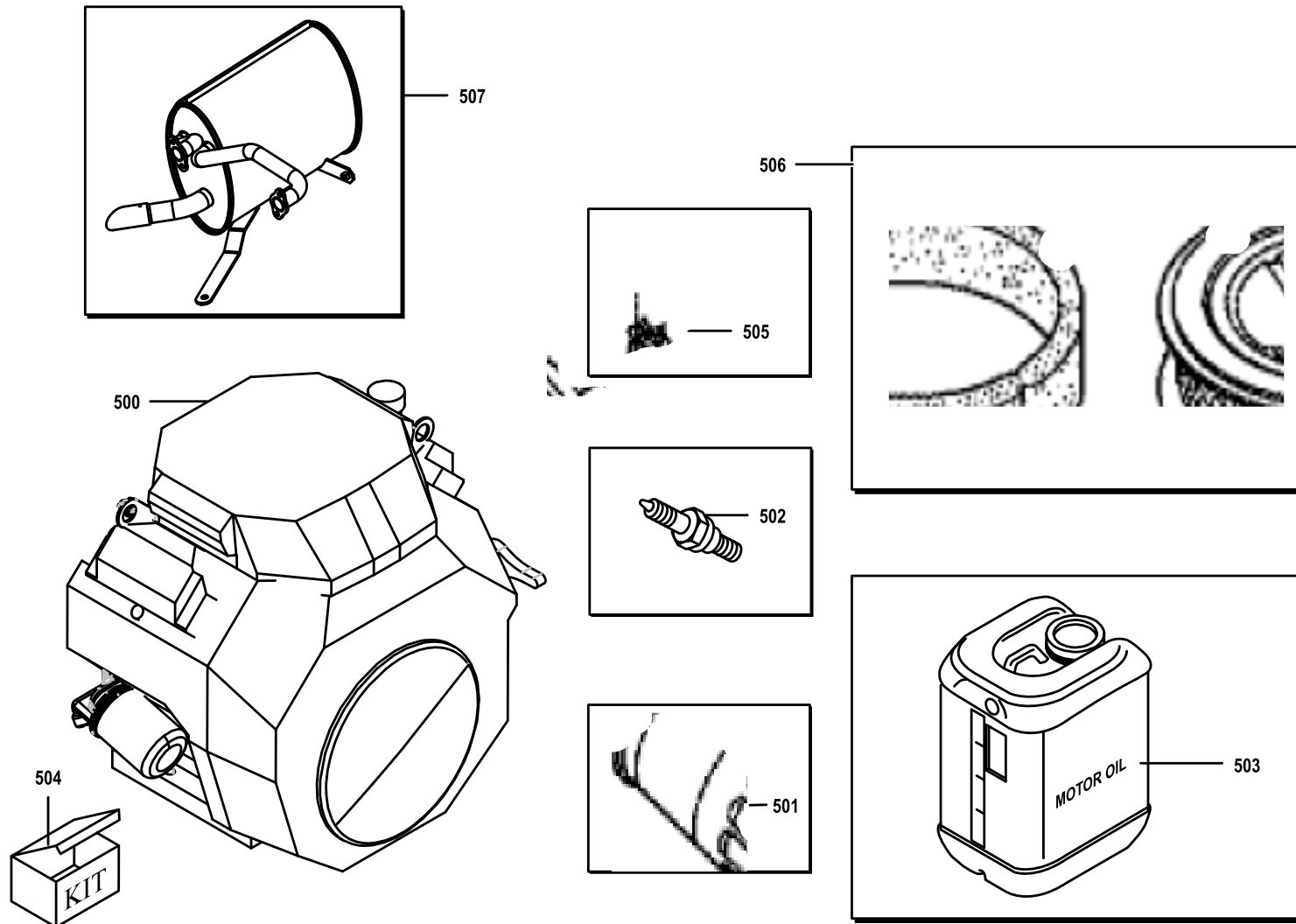
POSITION	PART NUMBER	DESCRIPTION	NOTES
100	VM5C904011-9005B	BASEFRAME P6000/9000/12000 RESTYLING V2 (PAINTED RAL 9005B)	
101	G001155	METALLIC PIPE CILP 20MM DIAM. (JET PRESS REF. CAC287 PPBLK )	
102	VM1198-9005B	SOPORTE ALTERNADOR LINZ PARA P9000 RESTYLING (PINTADA)	
103	G052120	CYLINDRIC SILENT-BLOCK MF-40x40-M8x14-M8-45	
104	G052112	CYLINDRIC SILENT-BLOCK MF-30x30-M8x15-M8-60	
105	SM5Z002502	SEPARADOR MOTOR P12000 RESTYLING HONDA (FORRADO)	
106	VM5E904004-9005B	LIFTING BASEFRAME P6000 REV.01 RESTYLING (PAINTED)	
107	SM5Z001949	CANOPY P12000 RESTYLING V2 HONDA (ASSEMBLY RAL PRAMACB)	
108	VA9475-9005B	COVERAGE BUTTONHOLE OF LIFTING P6000S PAINT BLACK	
109	SM5Z001899	TUBULADURA DIVISORIA EN CARROCEÍA P12000 RESTYLING FORRADA RAL 9005B	
110	GM1390	DEFLECTOR AIRE CALIENTE MOTOR HONDA PLEGADO EN CHAPA GALVANIZADA	
113	SA50023007	ASSEMBLED TOP ALTERNATOR CONVEYOR	
114	SA50023006	SEPARADOR INFERIOR ALTERNADOR (FORRADO)	
115	SM5Z002305	FUEL TANK SUPPORT P6000 RESTYLING	
116	VA9748-9005B	PAINTED 45Ah BATTERY SEAT	
117	VA9754-9005B	PAINTED DOOR FOR BATTERY ACCESS Serie P	
118	SM5Z001946	SUPPORT CONTROL PANEL P12000 RESTYLING V2 (ASSEMBLY)	
119	VM5C805501-9005B	LEG OF BASEFRAME P6000s2 (PAINTED)	
200	G040730	PIPE OIL DRAIN 3/8 " - 3/8" L400	
201	G089126	BATTERY 45Ah 12V WITH ACID - 216x133x223	
202	SA10002904	FUEL TANK PETROL/DIESEL 24 LITERS	
203	G080215	FUEL CAP WITHOUT KEY - VENT HOLES ON TOP	
204	G085104	QUARTER TURN FUEL VALVE	
205	G040446	COVER SUPPORT ZINCED PLATE	
206	G040407	LOCK REF. (PADLOCK) Zn Ref. E2.18.01.04/6	
501	SM5R401152	MUFFLER COMPLETE KIT P12000 RESTYLING	



POSITION	PART NUMBER	DESCRIPTION	NOTES
300	SM5P912008	CONTROL PANEL MCP P RESTYLING 40A 2P I CONEX. 1PH 50HZ 12V + CONN + DPP	
301	G002461	LABEL FOR P12000 SF CONTROL PANEL + CONN + DPP	
302	G070312	IP55 COVER 8 MODULES DIN	
303	G071021	FEMALE CONNECTOR 14CONTACTS COM. DIST.	
304	G071091	SEALING CAP WITH BEAD CHAIN - 14 POLES CONNECTOR	
305	G071136	SOCKET 2P+T 230V 32A IP44 CEE	
306	G071121	PANEL MOUNT SOCKET 2P+T 230V 16A IP44 CEE	
307	G071131	SOCKET SUBASSEMBLY, POWER SUPPLY	
308	G077009	DIGITAL MULTIMETER FOR PANEL (92V-260V) (50-60Hz)	
309	G034904	CAGE NUT M6 GALV. (TH. 1.8-2.6 8.3x8.3)	
310	GA9751	NEW SHEETMETAL PANEL FOR P SERIES	
311	G075171	BLACK PUSH BUTTON NOT ILLUMINATED FOR 22 HOLE WITH LOCK NUT	
312	G079583	RELE' 12V 1 30/20A 12.040.000	
313	G075310	STARTER KEY SWITCH	
314	G075534	THERMAL CIRCUIT BREAKER 30A 250V	
315	G075561	THERMAL CIRCUIT BREAKER 16A 240V	
316	G075594	DIFFERENTIAL MAGNETOTHERMAL BREAKER 2P 40A 230V 0.03A 4.5kA	
319	G76926	KEY BLOCK BODY FOR STARTER SWITCH	



POSITION	PART NUMBER	DESCRIPTION	NOTES
400	AMS10000CB0000Y	ALTERNATOR S20FS 160/A 10/115/230/50/3000 J609b - BLIND LOW COVER - ROD VANGUARD - MECC-ALTE	
404	G70695	COVER B9/J609b TR2/MR2	
405	G70693	COMPENSATOR RING (MOD. BN 35X23)	
407	G70703	FAN TR2/MR2	
410	PAM9910356050	DIODE D2/125 25A	
412	G70459	VARISTOR Z-10-L-561	
413	G70704	REAR BEARING 6205-2Z	
417	PAM0391100113	BOARD TERMINAL MECC ALTE S20F	
420	G70929	PROTECTION GRID MR2-TR2 B9/J609b	
421	G70700	REAR SHUTTER TR2/MR2	
424	G69996	BLIND COVER TR-2/MR-2	





POSITION	PART NUMBER	DESCRIPTION	NOTES
500	EHA208CB05Z	Engine Honda GX630RH VXP2 SD Air_3000_Mech_J609b-_12Vdc__Ver/Sp:	
501	PEH15400-RBA-F01	Substitute with PEH15400-PLM-A02PE	
502	PEH98079-5587G	SPARK	
503	P3KI00299	Kit Pramac Power	
504	P3KI00142	KIT S12000-SP12000-P12000 GX630	
505	PEH16910-Z6L-003	FUEL FILTER	
506	PEH17210-Z6L-010	FILTER AIR	
507	▲ SA40002914	MUFFLER HONDA GX630 FOR S12000	Attention: this item is valid for machines produced until 25/08/2014 Interchangeable: YES
507	▲ SA40002918	MUFFLER HONDA GX630 FOR S12000 - MTS	Attention: this item is valid for machines produced from 25/08/2014 Interchangeable: YES