

Spare Parts Catalogue

S8000-2015-THREEPHASE-ELEC.STARTER+AVR+IPP

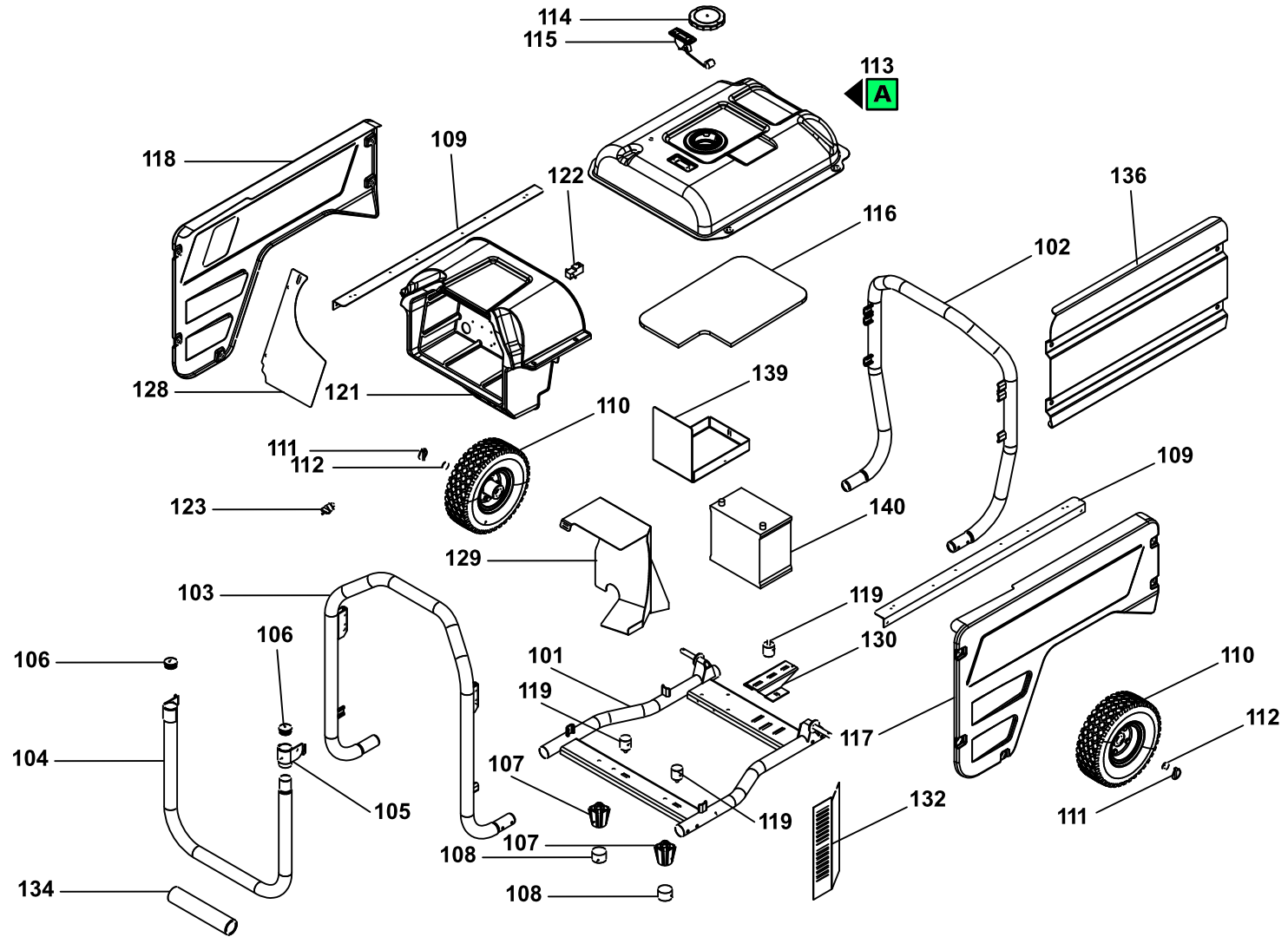
Generating sets

Valid for machine code: PD652THBZ03

Revision: 0 (09/2015)

S8000-2015-THREEPHASE-ELEC.STARTER+AVR+IPP - Machine code:
PD652THBZ03

Spare Parts Catalogue S8000-2015-THREEPHASE-ELEC.STARTER
+AVR+IPP - Revision: 0 (09/2015)



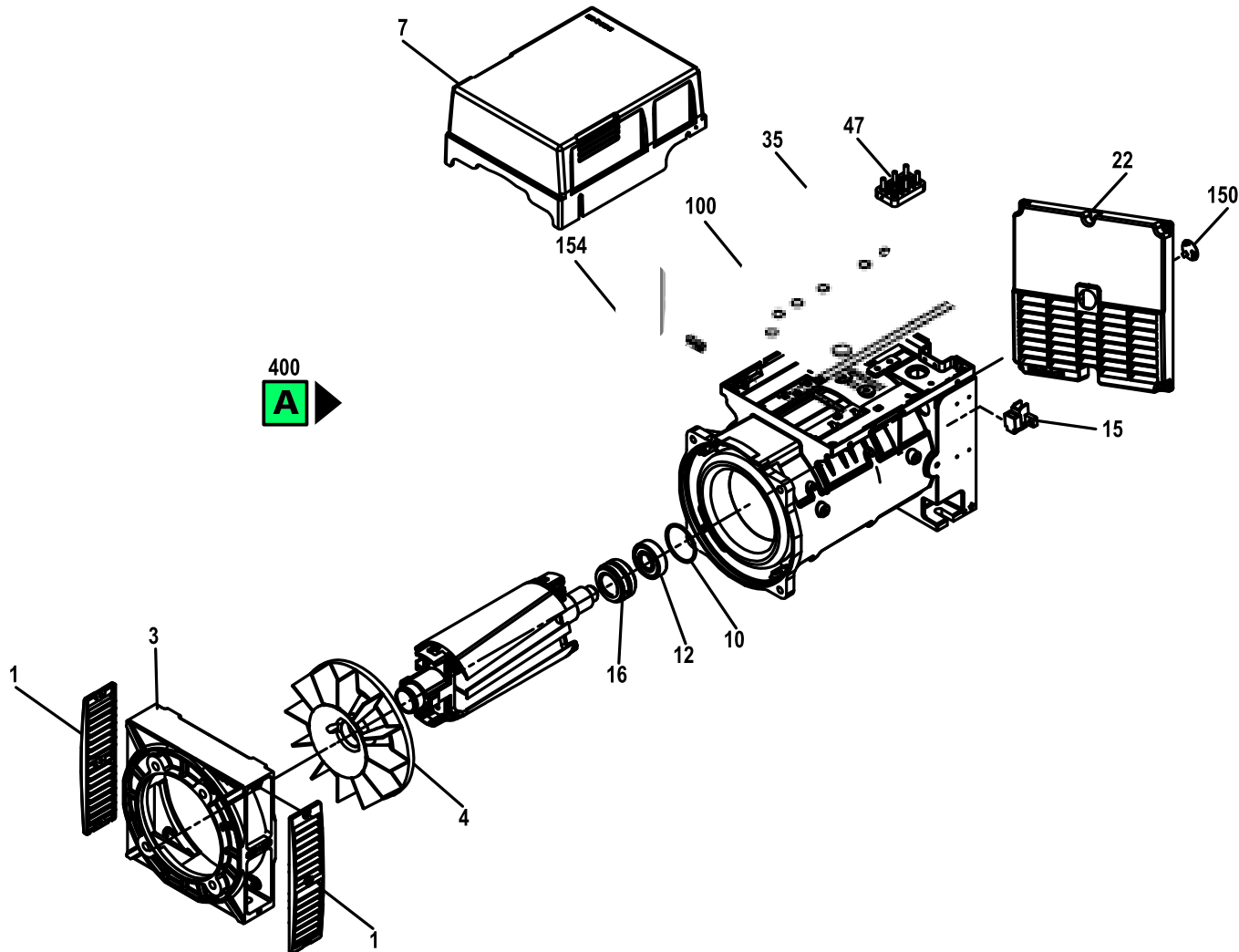
POSITION	PART NUMBER	DESCRIPTION	NOTES
101	VA40016040-9005B	PAINTED CENTRAL PART OF MULTIBODY FRAME	
102	▲ VA40016043-9005B	PAINTED ASSEMBLED PIPE ALTERNATOR, MULTIBODY FRAME	Attention: this item is valid for machines produced with serial number until HWI10040693 Interchangeable: NO
102	▲ VA40016066-9005B	PAINTED ASSEMBLED PIPE ALTERNATOR, MULTIBODY FRAME	Attention: this item is valid for machines produced with serial number from HWI10040693 Interchangeable: NO
103	VA40016045-9005B	PAINTED ASSEMBLED PIPE ENGINE, MULTIBODY FRAME	
104	VA40016049-9005B	PAINTED ASSEMBLED CARRYING HANDLE	
105	VA40016047-9005B	PAINTED MOBILE CONNECTION FOR CARRYING HANDLE	
106	G051519	PLASTIC CAP Ø 35 BLACK	
107	GA7021	FEET SUPPORT +NUT+SCREW	
108	G052956	RUBBER FEET 85 SH-A	
109	GA7032	METAL SHEET SUPPORT FOR 26,5 L FUEL TANK	
110	G052444	WHEEL 3,5"X10" RUBBER FILLED FLAT TREAD, BLACK RIM WITH SPHERE BEARINGS	
111	G44208	BELL SPLIT PIN D4.5(P.N.115 AMA)	
112	G041908	PLAIN WASHER 6592 13x24 ZN	
113	SA40016052	FUEL TANK WITH SUPPLEMENTS	
114	G051521	SHELL FUEL CAP FOR METAL TANK - VENT HOLES ON TOP	
115	PGT00030	LEVELER ASSY OIL 6200/6250/7000	
116	SA40021903	THERMAL INSULATION FOR FUEL TANK NEW S5000-S8000	
117	VA40016700-PRAMACB	PAINTED RIGHT FOR MULTIBODY FRAME	
118	VA40016701-PRAMACB	PAINTED LEFT FOR MULTIBODY FRAME PAINTED	
119	G052120	CYLINDRIC SILENT-BLOCK MF-40x40-M8x14-M8-45	
121	SA40016055	CONTROL PANEL HOUSING FOR S SERIES RESTYLING	
122	▲ SA40016058	KIT ROTATING SOLENOID FOR HONDA CHOKE GX270-390 VPE	Attention: this item is valid for machines produced with serial number from HWI0019080 Interchangeable: NO
122	▲ G079016	ELECTROVALVE CHOKE S5-8000 NO DIRECT ACTION12Vcc	Attention: this item is valid for machines produced with serial number until HWI0019080 Interchangeable: NO
123	G085104	QUARTER TURN FUEL VALVE	
128	SA40016702	CARBURATOR CONVEYOR	
129	VA40016051-9005B	MUFFLER CONVEYOR PAINTED	
130	GA7028	ALTERNATOR SUPPORT	
132	▲ VA40016703-9005B	PAINTED K-KR100 ALTERNATOR CONVEYOR	Attention: this item is valid for machines produced until 24/03/2014 Interchangeable: NO
132	▲ VA40016053-9005B	PAINTED T-TR100 ALTERNATOR CONVEYOR	Attention: this item is valid for machines produced from 24/03/2014 Interchangeable: NO
134	G052008	COVERING FOR CARRYING HANDLE D.35 MM	
136	VA7092-9005B	BACKCOVER PAINTED S SERIES	

POSITION	PART NUMBER	DESCRIPTION	NOTES
139	VA7076-9005B	PAINTED BATTERY PLATE NEW SERIES S	
140	G089001	BATTERY 26Ah 12V SEALED - 205x132x185.5	

POSITION	PART NUMBER	DESCRIPTION	NOTES
300	SA40016979	NEW CONTROL PANEL S5000 - S8000 TP IPP ES - GE0496	
301	GA7039	METAL SHEET FOR CONTROL PANEL NEW S SERIES	
302	G070109	BATTERY CHARGER RED SCREW TERMINAL	
303	G071131	SOCKET SUBASSEMBLY, POWER SUPPLY	
304	G075310	STARTER KEY SWITCH	
305	G070110	BATTERY CHARGER BLACK SCREW TERMINAL	
306	G077014	DIGITAL MULTIMETER FOR PANEL (350V-450V) (50-60Hz)	
307	G070312	IP55 COVER 8 MODULES DIN	
308	G071121	PANEL MOUNT SOCKET 2P+T 230V 16A IP44 CEE	
309	G075540	MAGNETOTHERMIC SWITCH 3P 10+10+16A	
310	G070617	PANEL MOUNT FUSE HOLDER 6A (5x20)	
311	G071126	PANEL MOUNT SOCKET 3P+N+T 400V 16A IP44 CEE	
312	G070616	FUSE 10A 5X20 GLASS	
313	G070817	SEC. C FLASK FOR PR BAR	
314	G070822	OMEGA SUPPORT 7,5x35	
315	G075538	REMOTE SWITCH-OFF DEVICE (DIN)	
317	G075875	GREEN PUSH BUTTON ABB	
318	G075876	RED LIGHT PUSH BUTTON ABB	
319	-	DESCRIPTION N/A	
320	G76926	KEY BLOCK BODY FOR STARTER SWITCH	

S8000-2015-THREEPHASE-ELEC.STARTER+AVR+IPP - Machine code:
PD652THBZ03

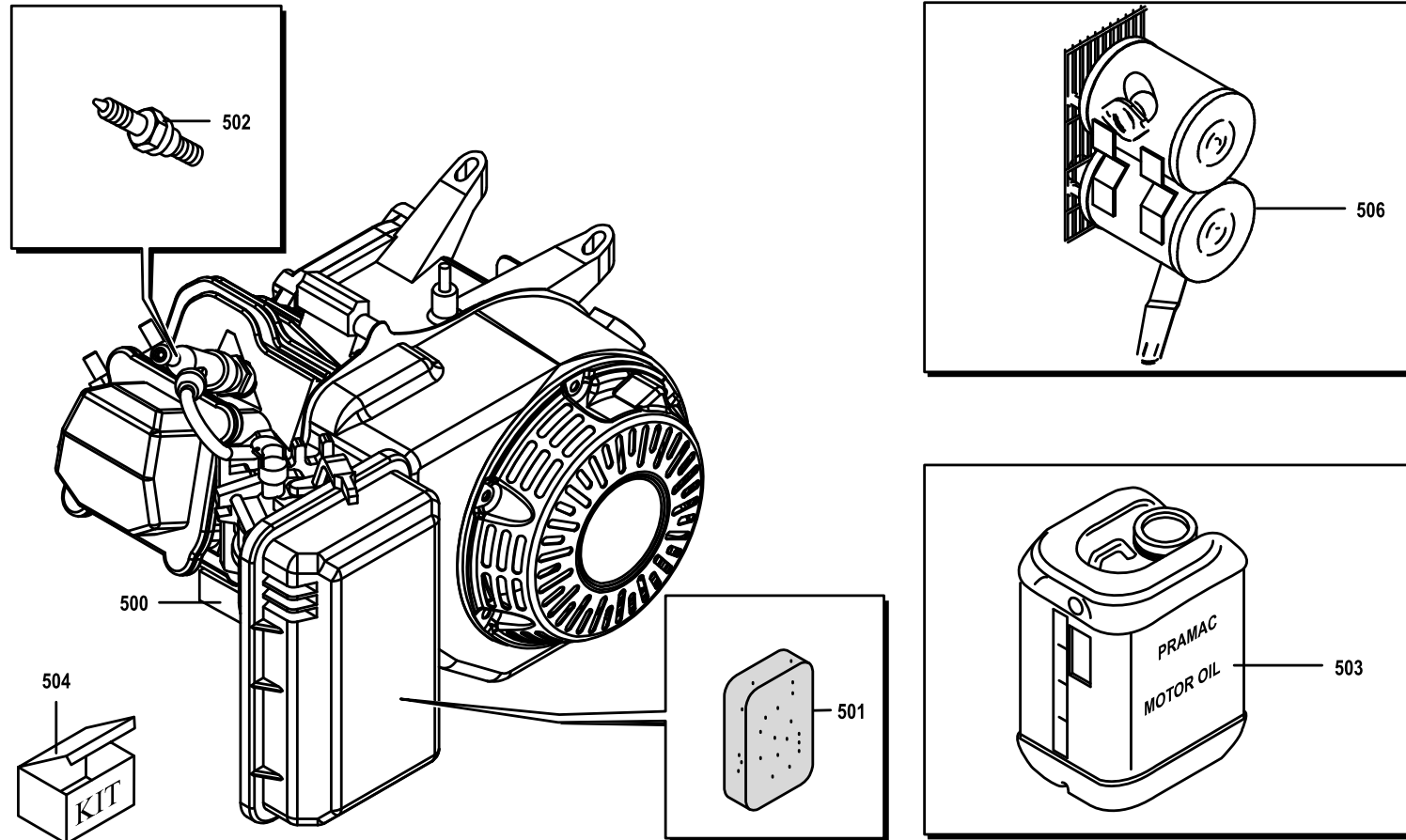
Spare Parts Catalogue S8000-2015-THREEPHASE-ELEC.STARTER
+AVR+IPP - Revision: 0 (09/2015)



POSITION	PART NUMBER	DESCRIPTION	NOTES
3	PAN3SLA10012	SCUDO ANTERIORE J609	
4	PAN1VGA10003	FAN	
7	PAN00018	COVER T100	
12	G010401	BEARING 6204 2RS (20-47-14)	
15	G70181	BRUSHES SET EG3-A L=300	
16	G70180	SLIP RING ALT. EG 3-A	
22	PAN1GGA10011	BLIND COVER ALT. T100	
35	PANKPD25A02	PONTE RADDRIZZATORE MONOFASE 15°-200V	
47	PAN7MTP060502	MORSETTIERA UTILIZAZIONE	
100	PANKVR0860T	MR100LH VOLTAGE GOVERNOR	
150	PAN7PRTS0232	PLASTIC PLUG ES80	
154	PAN00004	FILTER EMC TR	
400	AIT7000EB000XZ	ALTERNATOR TR100SC 7,0/230/400/50/3000/12 J609b - BLIND COVER - BC - IP23 - AVR - NSM	

S8000-2015-THREEPHASE-ELEC.STARTER+AVR+IPP - Machine code:
PD652THBZ03

Spare Parts Catalogue S8000-2015-THREEPHASE-ELEC.STARTER
+AVR+IPP - Revision: 0 (09/2015)



POSITION	PART NUMBER	DESCRIPTION	NOTES
500	▲ EHA130CB21W	Engine Honda GX390RT2 VPE9 Air_3000_Mech_J609b-_12Vdc__Ver/Sp:	Attention: this item is valid for machines produced until 26/02/2016 Interchangeable: YES
500	▲ EHA130CB21V	Engine Honda GX390RT2 VPP9 Air_3000_Mech_J609b-_12Vdc__Ver/Sp:	Attention: this item is valid for machines produced from 26/02/2016 Interchangeable: YES
501	PEH17211-899-000	AIR FILTER ELEMENT	
502	PEH98079-56846	SPARK PLUG BPR6ES	
503	P3KI00299	Kit Pramac Power	
504	P3KI00331	ES8000-S8000-SP8000 MAINTENANCE KIT	
506	SA40016962	MUFFLER WITH PROTECTION FOR S8000 RESTYLING	