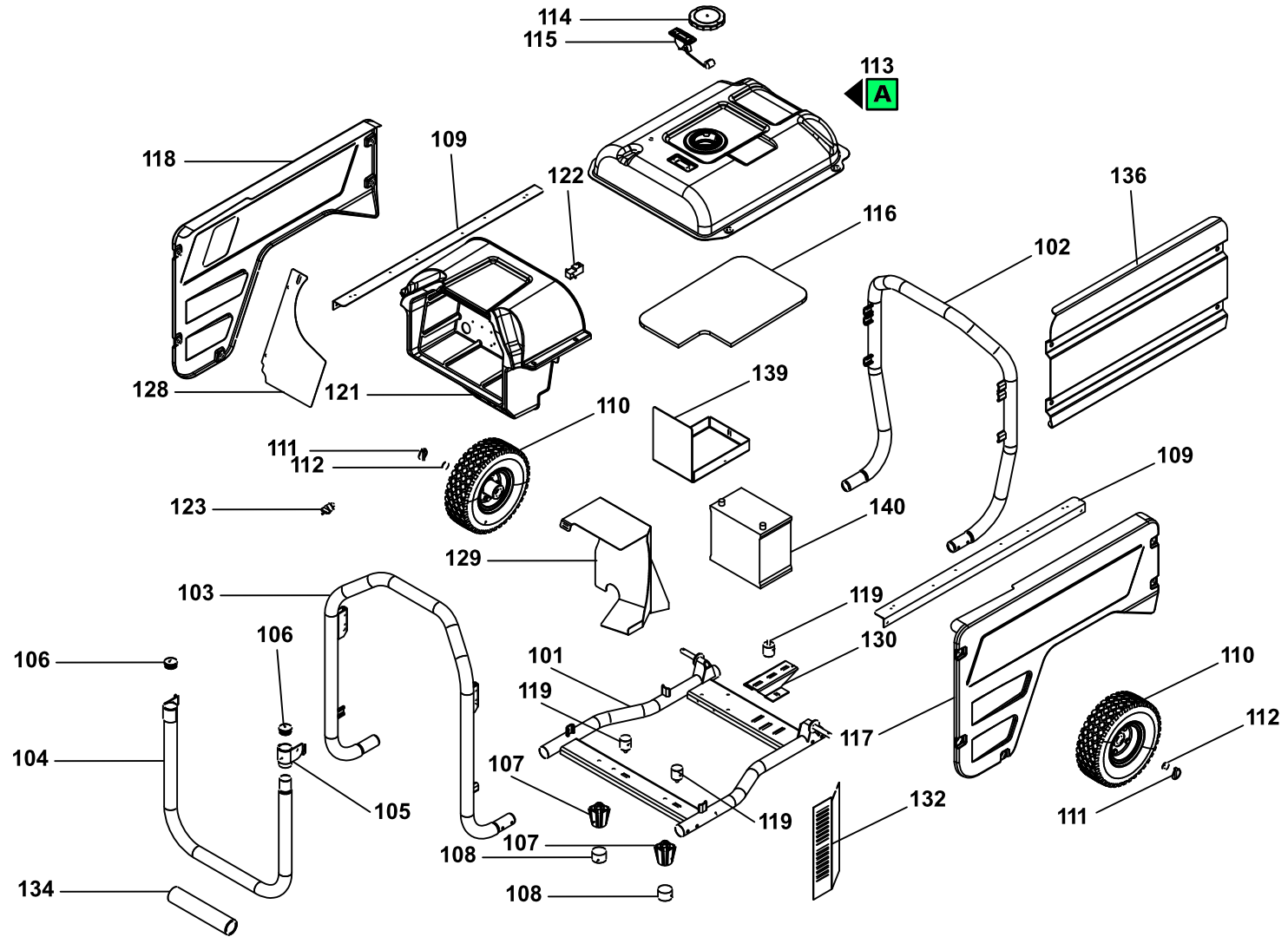


Spare Parts Catalogue

S8000-2015-MONOPHASE-RESTYLING+AVR+CONN+DPP +JGMP

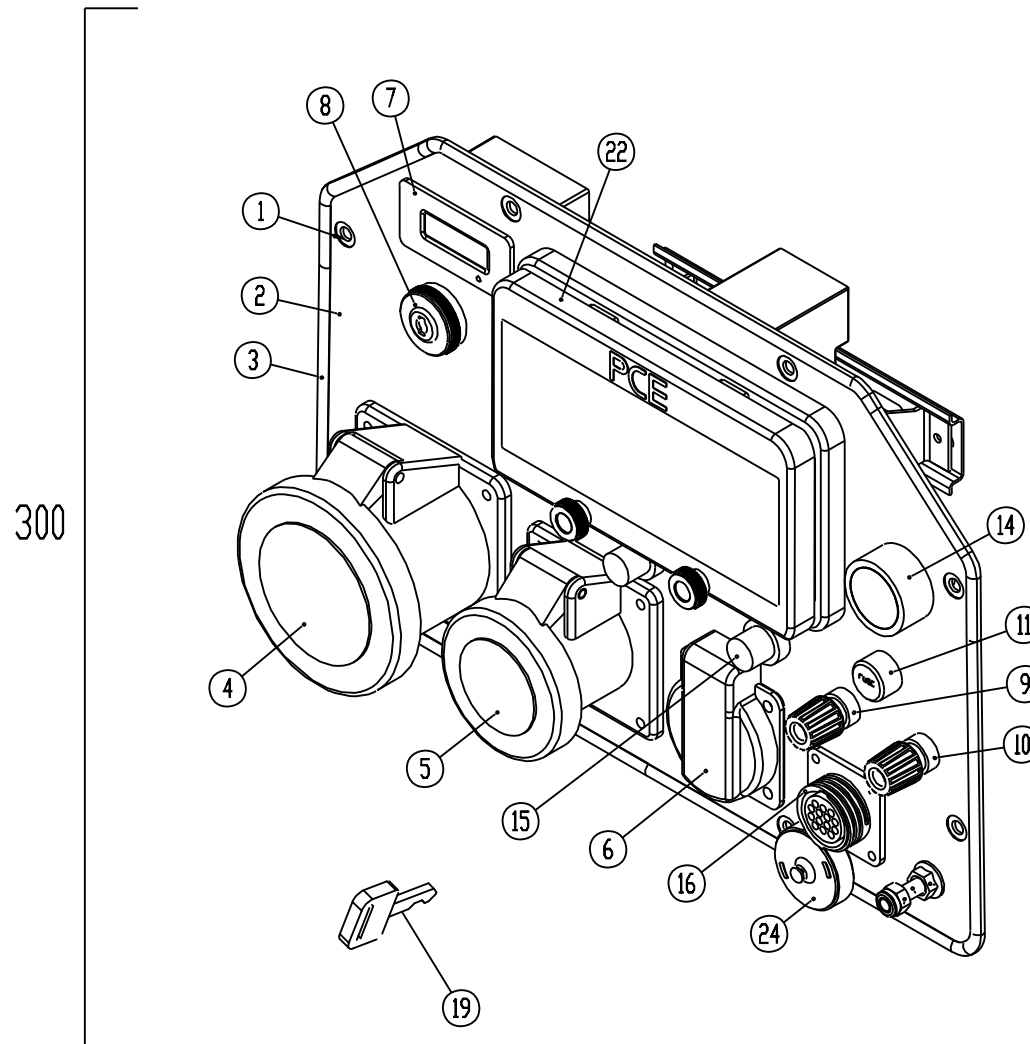
Generating sets

Valid for machine code: PD612SHBZ0C
Revision: 0 (04/2017)

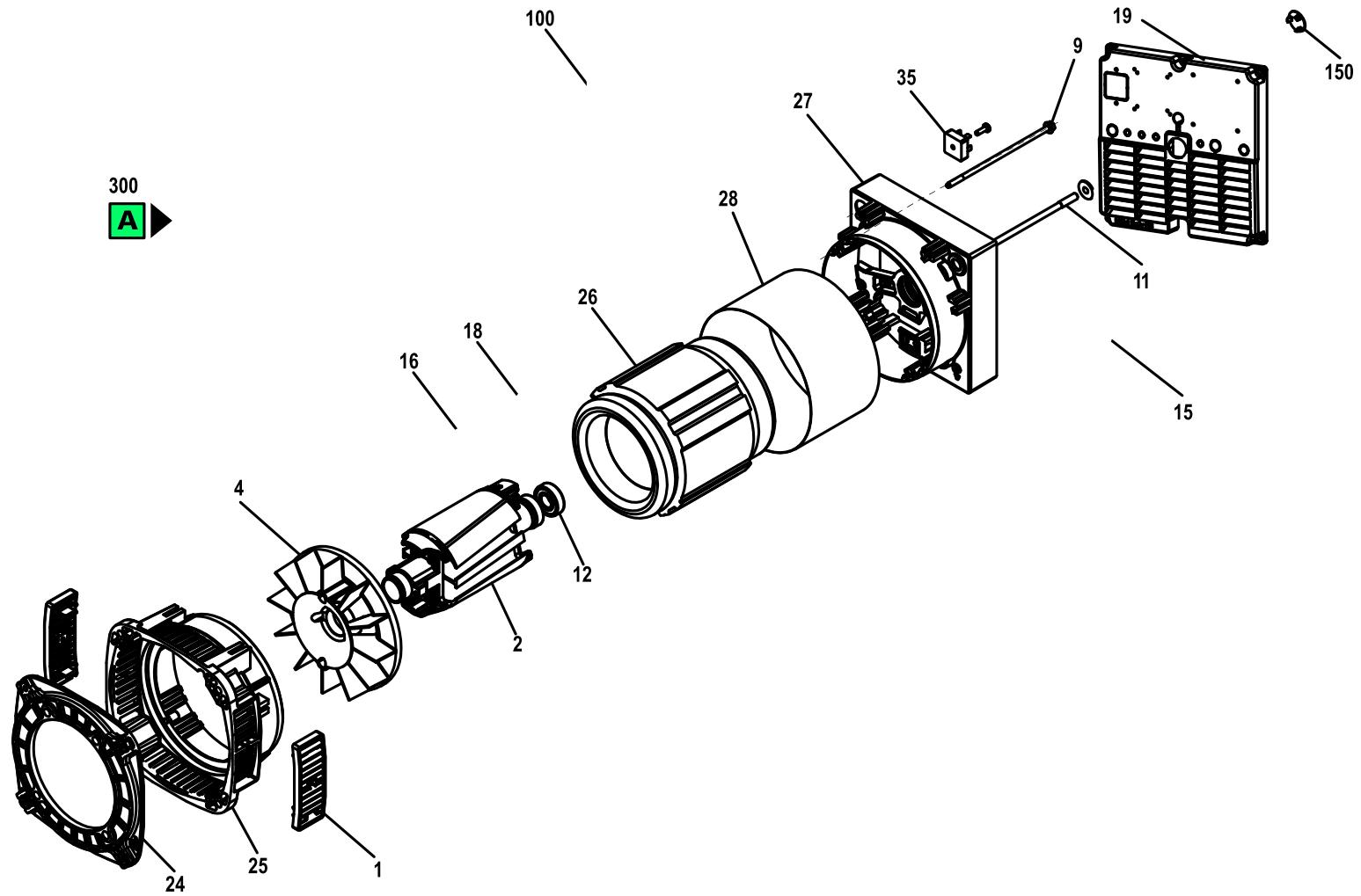


POSITION	PART NUMBER	DESCRIPTION	NOTES
101	VA40016062-9005B	PAINTED CENTRAL PART OF MULTIBODY FRAME	
102	▲ VA40016043-9005B	PAINTED ASSEMBLED PIPE ALTERNATOR, MULTIBODY FRAME	Attention: this item is valid for machines produced with serial number until HWI10040693 Interchangeable: NO
102	▲ VA40016066-9005B	PAINTED ASSEMBLED PIPE ALTERNATOR, MULTIBODY FRAME	Attention: this item is valid for machines produced with serial number from HWI10040693 Interchangeable: NO
103	VA40016045-9005B	PAINTED ASSEMBLED PIPE ENGINE, MULTIBODY FRAME	
104	VA40016049-9005B	PAINTED ASSEMBLED CARRYING HANDLE	
105	VA40016047-9005B	PAINTED MOBILE CONNECTION FOR CARRYING HANDLE	
106	G051519	PLASTIC CAP Ø 35 BLACK	
107	GA7021	FEET SUPPORT +NUT+SCREW	
108	G052956	RUBBER FEET 85 SH-A	
109	GA7032	METAL SHEET SUPPORT FOR 26,5 L FUEL TANK	
110	G052444	WHEEL 3,5"X10" RUBBER FILLED FLAT TREAD, BLACK RIM WITH SPHERE BEARINGS	
111	G44208	BELL SPLIT PIN D4.5(P.N.115 AMA)	
112	G041908	PLAIN WASHER 6592 13x24 ZN	
113	SA40016052	FUEL TANK WITH SUPPLEMENTS	
114	G051521	SHELL FUEL CAP FOR METAL TANK - VENT HOLES ON TOP	
115	PGT00030	LEVELER ASSY OIL 6200/6250/7000	
116	SA40021903	THERMAL INSULATION FOR FUEL TANK NEW S5000-S8000	
117	VA40016700-9016B	PAINTED RIGHT FOR MULTIBODY FRAME	
118	VA40016701-9016B	PAINTED LEFT FOR MULTIBODY FRAME PAINTED	
119	G052120	CYLINDRIC SILENT-BLOCK MF-40x40-M8x14-M8-45	
121	SA40016055	CONTROL PANEL HOUSING FOR S SERIES RESTYLING	
122	▲ G079016	ELECTROVALVE CHOKE S5-8000 NO DIRECT ACTION12Vcc	Attention: this item is valid for machines produced with serial number until HWI0019080 Interchangeable: NO
122	▲ SA40016058	KIT ROTATING SOLENOID FOR HONDA CHOKE GX270-390 VPE	Attention: this item is valid for machines produced with serial number from HWI0019080 Interchangeable: NO
123	G085104	QUARTER TURN FUEL VALVE	
128	SA40016702	CARBURATOR CONVEYOR	
129	VA40016051-9005B	MUFFLER CONVEYOR PAINTED	
130	GA7028	ALTERNATOR SUPPORT	
132	▲ VA40016703-9005B	PAINTED K-KR100 ALTERNATOR CONVEYOR	Attention: this item is valid for machines produced until 24/03/2014 Interchangeable: NO
132	▲ VA40016053-9005B	PAINTED T-TR100 ALTERNATOR CONVEYOR	Attention: this item is valid for machines produced from 24/03/2014 Interchangeable: NO
134	G052008	COVERING FOR CARRYING HANDLE D.35 MM	
136	VA7092-9005B	BACKCOVER PAINTED S SERIES	

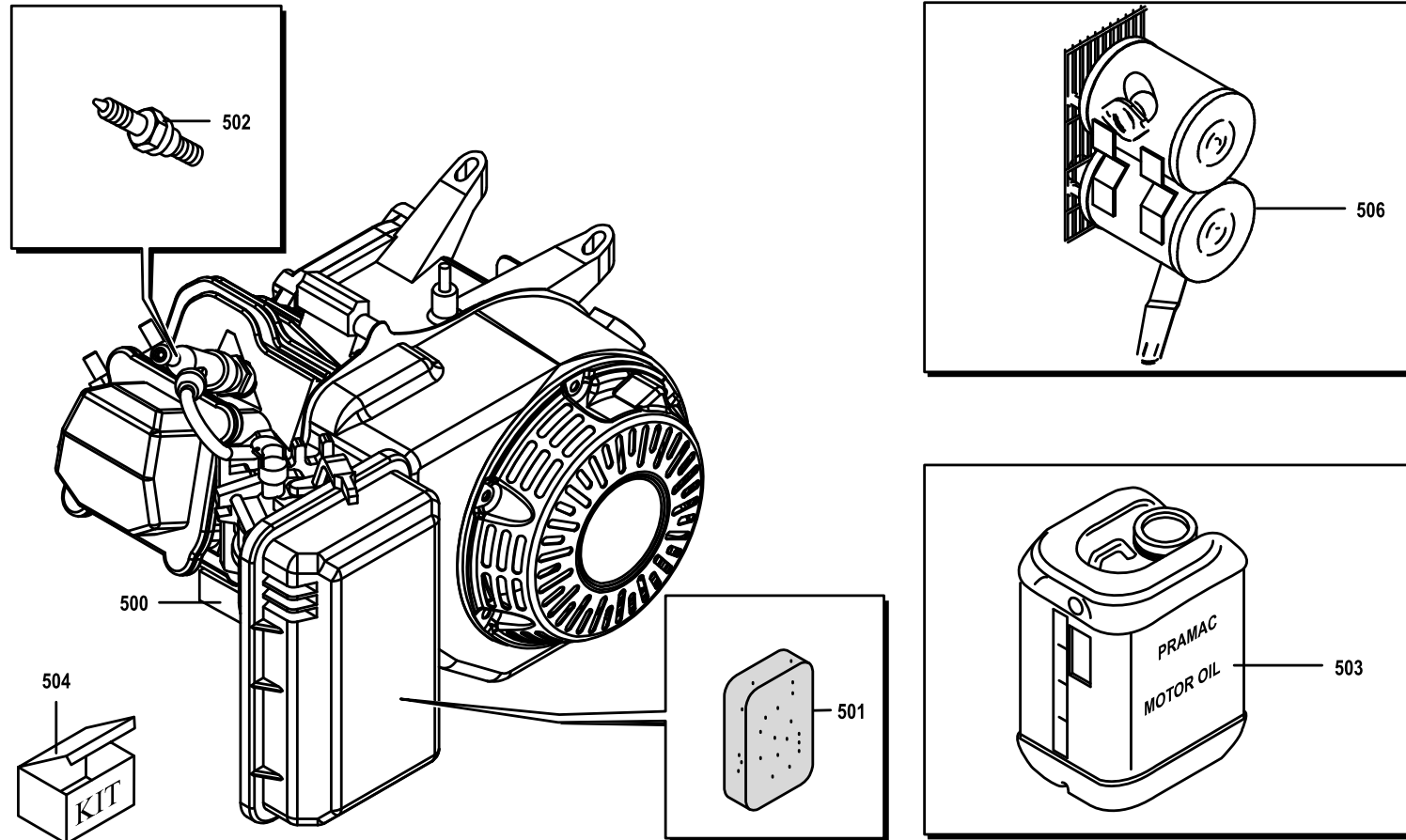
POSITION	PART NUMBER	DESCRIPTION	NOTES
139	VA7076-9005B	PAINTED BATTERY PLATE NEW SERIES S	
140	G089001	BATTERY 26Ah 12V SEALED - 205x132x185.5	



POSITION	PART NUMBER	DESCRIPTION	NOTES
1	GA7039	METAL SHEET FOR CONTROL PANEL NEW S SERIES	
2	G002813	LABEL FOR CONTROL PANEL OF S5000 S8000 SP CONN + DPP ES	
3	SA40016980	GASKET FOR NEW S SERIES CONTROL PANEL	
4	G071136	SOCKET 2P+T 230V 32A IP44 CEE	
5	G071121	PANEL MOUNT SOCKET 2P+T 230V 16A IP44 CEE	
6	G071131	SOCKET SUBASSEMBLY, POWER SUPPLY	
7	G077009	DIGITAL MULTIMETER FOR PANEL (92V-260V) (50-60Hz)	
8	G075310	STARTER KEY SWITCH	
9	G070109	BATTERY CHARGER RED SCREW TERMINAL	
10	G070110	BATTERY CHARGER BLACK SCREW TERMINAL	
11	G070617	PANEL MOUNT FUSE HOLDER 6A (5x20)	
12	G075758	INTERR. MAGNETOTERMICO 2P 25A 230V 0.03A 4.5kA DIFF.	
13	G075561	THERMAL CIRCUIT BREAKER 16A 240V	
14	G075171	BLACK PUSH BUTTON NOT ILLUMINATED FOR 22 HOLE WITH LOCK NUT	
15	G070305	WATERPROOF CAP - PITCH M12	
16	G071021	FEMALE CONNECTOR 14CONTACTS COM. DIST.	
19	G76926	KEY BLOCK BODY FOR STARTER SWITCH	
20	G070616	FUSE 10A 5X20 GLASS	
21	G070822	OMEGA SUPPORT 7,5x35	
22	G070312	IP55 COVER 8 MODULES DIN	
23	G070817	SEC. C FLASK FOR PR BAR	
24	G071091	SEALING CAP WITH BEAD CHAIN - 14 POLES CONNECTOR	
25	G079583	RELE' 12V 1 30/20A 12.040.000	
26	G077114	P600M QTE DIODE - NOT CABLED	
300	SA40045900	NEW CONTROL PANEL S8000 SP CONN + DPP ES NEW CHOKE - GE0496	



POSITION	PART NUMBER	DESCRIPTION	NOTES
4	PAN1VGA10003	FAN	
12	G10405	BEARING 6203 2RS	
15	PAN3PSM0408SR	PORTASPAZZOLE COMPLETO KR100/SR100	
16	PAN7COG040202	MANIFOLF KR100/SR100	
18	PAN1GGA10017	COPRI COLLETTORE KR100/SR100	
19	PAN1GGA10011	BLIND COVER ALT. T100	
24	PAN3FLA10010	FLANGIA ACCOPPIAMENTO J609B C22-25,4 SE100	
25	PAN00082	Scudo anteriore completo KR100	
27	PAN3SLA100164	SCUDO POSTERIORE KR100/SR100	
35	PANKPD25A02	PONTE RADDRIZZATORE MONOFASE 15°-200V	
100	PAN00005	AVR KVR 0520	
300	▲ ANS6000EB000XZ	ALTERNATOR SR100G 6/115/230/50/3000/12 J609B - BLIND COVER - BATTERY CHARGER - IP23 - AVR - NSM	Attention: this item is valid for machines produced until 20/02/2012 Interchangeable: YES
300	▲ ANS6000EB0000Z	ALTERNATOR KR100G 6/115/230/50/3000/12 J609B - BLIND COVER - BATTERY CHARGER - IP23 - AVR - NSM	Attention: this item is valid for machines produced from 20/02/2012 Interchangeable: YES



POSITION	PART NUMBER	DESCRIPTION	NOTES
500	▲ EHA130CB21W	Engine Honda GX390RT2 VPE9 Air_3000_Mech_J609b-_12Vdc__Ver/Sp:	Attention: this item is valid for machines produced until 26/02/2016 Interchangeable: YES
500	▲ EHA130CB21V	Engine Honda GX390RT2 VPP9 Air_3000_Mech_J609b-_12Vdc__Ver/Sp:	Attention: this item is valid for machines produced from 26/02/2016 Interchangeable: YES
501	PEH17211-899-000	AIR FILTER ELEMENT	
502	PEH98079-56846	SPARK PLUG BPR6ES	
503	P3KI00299	Kit Pramac Power	
504	P3KI00331	ES8000-S8000-SP8000 MAINTENANCE KIT	
506	SA40016962	MUFFLER WITH PROTECTION FOR S8000 RESTYLING	