

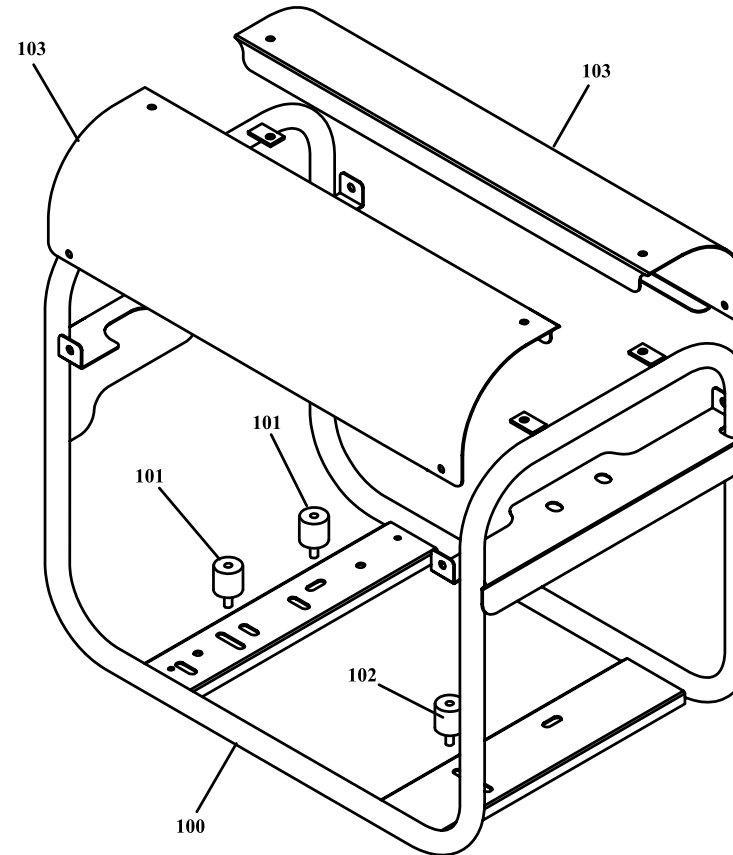
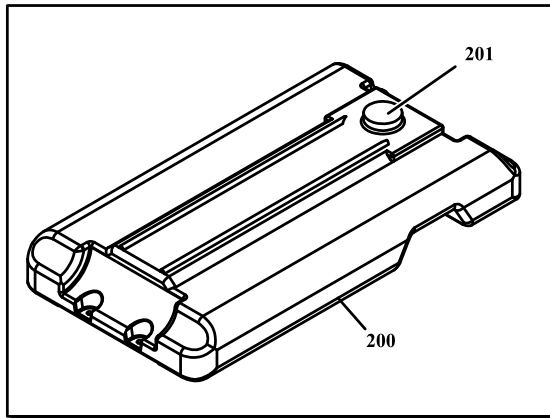
Spare Parts Catalogue

ES8000-TRIFASE+AVR+HDK

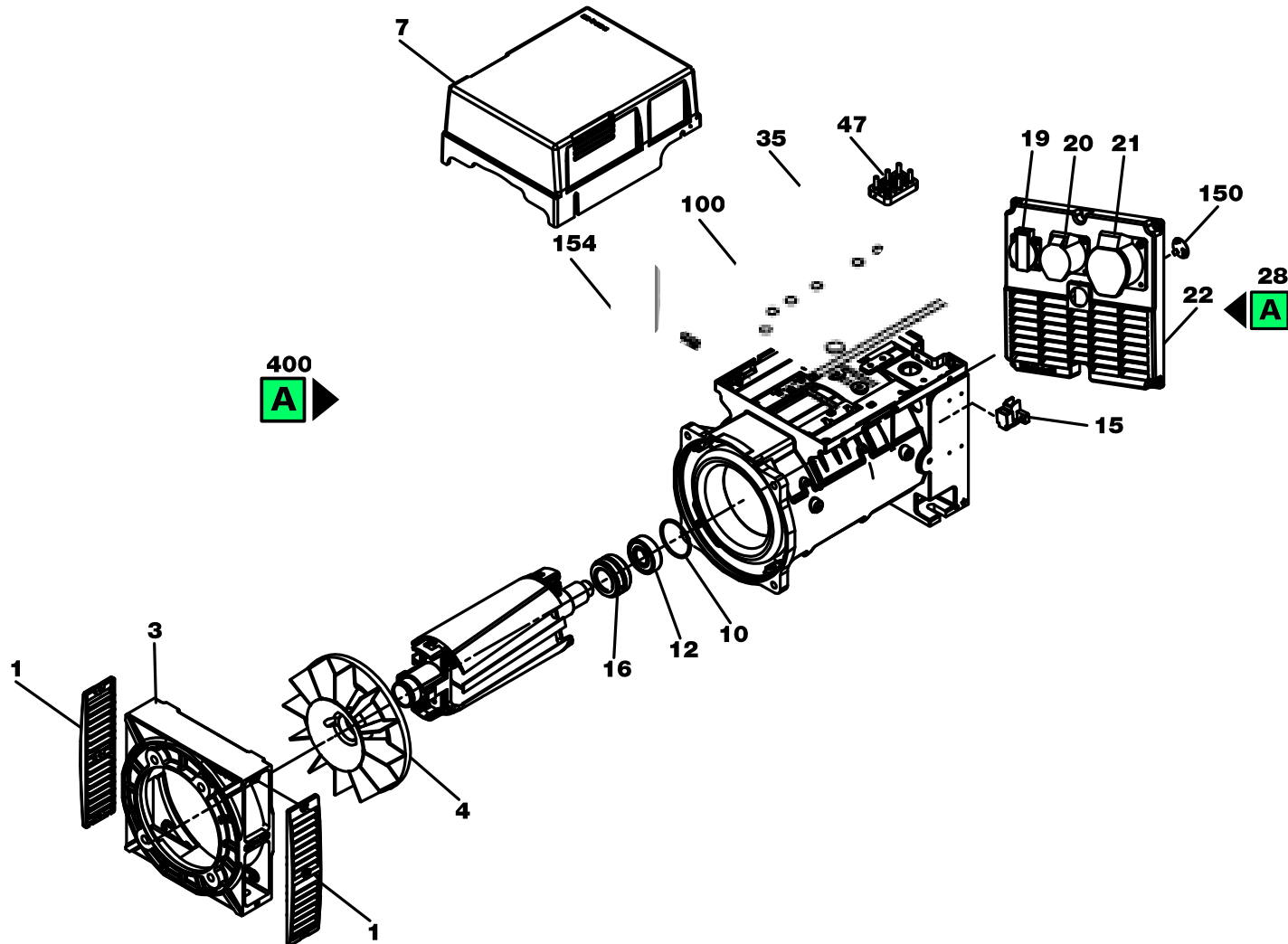
Generating sets

Valid for machine code: PE652THI010

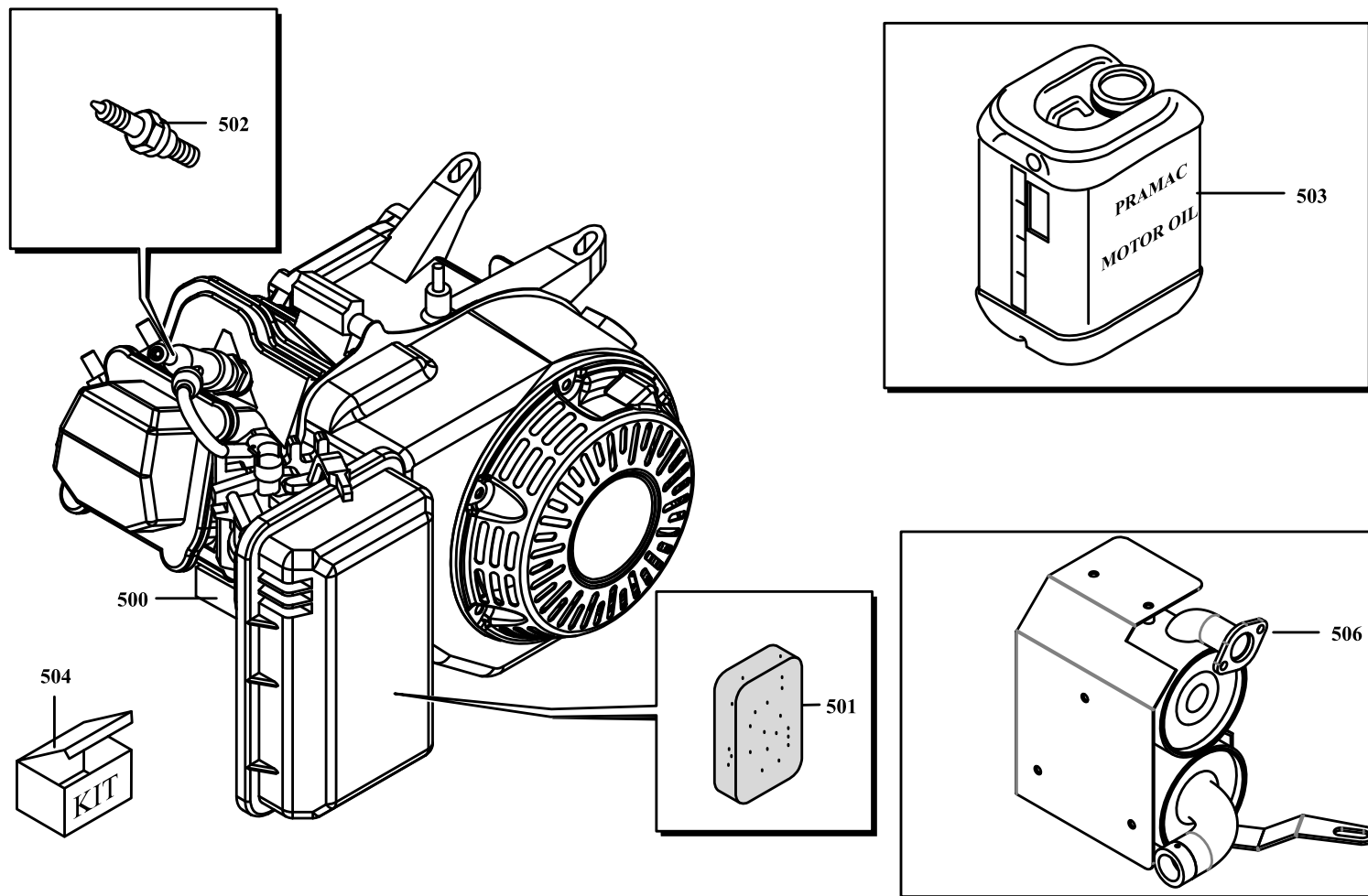
Revision: 0 (02/2017)



POSITION	PART NUMBER	DESCRIPTION	NOTES
100	VA40020030-9005B	FRAME PAINTED ES5-8000 WITH SELF THREAD SCREWS	
101	G052112	CYLINDRIC SILENT-BLOCK MF-30x30-M8x15-M8-60	
102	G052116	CYLINDRIC SILENT-BLOCK MF-40x45-M10x25-M10-45	
103	VA40020702-PRAMACB	SIDE COVER ES 5-7-8000 PAINTED	
200	G51398	FUEL TANK 11 LITERS	
201	G080215	FUEL CAP WITHOUT KEY - VENT HOLES ON TOP	



POSITION	PART NUMBER	DESCRIPTION	NOTES
3	PAN3SLA10012	SCUDO ANTERIORE J609	
4	PAN1VGA10003	FAN	
7	PAN00018	COVER T100	
12	G010401	BEARING 6204 2RS (20-47-14)	
15	PAN3PSM0408SR	PORTASPAZZOLE COMPLETO KR100/SR100	
16	G70180	SLIP RING ALT. EG 3-A	
19	G071472	SOCKET DANISH AFSNIT 107-2-D1 16A	
20	PAN7ME0026	SOCKET 2P+T 240 V - blue	
21	G071126	PANEL MOUNT SOCKET 3P+N+T 400V 16A IP44 CEE	
22	PAN00007	ALT. COVER 1SCHUKO-1CEE MF-1CEE TF	
28	PAN00008	ALT. COVER 1SCHUKO-1CEE MF-1CEE TF	
35	PANKPD25A02	PONTE RADDRIZZATORE MONOFASE 15°-200V	
47	PAN7MTP060502	MORSETTIERA UTILIZAZIONE	
100	PANKVR0860T	MR100LH VOLTAGE GOVERNOR	
154	PAN00004	FILTER EMC TR	
400	ANT7000EB0MACZ	ALTERNATOR TR100SC 7/230/400/50/3000 J609b - COVER DANISH SOCKET AFSNIT 107-2-D1 16A + SOCKET 230V 16A CEE STRAIGHT +SOCKET 400V 16A CEE STRAIGHT - SPECIAL 3PHASE THERMAL TILTING BREAKER - 1 SINGLE PHASE BREAKER - IP23 - AVR - NSM	



POSITION	PART NUMBER	DESCRIPTION	NOTES
500	▲ EHA130BB22Y	Engine Honda GX390K1 VPX5 Air_3000_Mech_J609b-_Handstart__Ver/Sp:	Attention: this item is valid for machines produced until 10/04/2006 Interchangeable: YES
500	▲ EHA130BB22X	Engine Honda GX390U1 VPX9 Air_3000_Mech_J609b-_Handstart__Ver/Sp:	Attention: this item is valid for machines produced from 10/04/2006 until 07/03/2011 Interchangeable: YES
500	▲ EHA130BB22W	Engine Honda GX390RT2 VPX9 Air_3000_Mech_J609b-_Handstart__Ver/Sp:	Attention: this item is valid for machines produced from 07/03/2011 until 02/02/2016 Interchangeable: YES
500	▲ EHA130BB22V	Engine Honda GX390T2 VPXP Air_3000_Mech_J609b-_Handstart__Ver/Sp:	Attention: this item is valid for machines produced from 02/02/2016 until 18/02/2019 Interchangeable: YES
500	▲ EHA130BB22U	Engine Honda GX390T2 VPXP STAGE V Air_3000_Mech_J609b-_Handstart__Ver/ Sp:	Attention: this item is valid for machines produced from 18/02/2019 Interchangeable: YES
501	PEH17211-899-000	AIR FILTER ELEMENT	
502	PEH98079-56876	SPARK PLUG	
503	P3KI00299	Kit Pramac Power	
504	P3KI00331	ES8000-S8000-SP8000 MAINTENANCE KIT	
506	VA40016008-9005O	COMPLETE PRAMAC MUFFLER PAINTED x GX390	