

Spare Parts Catalogue

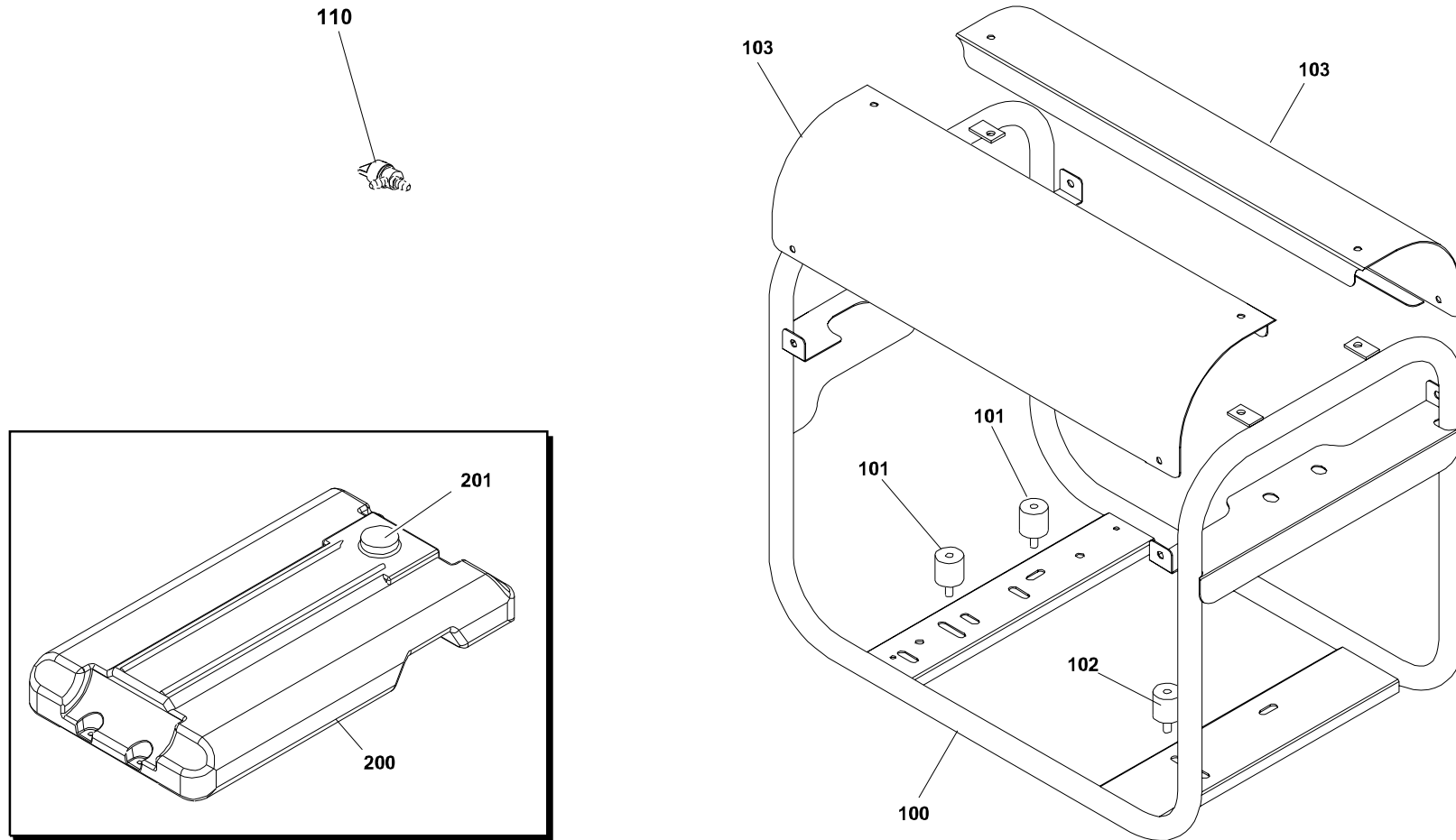
ES8000-MONOPHASE

Power systems | Generating sets

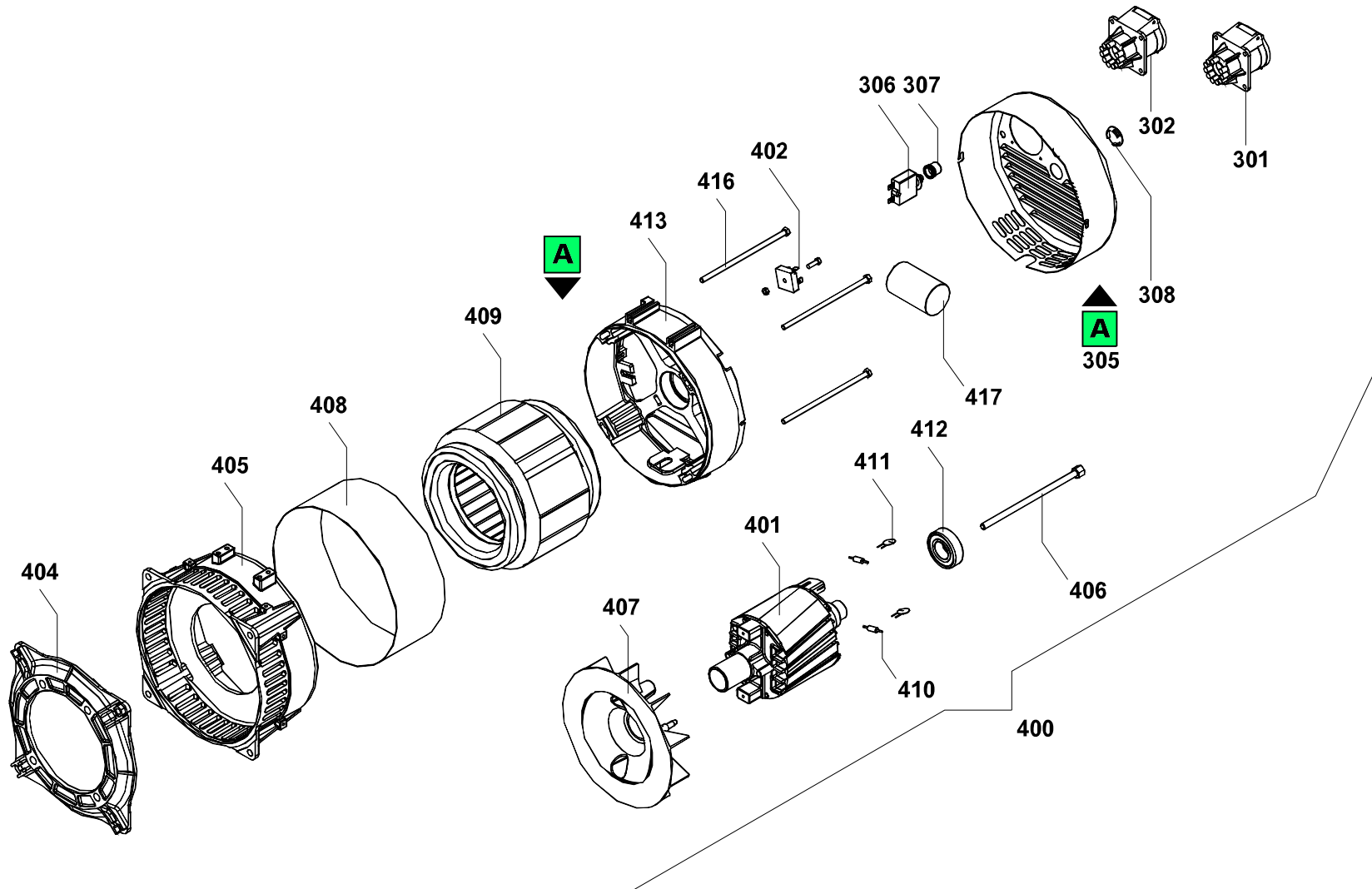
Valid for machine code: PE612SHI000

Revision: 0 (5/2008)

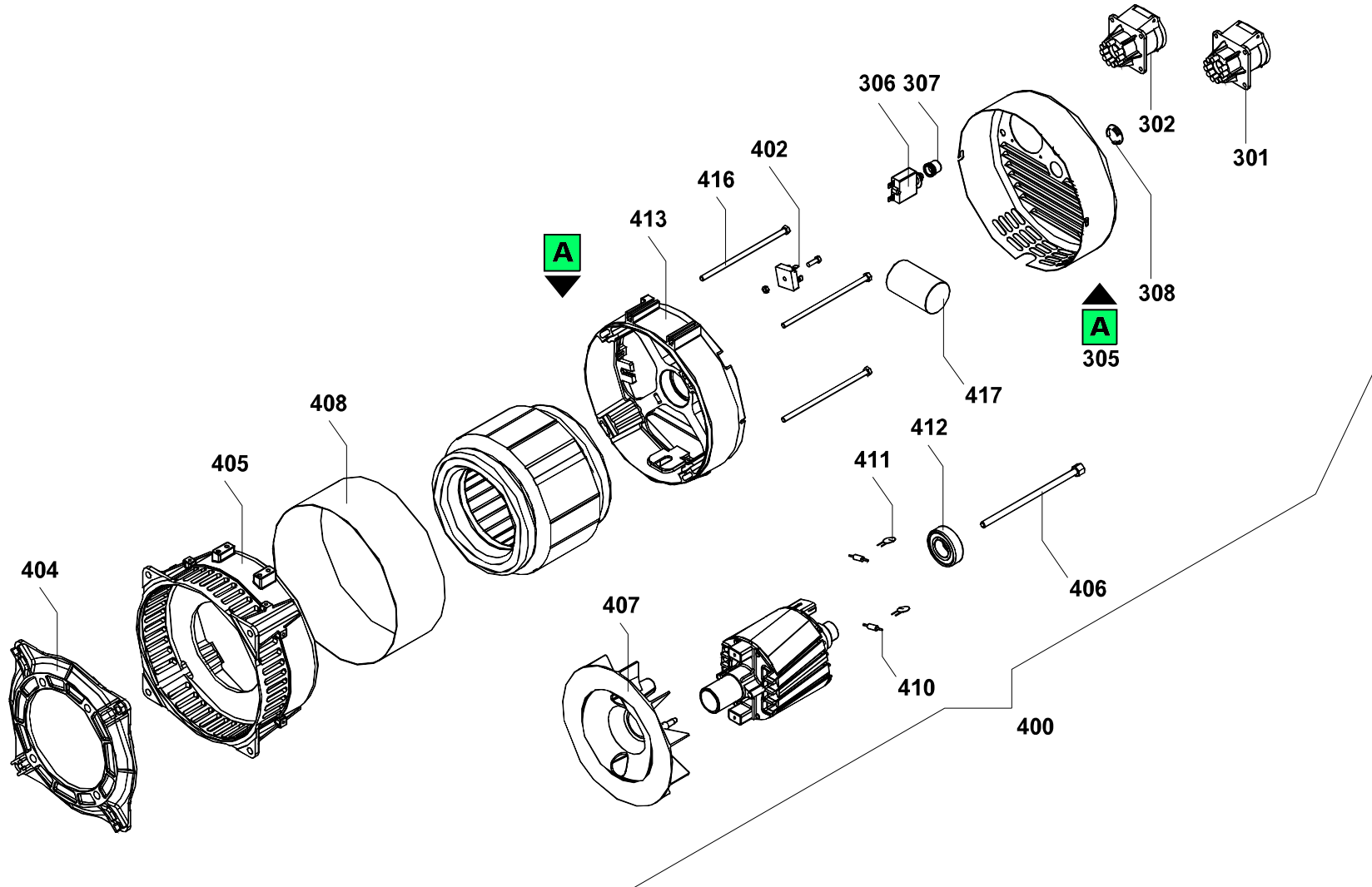
Copyright 2016 Pramac Group, All Rights Reserved.



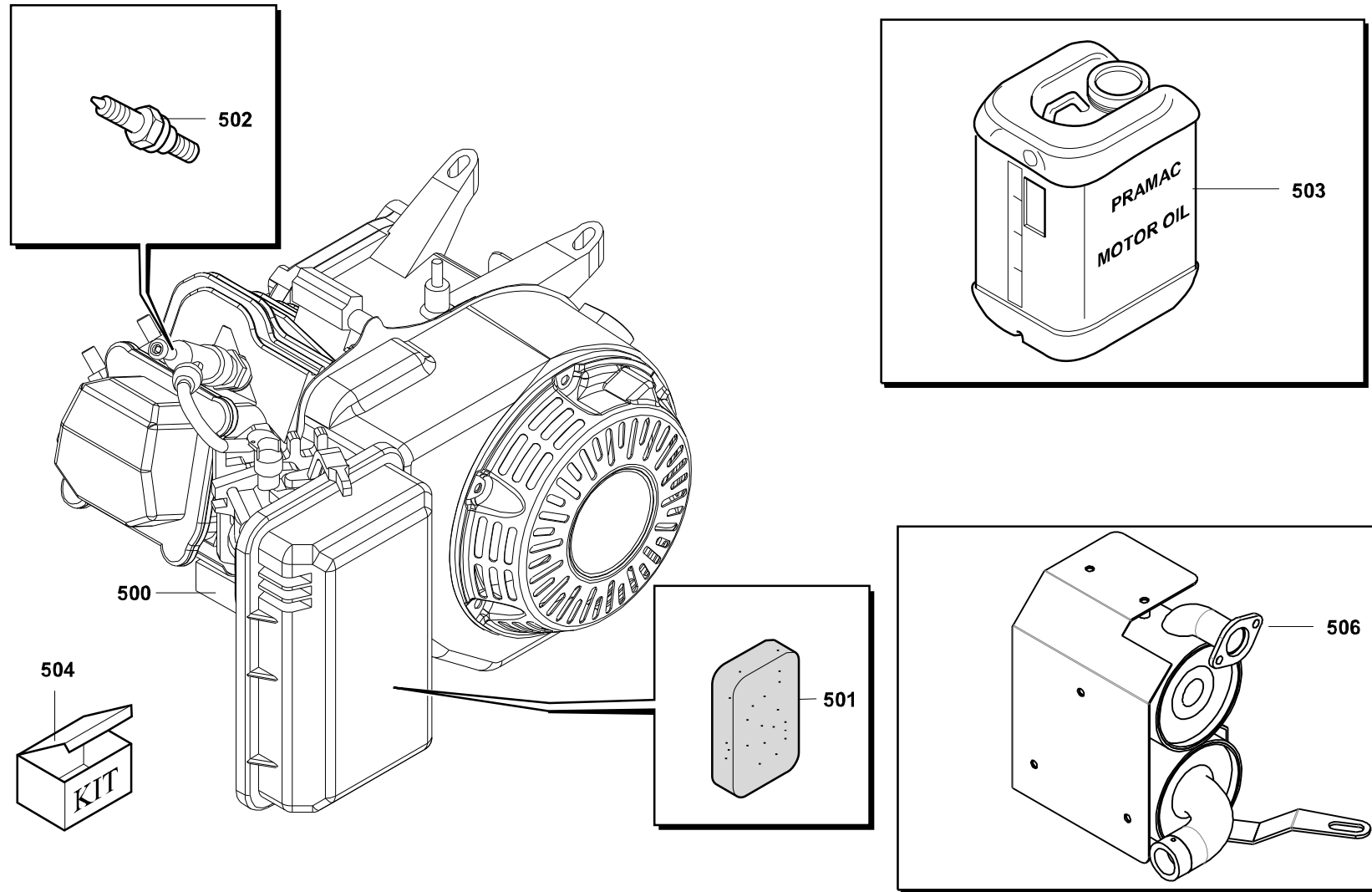
Position	Part Number	Description	Notes
100	▲ VA40020022-9005B	Telaio Es 5/8000 Verniciato	Valid for products manufactured from 18/09/2014
	▲ VA40020016-9005B	Complete Frame Painted Es 5-7-8000	Valid for products manufactured from 05/06/2012 to 18/09/2014
	▲ VA40020003-9005O	Complete Frame Es 5/7/8000 *hhpi Painted	Valid for products manufactured until 05/06/2012
101	G052112	Cylindric Silent-block Mf-30x30-m8x15-m8-60	-
102	G052120	Cylindric Silent-block Mf-40x40-m8x14-m8-45	-
103	VA40020702-PRAMACB	Side Cover Es 5-7-8000 Painted	-
110	G085102	Gasoline Loose Plastic Tap	-
200	G51398	Fuel Tank 11 Liters	-
201	G080215	Fuel Cap Without Key - Vent Holes On Top	-



Position	Part Number	Description	Notes
301	G071136	Socket 2p+t 230v 32a Ip44 Cee	-
302	G071131	Socket Subassembly, Power Supply	-
305	PAM0391702710	Cover 1schuko+1cee32a+2thermal Switch	-
306	G075535	Thermal Circuit Breaker 25a	-
400	AMS6500CB0ADBZ	Alt. Ar2 110 6,5/115/230/50/3000 J609b	-
401	PAM0391602703	Rotor 6,5kva Ar2/110 J609b	-
402	PAM0391400607	Rectifying Diode Bridge Mf (skb25-08)	-
404	PAM0390600175	Flange Alt. Ar2 J609b - S20w	-
405	PAM0391700333	Cover Ar2	-
406	PAM0391800343	Central Tension Rod Ar2 6,5kva J609b 190 Mm	-
407	PAM0392000039	Fan Ar2/110	-
408	PAM0390601050	Shutter Band Ar2 6,5 Kva	-
409	PAM0391702001	Stator Ar2/110 6.5/115/230/50/3000	-
410	PAM9910356050	Diode D2/125 25a	-
411	G70459	Varistor Z-10-l-561	-
412	G70704	Rear Bearing 6205-2z	-
413	PAM0390302222	Alt. Front Cover Ar2/110	-
416	PAM0391800295	Side Tension Rod Ar2 6,5 Kva	-
417	G079102	Capacitor 35uf 450v	-



Position	Part Number	Description	Notes
301	G071131	Socket Subassembly, Power Supply	-
302	G071136	Socket 2p+t 230v 32a Ip44 Cee	-
305	PAM0391702710	Cover 1schuko+1cee32a+2thermal Switch	-
306	G075535	Thermal Circuit Breaker 25a	-
400	AMS6000CB0ADBZ	Alternator S20w-95/a 6/115/230/50/3000 J609b	-
402	PAM0391400607	Rectifying Diode Bridge Mf (skb25-08)	-
404	PAM0390600175	Flange Alt. Ar2 J609b - S20w	-
405	PAM0391700333	Cover Ar2	-
406	PAM00012	Securing Stud S20w 7.2 186mm	-
407	PAM0392000041	Fan S20w	-
408	PAM0390601053	Enclosing Band S20w 6kva	-
410	PAM9910356050	Diode D2/125 25a	-
411	G70459	Varistor Z-10-l-561	-
412	G70704	Rear Bearing 6205-2z	-
413	PAM0390302222	Alt. Front Cover Ar2/110	-
416	PAM0391800322	Cover Stay Bolt S20w 6kva	-
417	G079102	Capacitor 35uf 450v	-



Position	Part Number	Description	Notes
500	▲ EHA130BB22W	Engine Honda Gx390rt2 Vpx9 Air_3000_mech_j609b-_handstart__ver/sp:	Valid for products manufactured from 07/03/2011
	▲ EHA130BB22X	Engine Honda Gx390u1 Vpx9 Air_3000_mech_j609b-_handstart__ver/sp:	Valid for products manufactured from 10/04/2006 to 07/03/2011
	▲ EHA130BB22Y	Engine Honda Gx390k1 Vpx5 Air_3000_mech_j609b-_handstart__ver/sp:	Valid for products manufactured until 10/04/2006
501	PEH17211-899-000	Air Filter Element	-
502	PEH98079-56876	Spark Plug	-
503	P3KI00299	Kit Pramac Power	-
504	P3KI00331	Es8000-s8000-sp8000 Maintenance Kit	-
506	VA40016008-9005O	Muffler Painted Gx390	-