

Spare Parts Catalogue

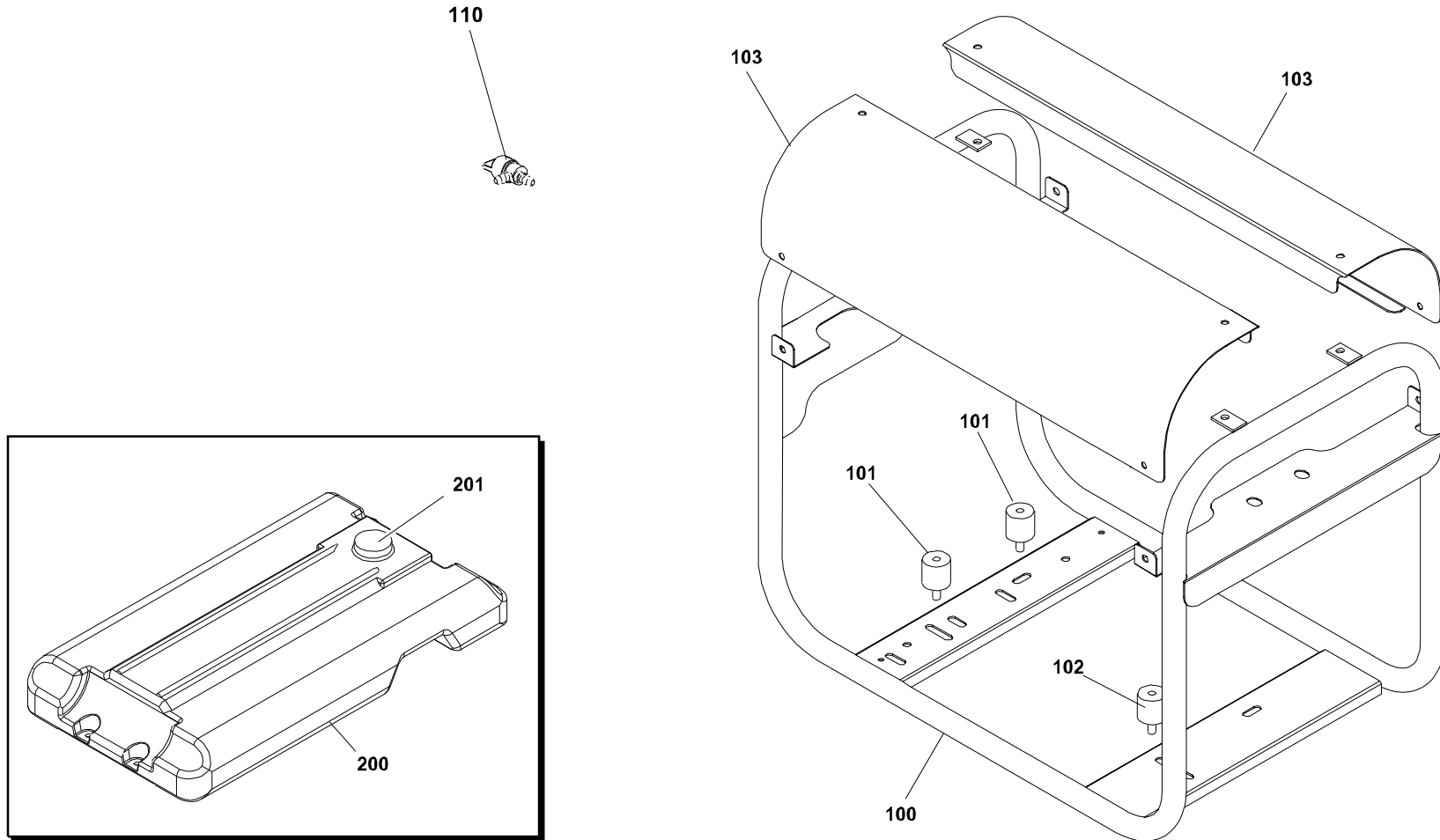
ES4000

Power systems | Generating sets

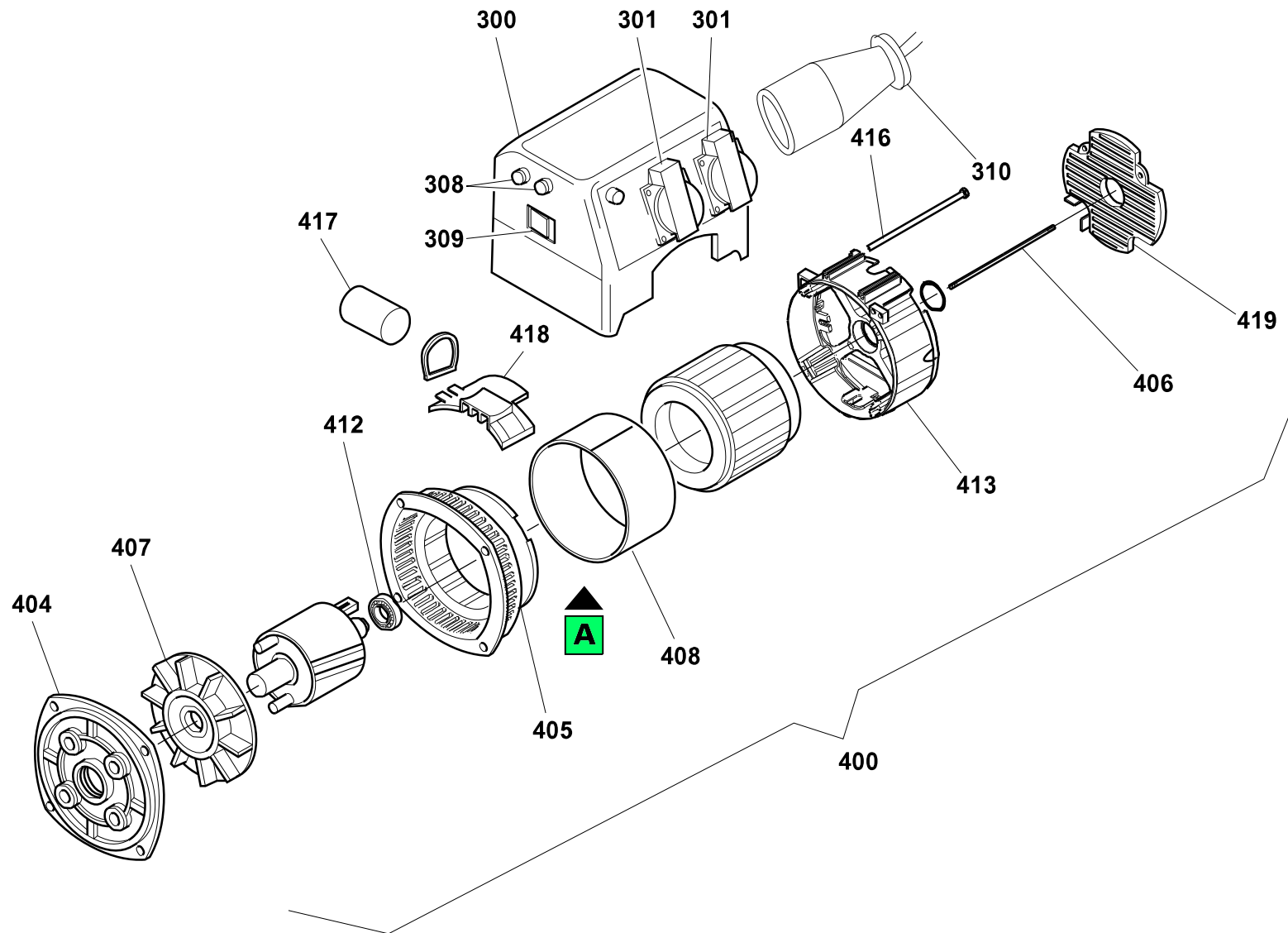
Valid for machine code: PE292SHI000

Revision: 0 (7/2007)

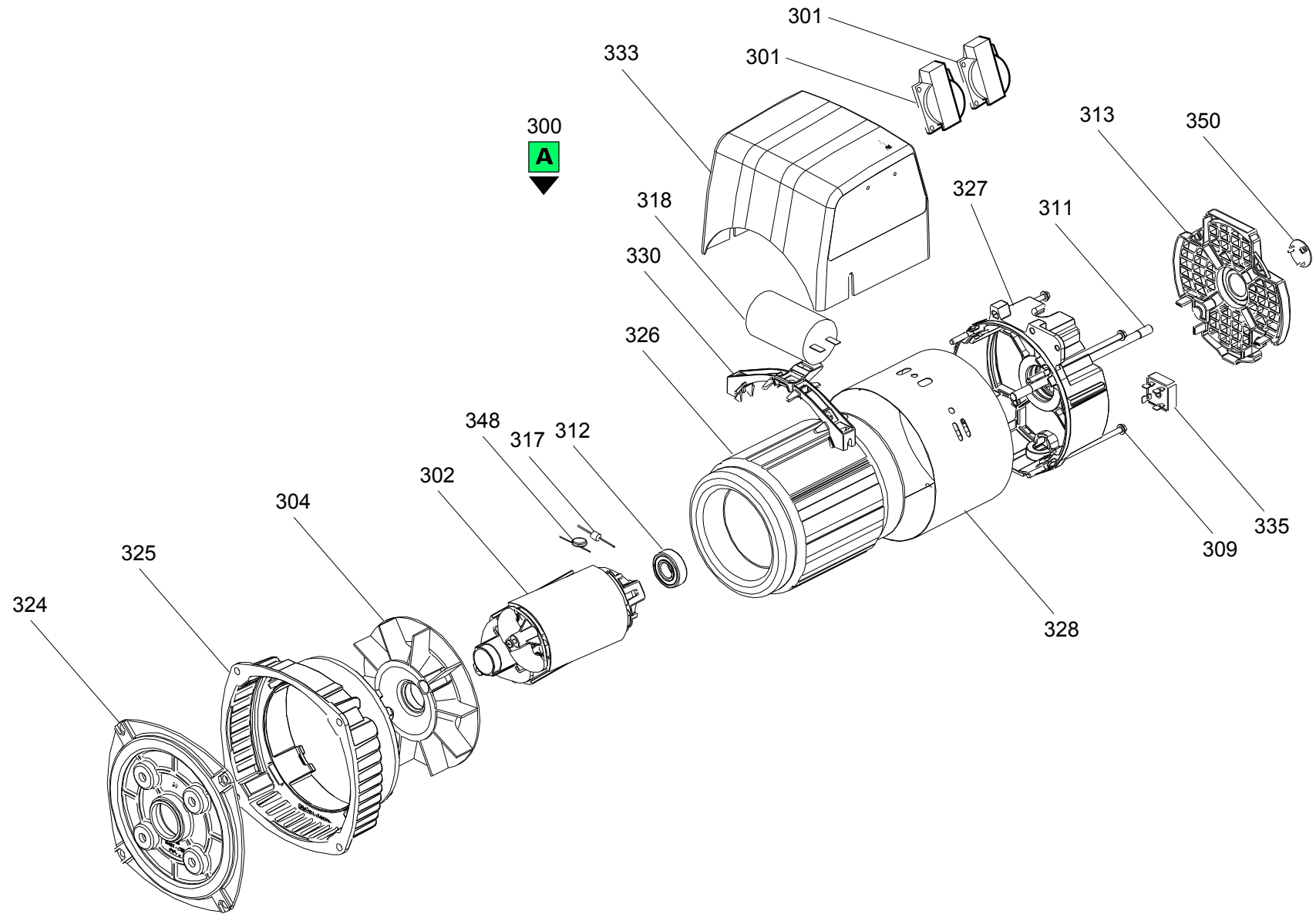
Copyright 2016 Pramac Group, All Rights Reserved.



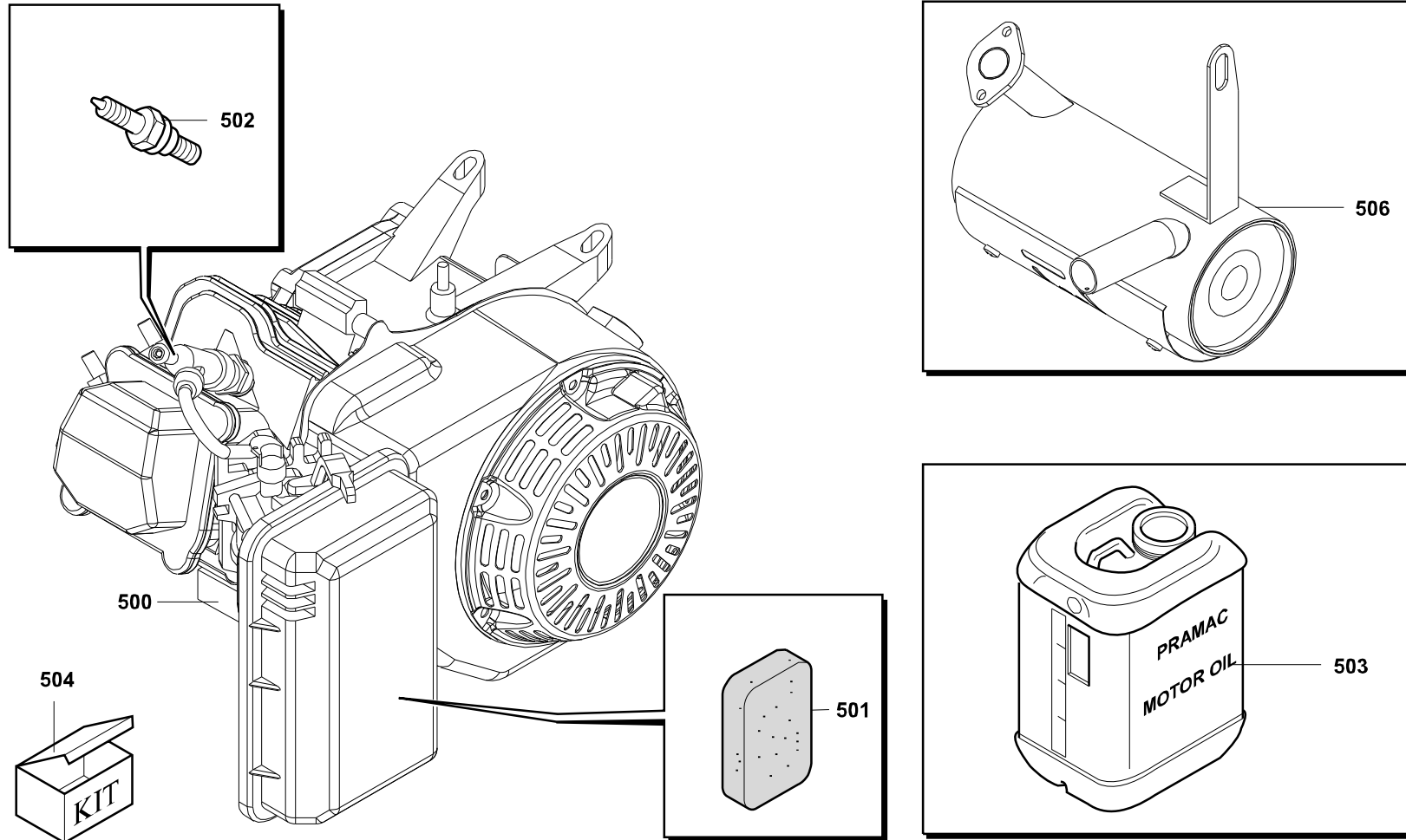
Position	Part Number	Description	Notes
100	▲ VA40023014-9005B	Complete Frame Painted Es 32 Ral9005o	Valid for products manufactured from 18/07/2012
	▲ VA40023001-9005O	Complete Frame S3000 Shhpi Painted	Valid for products manufactured until 18/07/2012
101	G052113	Cylindric Silent-block Mf-30x30-m8x15-m8-45	-
102	G052113	Cylindric Silent-block Mf-30x30-m8x15-m8-45	-
103	VA8922-PRAMACB	Side Cover Es3000 Painted Pramac Green "orange Peel Style"	-
110	G085102	Gasoline Loose Plastic Tap	-
200	G51398	Fuel Tank 11 Liters	-
201	▲ G080201	Obsolete Use G080215	
	▲ G080215	Fuel Cap Without Key - Vent Holes On Top	



Position	Part Number	Description	Notes
300	PAN1GGA000013	Cover 802 Punched For 2schuko/cee + 2breaker .+comm.+b.c.	-
301	G071131	Socket Subassembly, Power Supply	-
302	G071131	Socket Subassembly, Power Supply	-
308	G075531	Thermal Circuit Breaker 10a 240v	-
310	G71230	Flying Plug Schuko	-
400	ANS3500CA0A2AY	Alternator Es80e 3.5/115/230/50/3000 J609a - Cover Es 80 Cablato 2 Schuko Protette + T 10a + Prot x Breaker	-
404	G69687	Motor Coupling Flange Es80j609c19	-
405	G69688	Front Plate Es80	-
406	G69685	Tension Rod Zinc Plated M8-5/16"24unf Es80a C19	-
407	PAN1VGA00002	Fan	-
408	PAN3APPL0013N	Black Enclosing Band For Es80 C/d	-
413	G69693	Rear Plate Es80	-
416	PAN7ZUN08205	Alternator Rod Es80e 3.5kva	-
417	G70698	Capacitor 18mf	-
418	G69698	Capacitor Support Bracket 1mvv002	-
419	G69686	Rear Cover 1gga00002	-



Position	Part Number	Description	Notes
300	ANS3500CA0A2AW	Alternator K80e 3.5/230/50/3000 J609a - Cover K80 Wired 2 Schuko Prot. + T 10a + Prot x Breaker 1,5mmq - Nsm	-
301	G071131	Socket Subassembly, Power Supply	-
304	PAN1VGA00002	Fan	-
309	PAN7VTE05145	Screws For Bracket Fixing	-
311	PAN7ZUN08205	Alternator Rod Es80e 3.5kva	-
312	G010408	Bearing 6202 2rs (15-35-11)	-
313	PAN1GGA00008	No Drive End Grid	-
317	G69621	Battery Charger Diode 6a - 1200v	-
318	G70698	Capacitor 18mf	-
324	PAN3FLA1011	Coupl. Flange J609a C19	-
325	PAN3SLA00003	Drive End Bracket	-
327	PAN3SLA00004	No Drive End Bracket	-
328	PAN3APPL0016	Enclosing Band	-
330	PAN1MVB004	Capacitor Support	-
333	PAN1GGA000940	Cover K80e 2	-
	PAN98ST12Z	Coperchio Superiore Con 2 Schuko + T 12a Con Prot.	-
335	PANKPD25A02	Ponte Raddrizzatore Monofase 15°-200v	-
348	PANKVZ12A420	Varistor	-
350	PAN7PRTS0232	Plastic Plug Es80	-



Position	Part Number	Description	Notes
500	▲ EHA65BA11Y	Engine Honda Gx200rt2 Vpm4 Air_3000_mech_j609a-_handstart__ver/sp:	Valid for products manufactured from 19/06/2012
	▲ EHA65BA11Z	Engine Honda Gx200 Vpm4 Air_3000_mech_j609a-_handstart__ver/sp:	Valid for products manufactured until 19/06/2012
501	PEH17211-ZB2-000	Air Filter Element Gx160k1	-
502	PEH98079-56846	Spark Plug Bpr6es	-
503	P3OL00003	Power Motor Oil 15/40 0,600l.	-
504	P3KI00004	Maintenance Kit Es3000-c3000-es4000-p4000i-es4000exp- S3200	-
506	G92070	Muffler Pramac Gx 120/160	-