



Service
& Parts

Spare Parts Catalogue

P3000i

Power systems | **Generating sets**

Valid for machine code: **PF262SXI000**

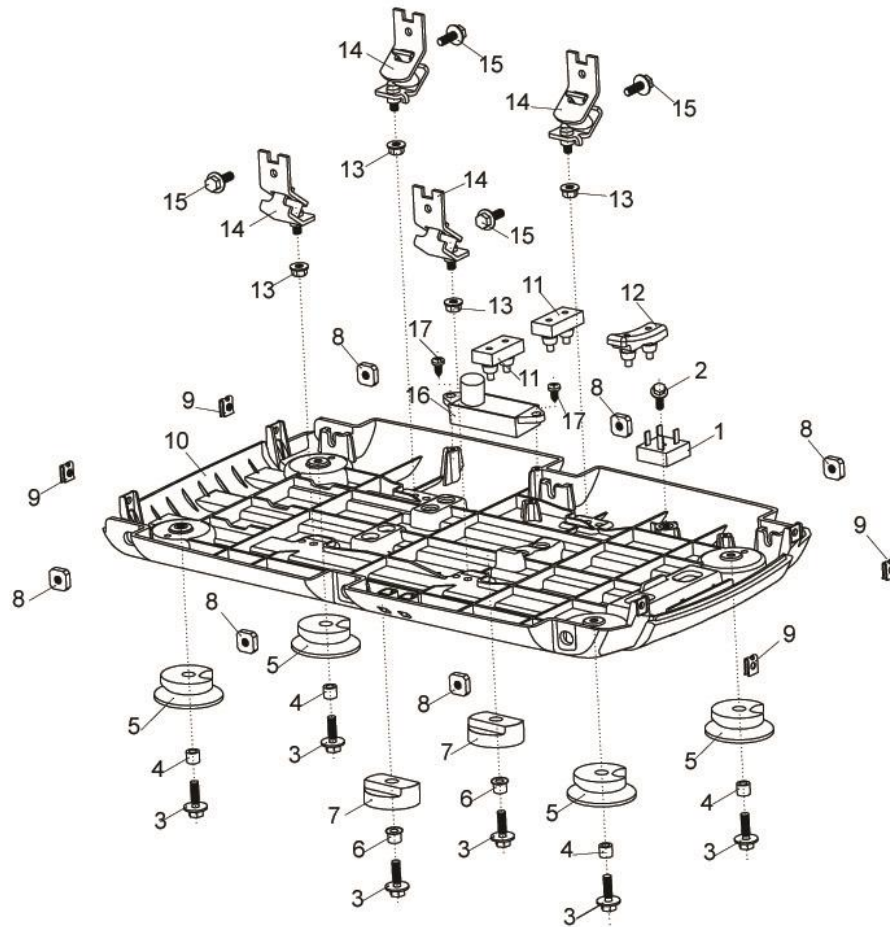
Revision: **0**



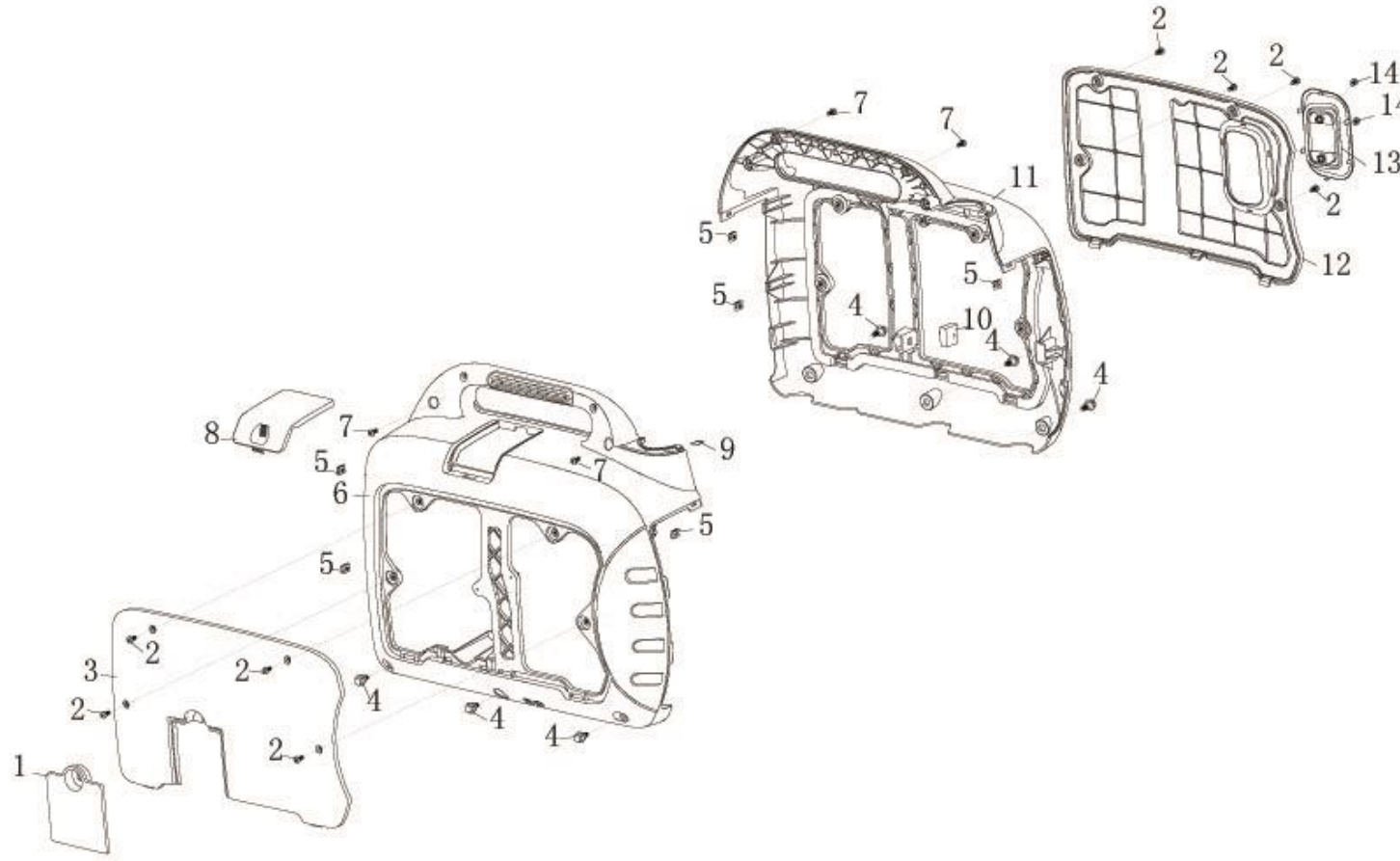
Copyright 2022 Pramac Group, All Rights Reserved

IMPORTANT NOTICE: Before using this information please check if updated releases have been published on Pramac Service & Parts Online Center <http://www.pramacparts.com>

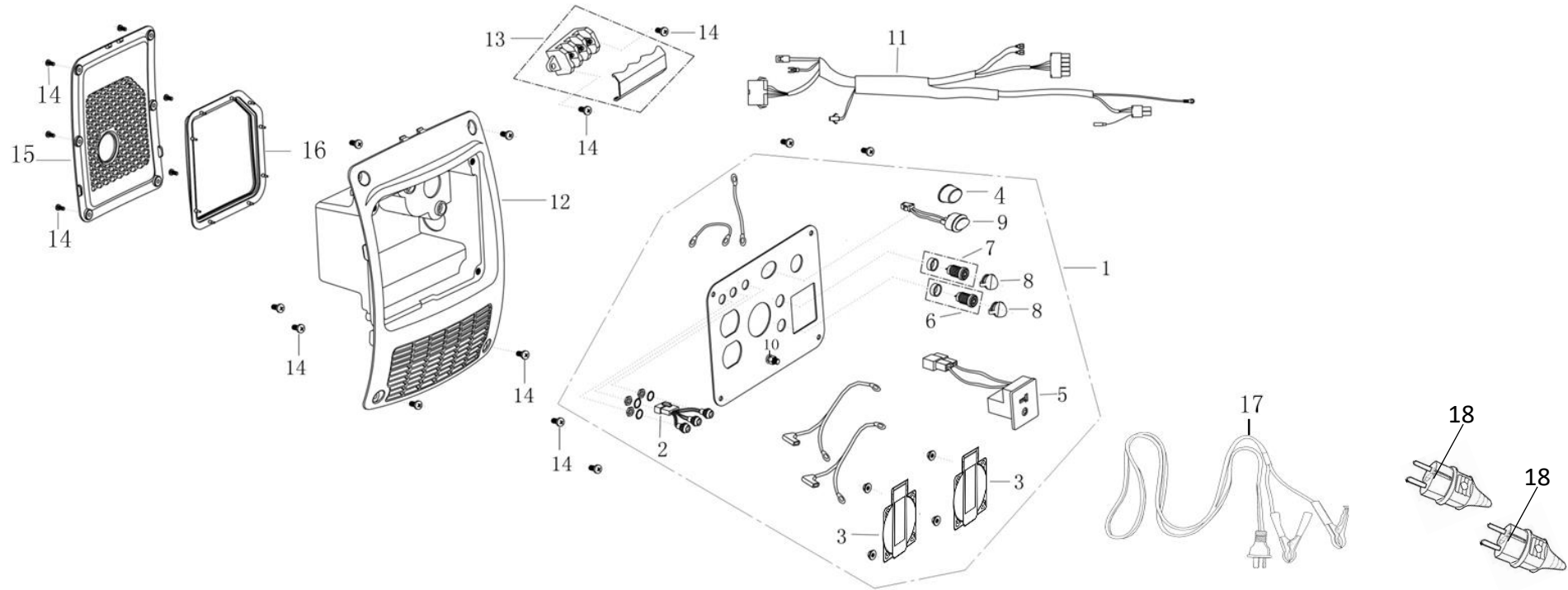




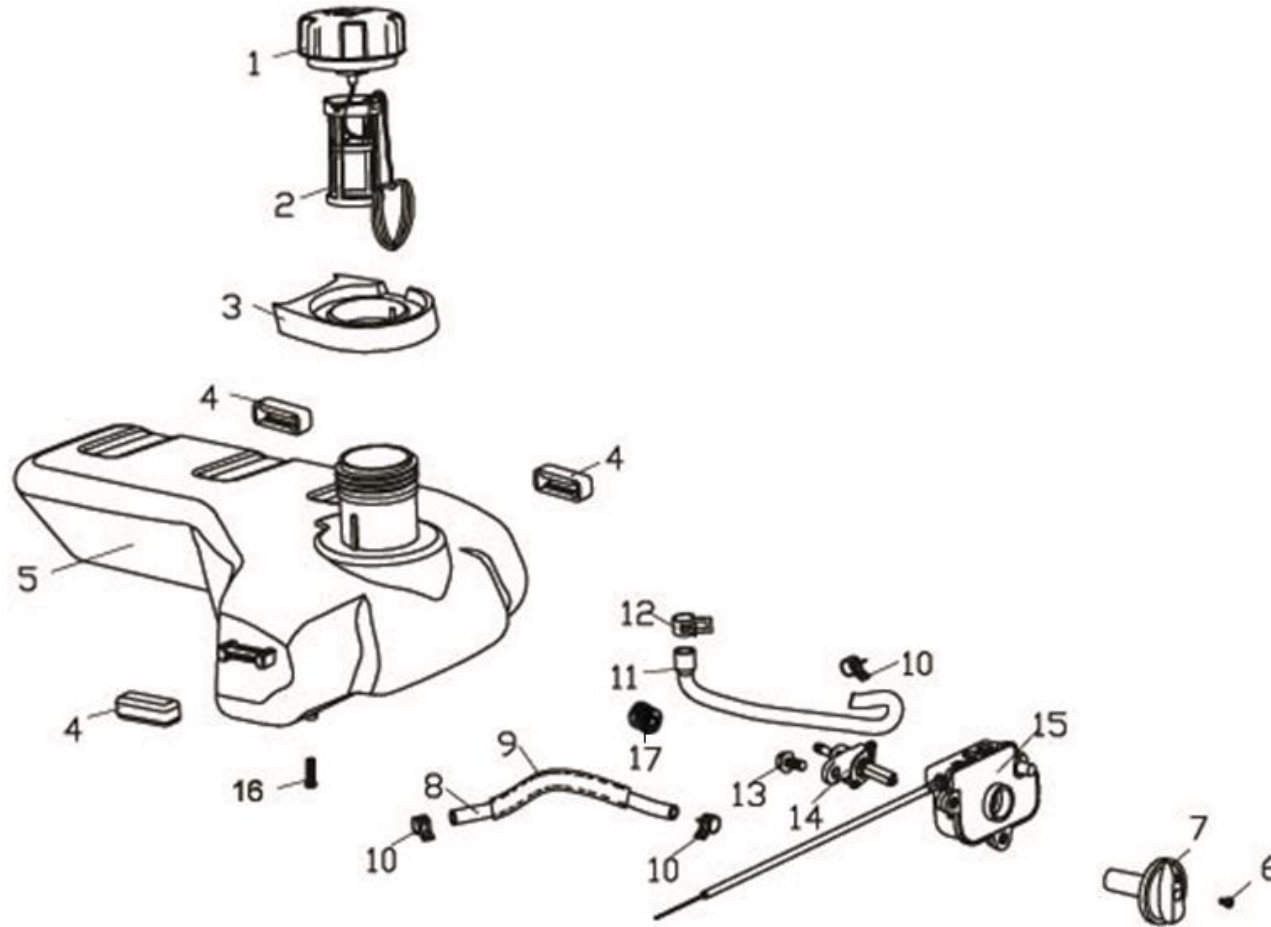
Ref.no	Part No.	Description	Quantity
1	271920005-0001	Rectification bridge	1
2	380140053-0002	Hexagon bolt with flange	1
3	380710024-0001	Bolt or screw and washer COMP.	6
4	380822533-0001	Bushing	4
5	300770043-0001	Frame shock absorbing seat	4
6	380822534-0001	Bushing	2
7	300770042-0001	Frame shock absorbing seat	2
8	380430031-0001	Square nuts	6
9	380420041-0001	Clip nut	4
10	303240006-0001	FRAME COMP Backplane	1
11	290340054-0001	Cushioning rubber	2
12	290340048-0001	Cushioning rubber	1
13	380370048-0001	Hexagon nut with flange	4
14	300780038-0001	Machine buffering seat	4
15	380140001-0006	Hexagon bolt with flange	4
16	271000261-0001	Lighter	1
17	380310135-0001	Cross recessed pan head tapping screw	2



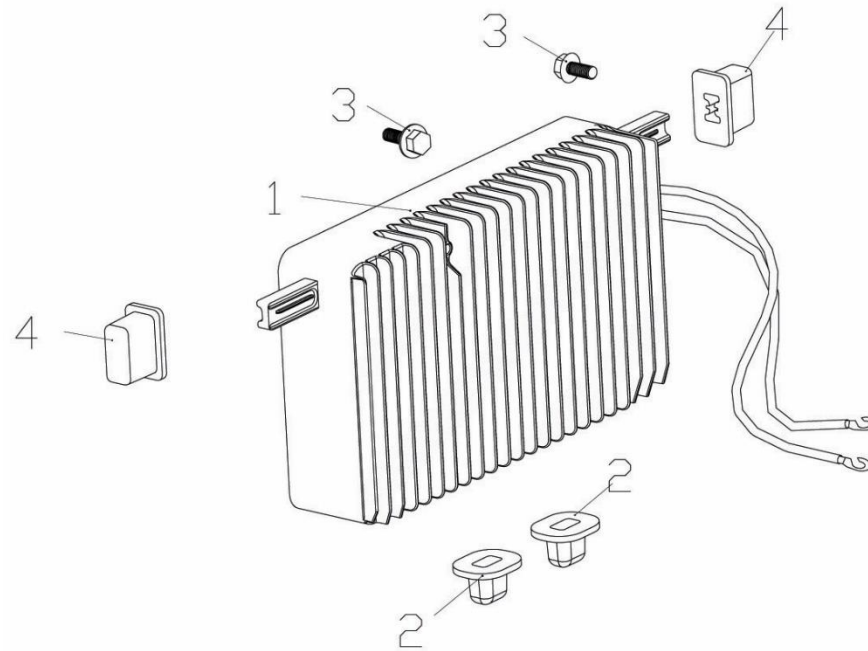
Ref.no	Part No.	Description	Quantity
1	PGL00017	oil checking window	1
2	381810002-0001	Slotted pan head screw with waisted shank	8
3	661860016-0001	Exterior Cover(left)	1
4	380100038-0001	Hex head flange bolt axial	6
5	PGL00053	Clip nut	6
6	661840004-0006	Generator Shell(left)	1
7	380690017-0001	Cross small pan head screws / pad COMP.	4
8	661910003-0006	sparking plug maintenance cover	1
9	350440003-0001	Clips	1
10	290340049-0001	Cushioning rubber	1
11	661850004-0006	Generator Shell(right)	1
12	661870014-0001	Exterior Cover(right)	1
13	661940005-0001	recoil hand shank cover	1
14	380200009-0001	Cross recessed pan head screw	2



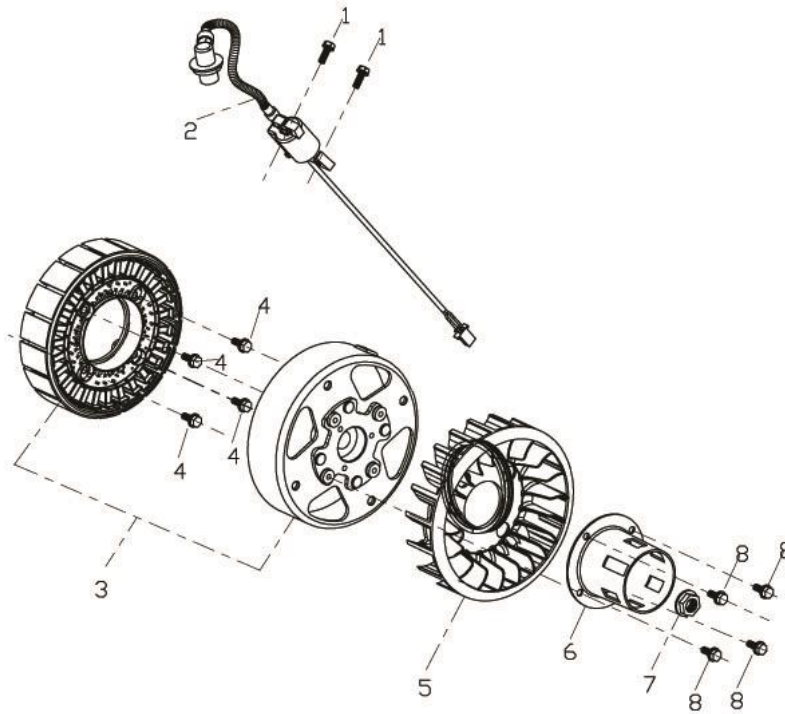
Ref.no	Part No.	Description	Quantity
1	PGL00034	Components of control panel	1
2	283730006-0001	Panel output indicator light	1
3	271890022-0001	Power socket combination	2
4	273330005-0001	tarpaulin	1
5	381070010-0001	Outlet	1
6	381070009-0002	Outlet	1
7	381070009-0001	Outlet	1
8	273330006-0001	tarpaulin	2
9	173400003-0001	Idle switch	1
10	272030008-0001	Earth terminal combination	1
11	272040164-0001	Control panel harness	1
12	271970031-0001	Panel bed	1
13	271240004-0001	cable connection panel	1
14	380690017-0001	Cross small pan head screws / pad COMP.	18
15	PGL00073	Shutter	1
16	661880010-0001	wind scooper	1
17	271280039-0001	Connecting wire	1
18	271880005-0001	Power plug combination	2



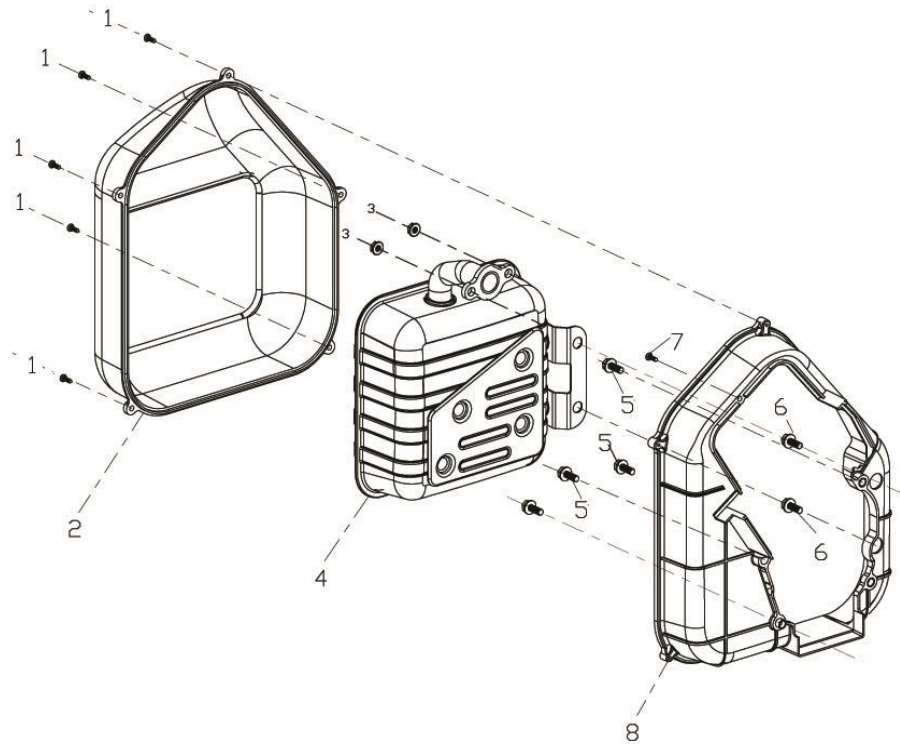
Ref.no	Part No.	Description	Quantity
1	PGL00031	Tank cover	1
2	PGL00032	Pouring orifice filter screen combination	1
3	170620015-0001	Rubber lagging for pouring orifice	1
4	170700162-0001	Tank damping cushion	3
5	PGL00035	Tank	1
6	381210035-0001	Cross recessed small pan head screw	1
7	PGL00033	Oil switch knob	1
8	380750964-0001	Oil tube	1
9	380770285-0001	Protective sleeve	1
10	380960170-0002	Clip combination	3
11	380750965-0001	Oil tube	1
12	380960225-0001	Clip combination	1
13	380140001-0006	Hexagon bolt with flange	1
14	170980135-0001	Components of oil switch	1
15	661920017-0001	Combination Switch	1
16	PGL00020	Fuel filter	1
17	380770189-0001	Protective sleeve	1



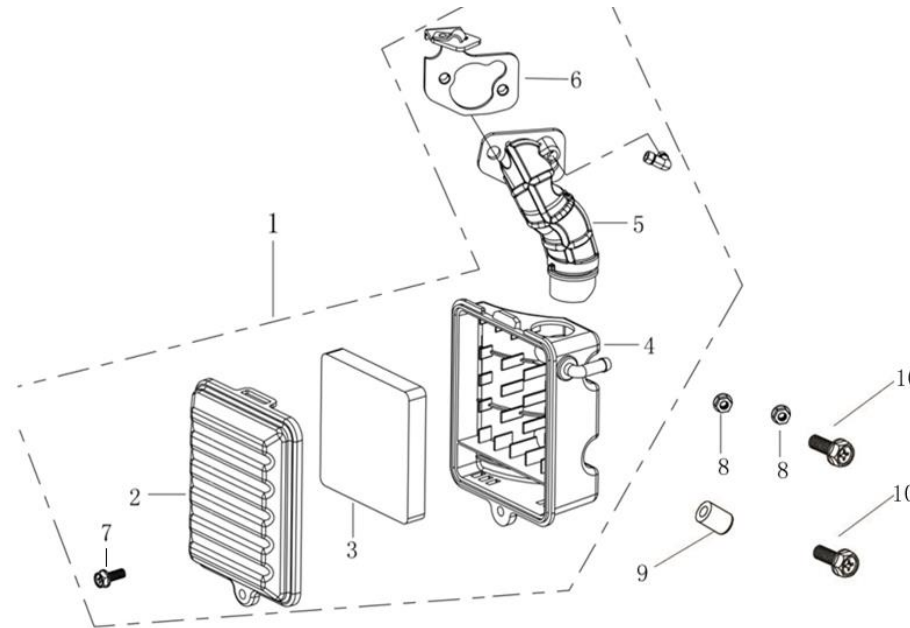
Ref.no	Part No.	Description	Quantity
1	PGL00028	Inverter assy	1
2	290340050-0001	Cushioning rubber	2
3	380140429-0001	Hexagon bolt with flange	2
4	290340051-0001	Cushioning rubber	2



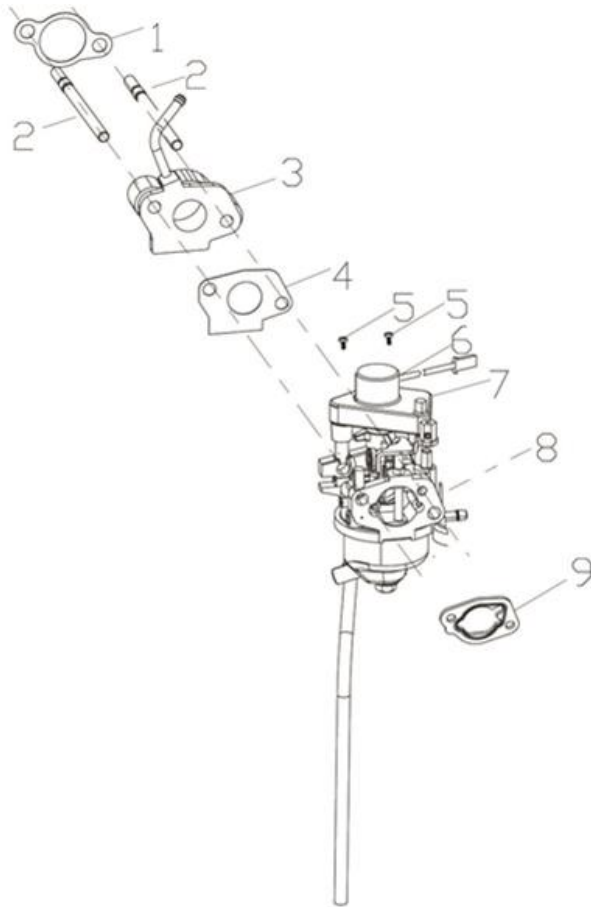
Ref.no	Part No.	Description	Quantity
1	380140003-0005	Hexagon bolt with flange	2
2	PGL00027	COIL ASSY.,IGNNTION	1
3	660080601-0001	Components of motor	1
4	380140185-0003	Hexagon bolt with flange	4
5	160180039-0001	Impeller	1
6	193590040-0001	Starting disc	1
7	380370051-0001	Hexagon nut with flange	1
8	380140002-0006	Hexagon bolt with flange	4



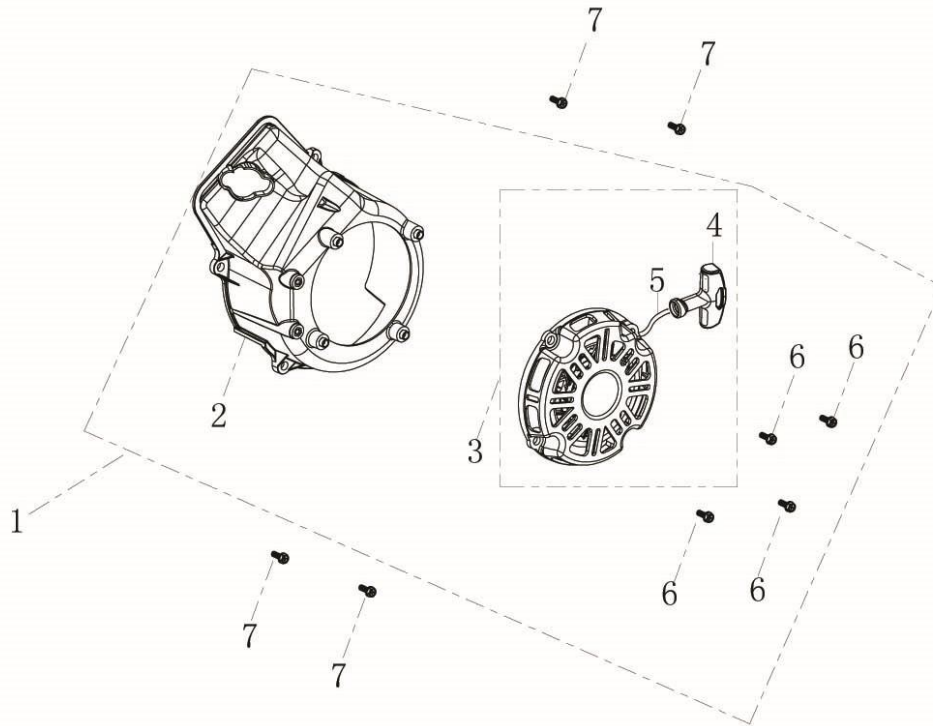
Ref.no	Part No.	Description	Quantity
1	380310135-0001	Cross recessed pan head tapping screw	5
2	180960193-0001	Muffler guard shield	1
3	380340005-0005	Hexagon nut	2
4	180572122-0001	Muffler	1
5	380140002-0006	Hexagon bolt with flange	4
6	380140040-0005	Hexagon bolt with flange	2
7	380310135-0001	Cross recessed pan head tapping screw	1
8	180960194-0001	Muffler guard shield	1



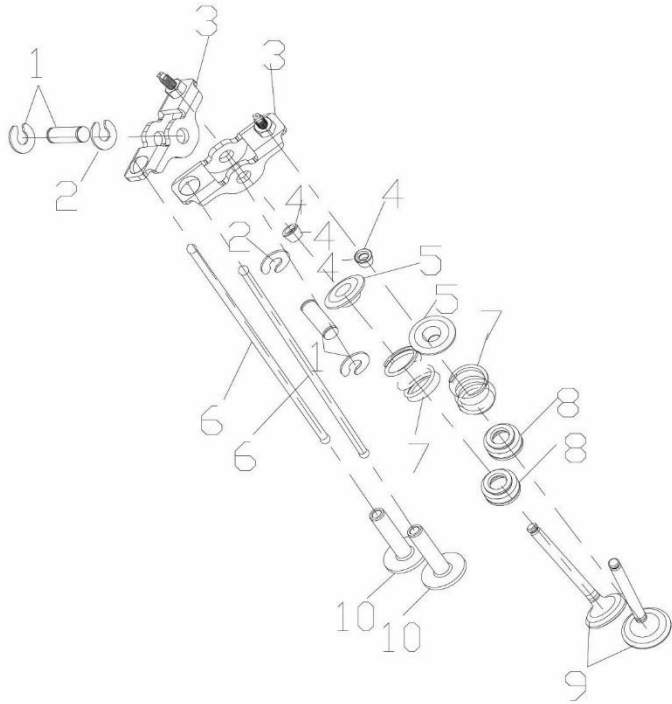
Ref.no	Part No.	Description	Quantity
1	PGL00025	Air filter	1
2	180070256-T21C	Air filter casing cover	1
3	180130295-0001	Air filter element	1
4	180280120-T21C	Air filter seat	1
5	380741286-T21C	Breather tube	1
6	171480036-T21C	Choke valve bracket	1
7	380140742-0001	Hexagon bolt with flange	1
8	380370048-0001	Hexagon nut with flange	2
9	381000305-0001	Caulking	1
10	380140002-0006	Hexagon bolt with flange	2



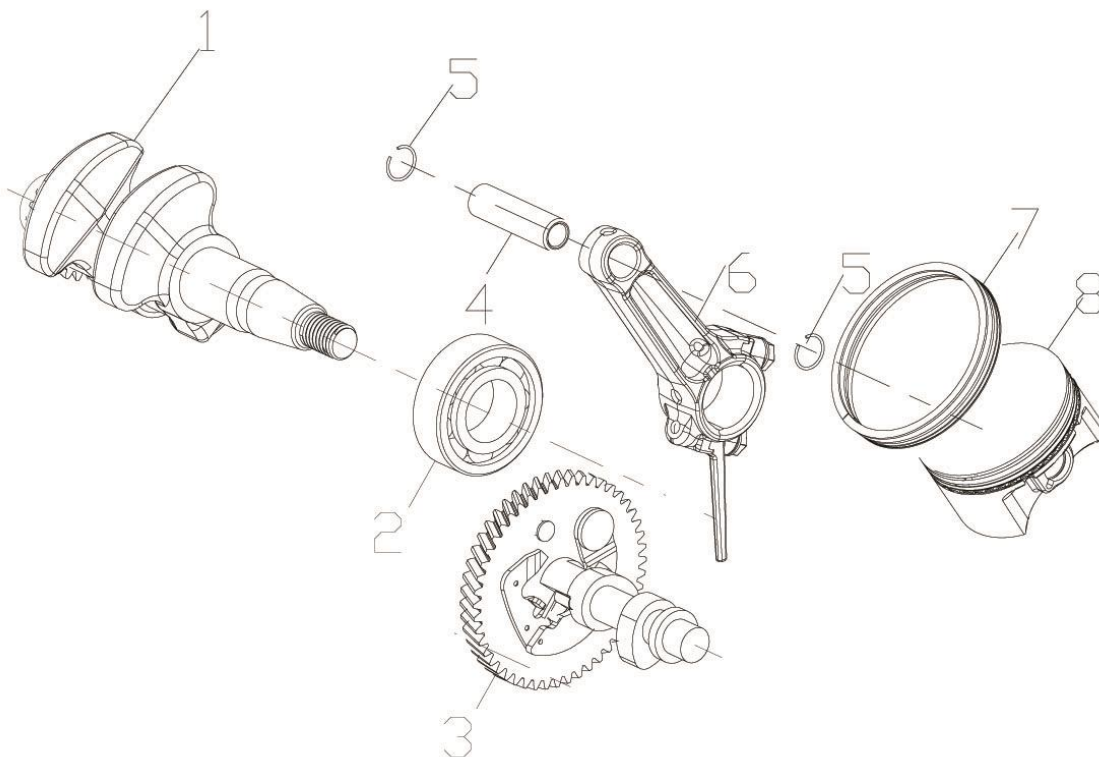
Ref.no	Part No.	Description	Quantity
1	170430209-0001	Carburetor gasket	1
2	380180206-0001	Stud	2
3	170440111-0001	Heat insulating pad for carburetor	1
4	170430048-0001	Carburetor gasket	1
5	380200069-0002	Cross recessed pan head screw	2
6	660910003-0001	RUBBER PLUG	1
7	PGL00059	Mounting bracket of speed-regulated step motor	1
8	PGL00019	Carburetor	1
9	170430065-0001	Carburetor gasket	1



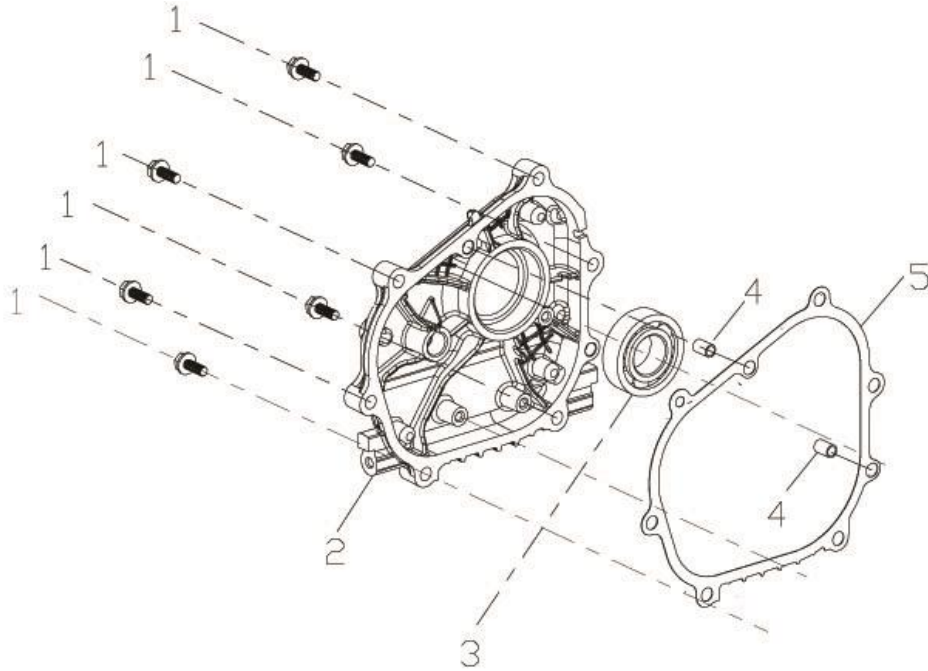
Ref.no	Part No.	Description	Quantity
1	PGL00085	Manual starting assembly	1
2	160210139-0001	Fan cover comp.	1
3	PGL00029	Manual starting components	1
4	193560019-0001	Pull rope handle	1
5	193530028-0001	Pull rope	1
6	380140209-0001	Hexagon bolt with flange	4
7	196970007-0001	Rope Support	1
8	380140003-0005	Hexagon bolt with flange	4



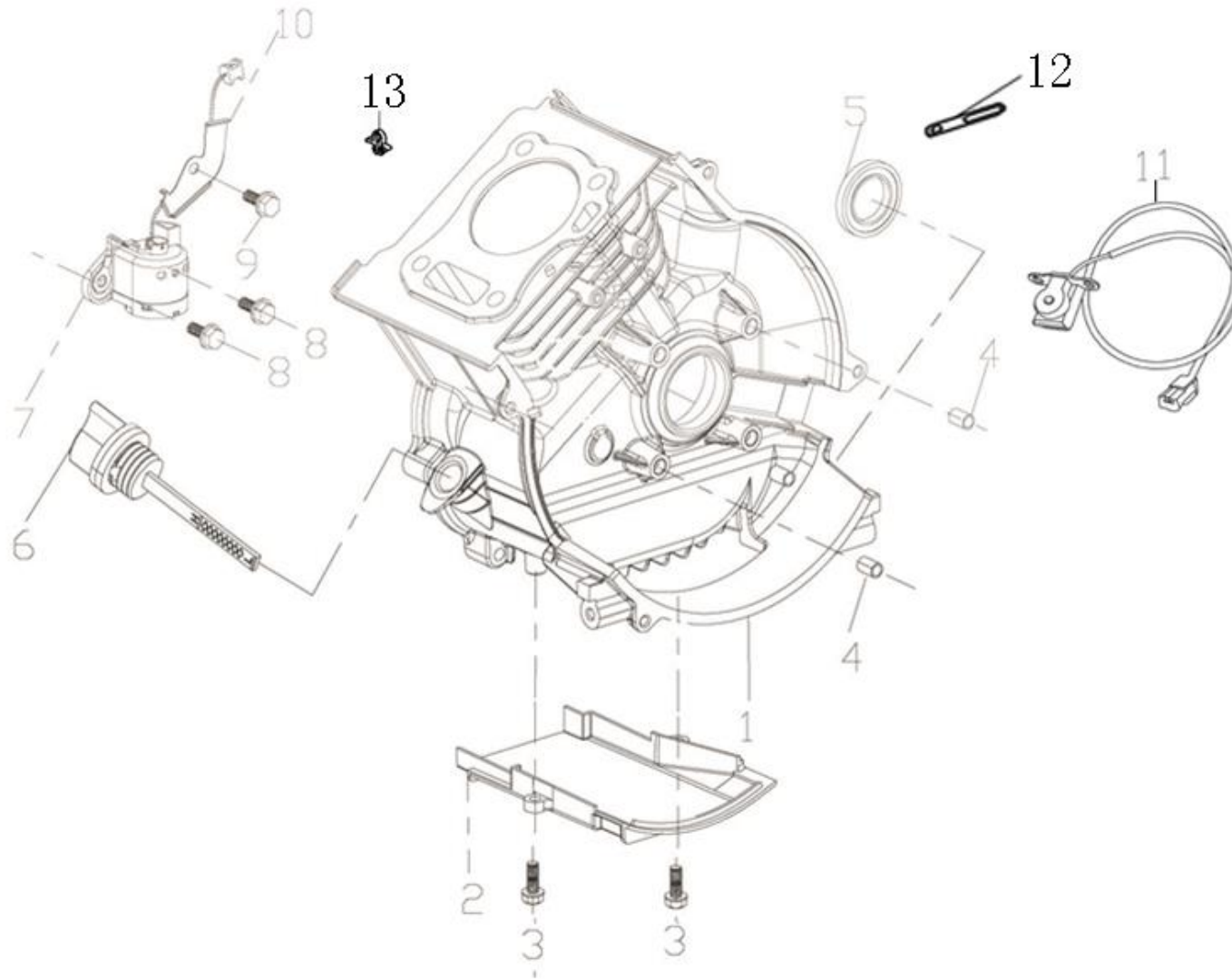
Ref.no	Part No.	Description	Quantity
1	141730001-0001	Valve rocker shaft	2
2	380570024-0003	Split damping ring	4
3	140450056-0001	Valve rocker combination	2
4	140390025-0001	Valve locker	4
5	140380054-0001	Retainer, valve spring	2
6	140670061-0001	Push rod	2
7	140340039-0001	Inner spring of valve	2
8	140400016-0001	Valve oil seal	1
9	PGL00098	Valve Kit	1
10	140690002-0001	Lifter, Valve	2



Ref.no	Part No.	Description	Quantity
1	130290580-0001	crankshaft	1
2	380630417-0001	Bearing	1
3	140020114-0001	Camshaft assy	1
4	130060030-0001	Piston pin	1
5	380560055-0001	Steel cable baffle ring	2
6	PGL00082	Connecting rod	1
7	130070255-0001	Piston ring combination	1
8	130030295-0001	Piston	1



Ref.no	Part No.	Description	Quantity
1	380140028-0004	Hexagon bolt with flange	6
2	110820196-0001	Crankcase cover	1
3	380630417-0001	Bearing	1
4	380600120-0001	ocation pin	2
5	110830070-0001	Crankcase cover gasket	1

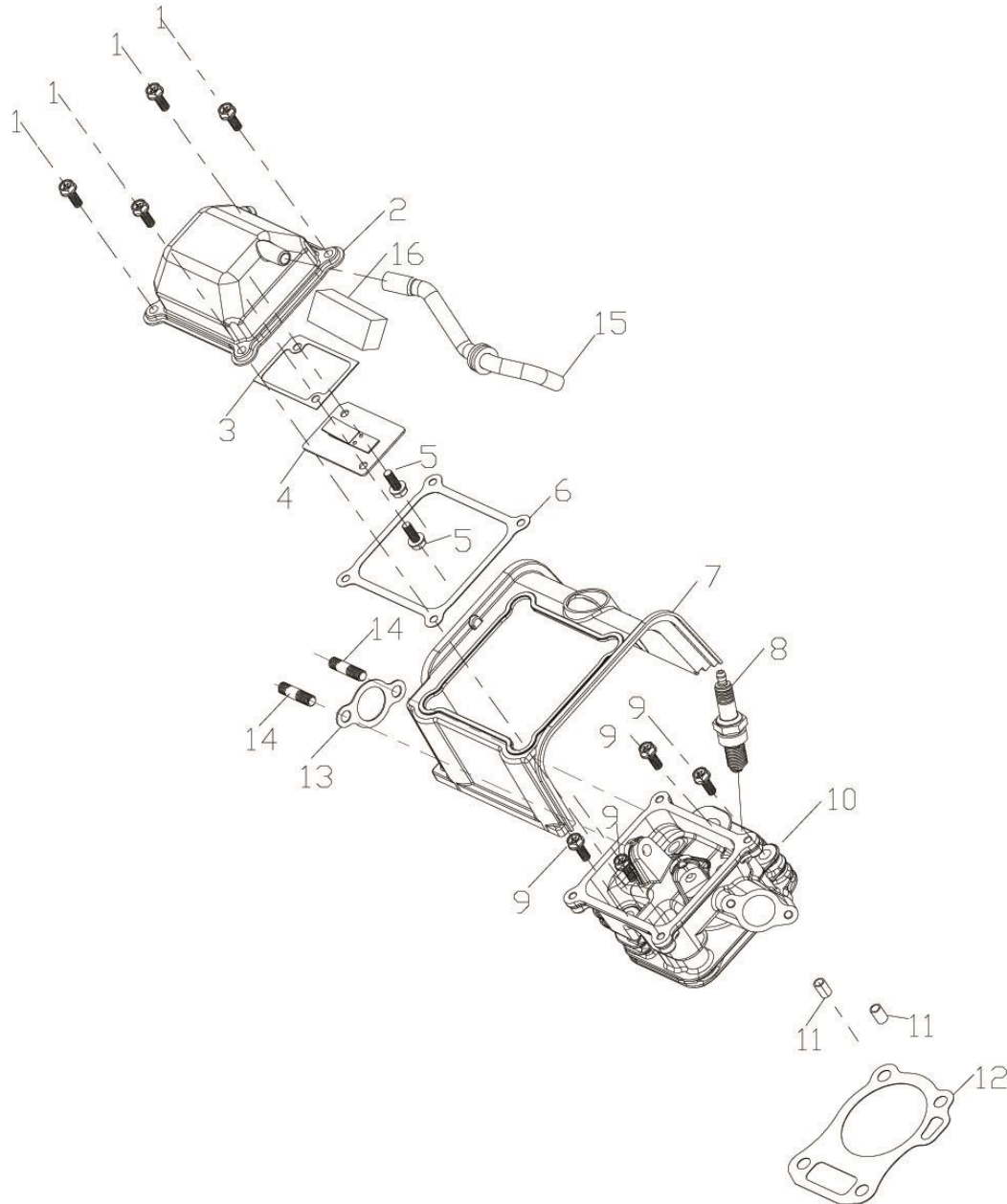


Ref.no	Part No.	Description	Quantity
1	110810461-0001	Crankcase body	1
2	160200072-0001	Side plate	1
3	380140167-0002	Hexagon bolt with flange	2
4	380600121-0001	ocation pin	2
5	380650347-0001	Oil seal	1
6	110690104-0001	Oil rule combination	1
7	281850341-0001	Oil level sensor	1
8	380140002-0006	Hexagon bolt with flange	2
9	380140011-0004	Hexagon bolt with flange	1
10	110480032-0001	Pressing plate	1
11	PGL00080	Trigger comp	1
12	380940346-0001	Cable cleat	1
13	380930027-0001	Location wire nail	1

P3000i- CYLINDER HEAD



Service
& Parts



IMPORTANT NOTICE: Before using this information please check if updated releases have been published on Pramac Service & Parts Online Center <http://www.pramacparts.com>



P3000i- CYLINDER HEAD



Service
& Parts

Ref.no	Part No.	Description	Quantity
1	380140003-0005	Hexagon bolt with flange	1
2	120230186-0001	Cylinder head cover	1
3	110850027-0001	PACKING, BREATHER CHAMBER	1
4	110840038-0001	CAP,BREATHER CHAMBER	1
5	380140429-0001	Hexagon bolt with flange	2
6	120250068-0001	Gasket for cylinder head cover	1
7	160190109-0001	air deflector	1
8	PGL00030	Spark plug	1
9	380140336-0001	Hexagon bolt with flange	4
10	PGL00096	Cylinder head	1
11	380600117-0001	ocation pin	2
12	PGL00097	Gasket for cylinder head	1
13	180650080-0001	Outlet gasket	1
14	380180098-0001	Stud	2
15	380741287-0002	Breather tube	1
16	150290027-0001	Engine oil Strainer	1

