



Service
& Parts

Spare Parts Catalogue

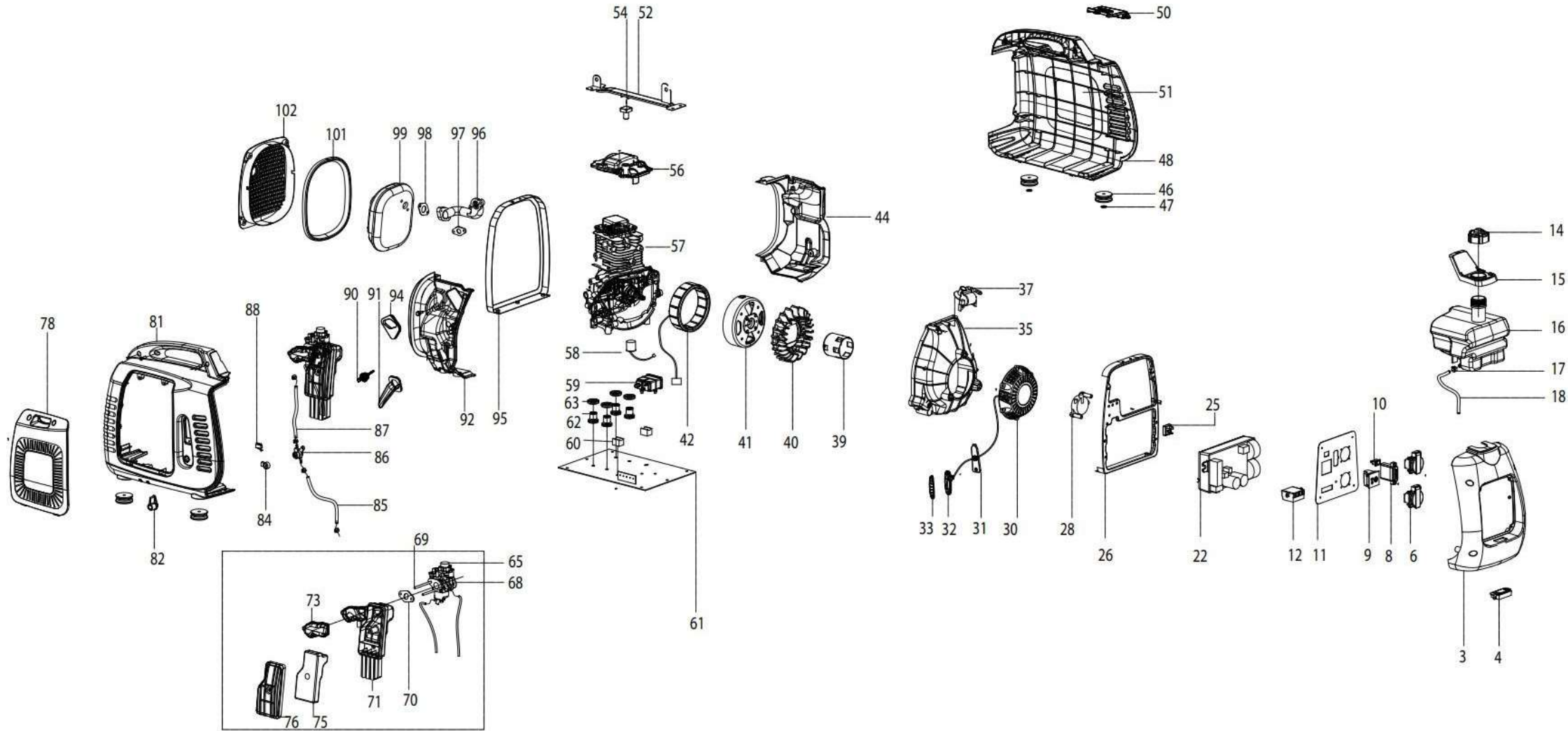
PMi2000

Consumer Power | Generating sets

Valid for machine code: **PR162SXIIY00**

Revision: 0



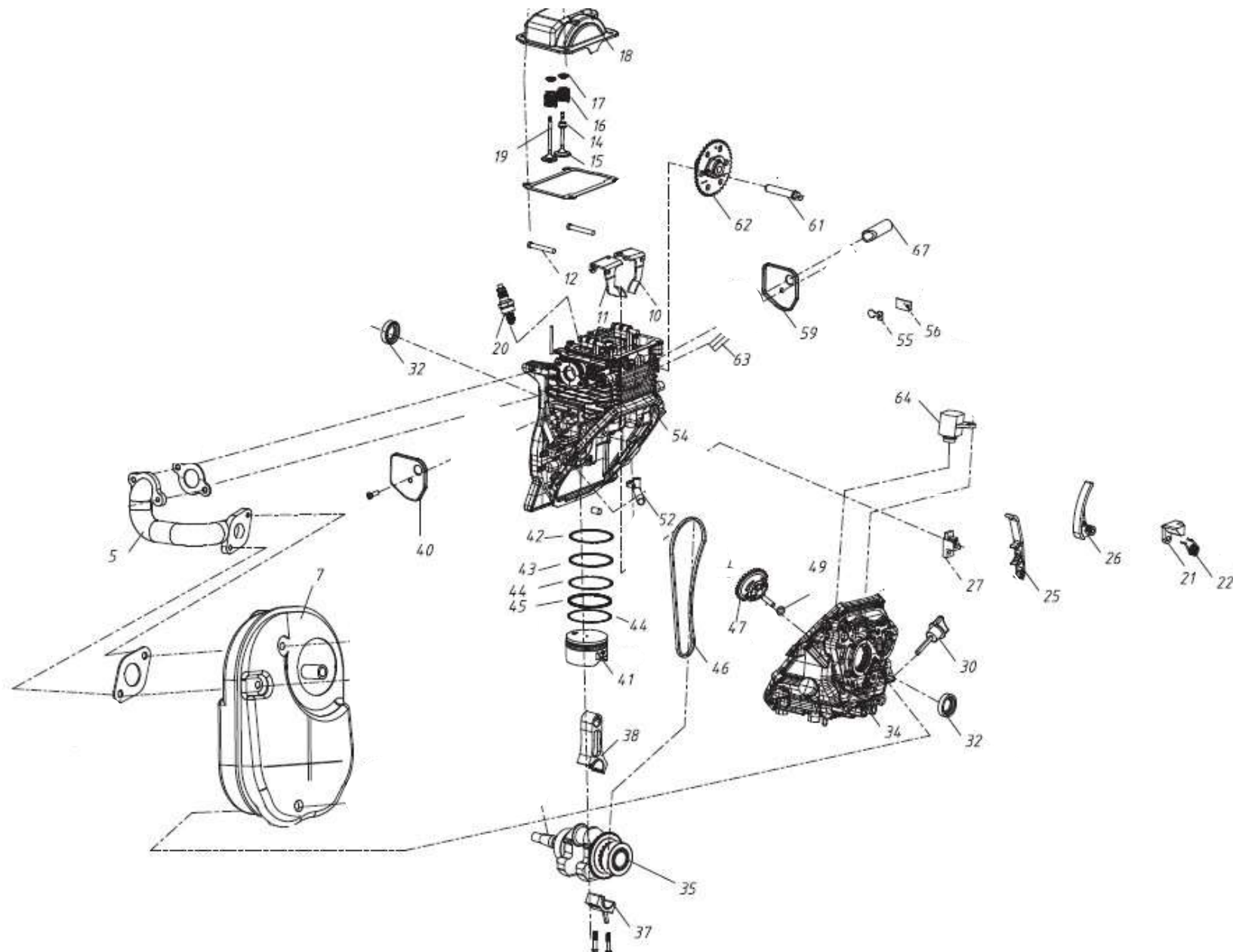


Position	Part Number	Description	Note
3	PET3200035	FRONT COVER	
4	PET3200032	DIGITAL DISPLAY	
6	PET2200015	AC SOCKET	
8	PET00097	USB OUTPUT SOCKET	
9	PET2200019	DC SOCKET	
10	PET6200009	INTELLIGENT SWITCH	
11	PET6200010	PANEL	
12	PET6200001	IGNITER	
14	PET3200008	FUEL TANK CAP	
15	PET2000016	OPENING PAD	
16	PET00032	FUEL TANK	
17	PET2200067	φ9.8,10.5,SHROUD RING	
18	PET2200002	OIL PIPE	
22	PET00008	INVERTER	
25	PET6200004	BRIDGE RECTIFIER	
26	PET5200002	FRONT BRACKET	
28	PET6200005	OIL PUMP	
30	PET2200014	STARTUP DISK	
31	PET3200022	PULL COVER	
32	PET3200027	HANDLE	
33	PET3200028	HANDLE COVER	
35	PET3200010	FRONT WIND CHANNEL	
37	PET00022	IGNITION COIL	
39	PET8200012	STARTUP SUPPORT	
40	PET8200011	VANE	
41	PET5200007	FLYWHEEL	
42	PET9200003	MOTOR	
44	PET3200012	RIGHT WIND CHANNEL	
46	PET00101	SHELL SHOCK PAD	
47	PET2200071	φ12PAD	



Position	Part Number	Description	Note
48	PET3200034	RIGHT SHELL	
50	PET3200038	SPARK PLUG COVER	
51	PET9200018	SOUNDPROOF SPONGE	
52	PET5200001	UPPER BRACKET	
54	PET2200016	UPPER BRACKET SHOCK PAD	
56	PET8200013	VALVE PLUG	
57	PET8200001	ENGINE	
58	PET8200014	OIL SENSOR	
59	PET8200015	CARBON TANK	
60	PET2200012	WIND CHANNEL SHOCK PAD	
61	PET5200004	BASEBOARD	
62	PET2200014	ENGINE SHOCK PAD	
63	PET2200009	WIND CHANNEL SEAL RING	
65	PET00026	STEPPER MOTOR	
68	PET8200002	CARBURETOR	
69	PET2200073	M5*120 DOUBLE HEAD WORM	
70	PET3000058	CARBURETOR、AIR FILTER PAD	
71	PET3200017	AIR FILTER BOX	
73	PET3000013	SMALL AIR FILTER COVER	
75	PET00095	AIR FILTER SPONGE	
76	PET3200018	BIG AIR FILTER COVER	
78	PET3200037	MAINTENANCE COVER	
81	PET3200033	LEFT SHELL	

Position	Part Number	Description	Note
82	PET00014	MAIN SWITCH SPANNER	
84	PET3200035	TOUCH SWITCH SHIFTING BLOCK	
85	PET2200004	OIL SWITCH VALVE	
86	PET5200020	OIL SWITCH	
87	PET3200014	OIL SWITCH STAND	
88	PET6200008	TOUCH SWITCH	
90	PET8200016	OIL RULER	
91	PET2200008	OIL MOUTH SCRAPER RING	
92	PET3200011	LEFT WIND CHANNEL	
94	PET8200008	BLACK LEAD PAD	
95	PET5200003	TAIL BRACKET	
96	PET8200017	SILENCER ELBOW	
97	PET8200018	SILENCER PAD	
98	PET8200019	SILENCER PAD	
99	PET8200020	SILENCER	
101	PET2200018	REAR COVER SEAL RING	
102	PET3200036	REAR COVER	



ENGINE

Position	Part Number	Description	Note
5	PET10000736	MUFFLER ELBOW	
7	PET10000738	MUFFLER	
10	PET10000529	INTAKE ROCKER ARM	
11	PET10000528	OUTLET ROCKER ARM	
12	PET10000525	ROCKER PIN	
14	PET10002046	INTAKE VALVE OIL SEAL	
15	PET10000530	INTAKE VALVE OIL SEAL	
16	PET10000527	VALVE SPRING	
17	PET10000336	VALVE SPRING SEAT	
18	PET20000851	CYLINDER HEAD COVER	
19	PET10000759	EXHAUST VALVE	
20	PET10005896	SPARK PLUG	
20	PET10005897	SPARK PLUG HAT	
21	PET20000958	CHAIN SUPPORT BLOCK	
22	PET10000521	TORSION SPRING	
25	PET10002045	CHAIN PRESSURE PLATE	
26	PET10002043	CHAIN PRESSURE PLATE	
27	PET20000959	CHAIN SUPPORT BLOCK	
30	PET10001881	OILDIPSTICK	
32	PET10002168	OIL SEAL	
34	PET20000849	GEARBOX	

Position	Part Number	Description	Note
35	PET10000524	CRANKSHAFT COMBINATION	
36-38	PET10000537	CONNECTING ROD COMBINATION	
40	PET10000531	BREATHING CHAMBER COVER	
41	PET10000646	PISTON	
42	PET10000642	PISTON RING-1	
43	PET10000643	PISTON RING-2	
44	PET10000644	PISTON RING-3	
45	PET10000645	PISTON RING-3-1	
46	PET10003060	TIMING CHAIN	
47	PET10002049	SPEED CONTROL GEAR	
49	PET10000512	GEAR WASHER	
52	PET10002044	PLASTIC OIL PIPE	
54	PET20000848	ENGINE CASE	
55	PET10000760	BREATHING VALVE	
56	PET10000334	VALVE PLATE	
59	PET10000739	BREATHING CHAMBER SIDE COVER	
61	PET10003334	O-RING	
62	PET10000520	CAM COMPONENTS	
63	PET10000744	OIL AND GAS SEPARATION NETWORK	
64	PET10002170	OIL SENSOR	
67	PET10002167	AIR PRESSURE BALANCE TUBE	