



Service & Parts

Spare Parts Catalogue

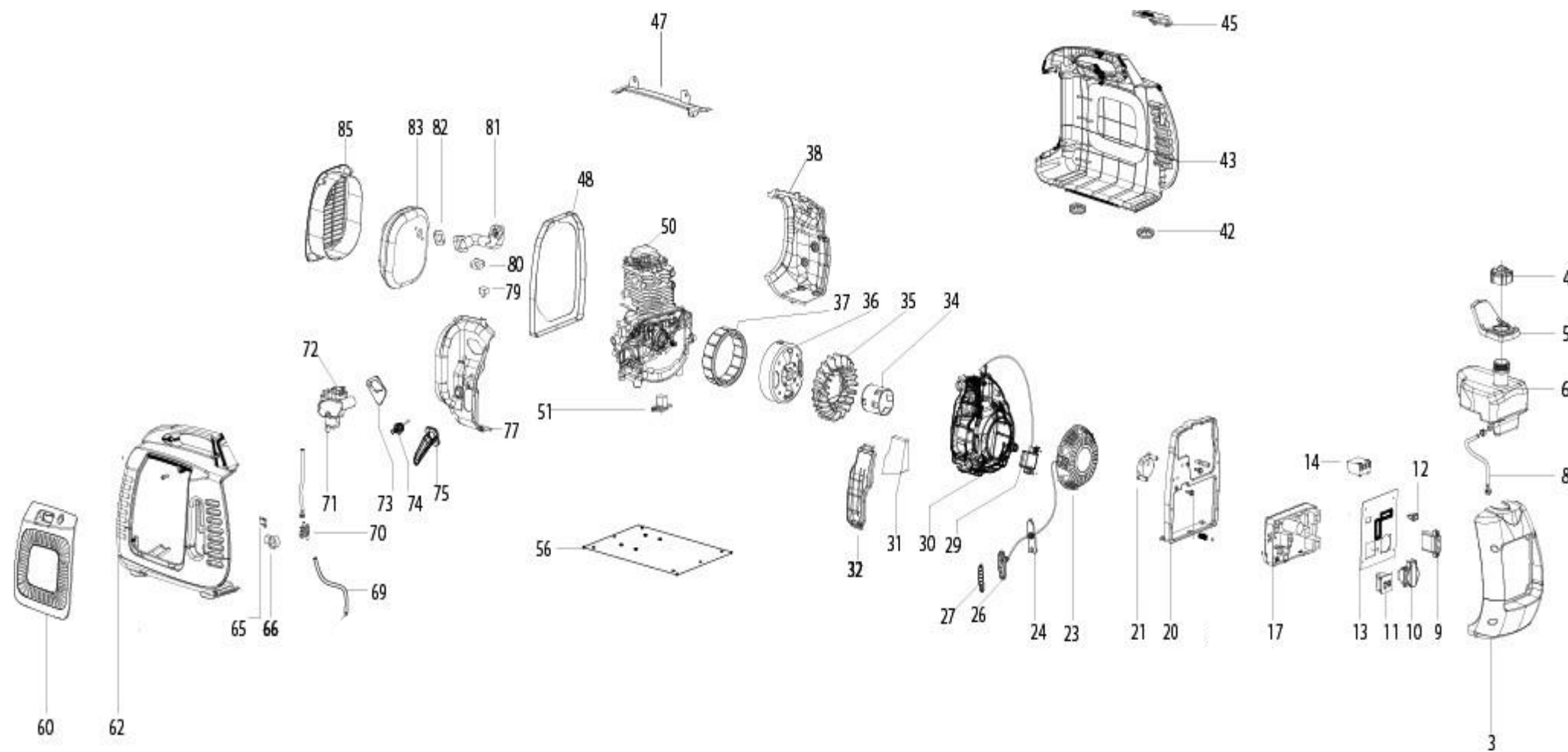
PMi1000

Consumer Power | Generating sets

Valid for machine code: PR911SXIY00

Revision: 0



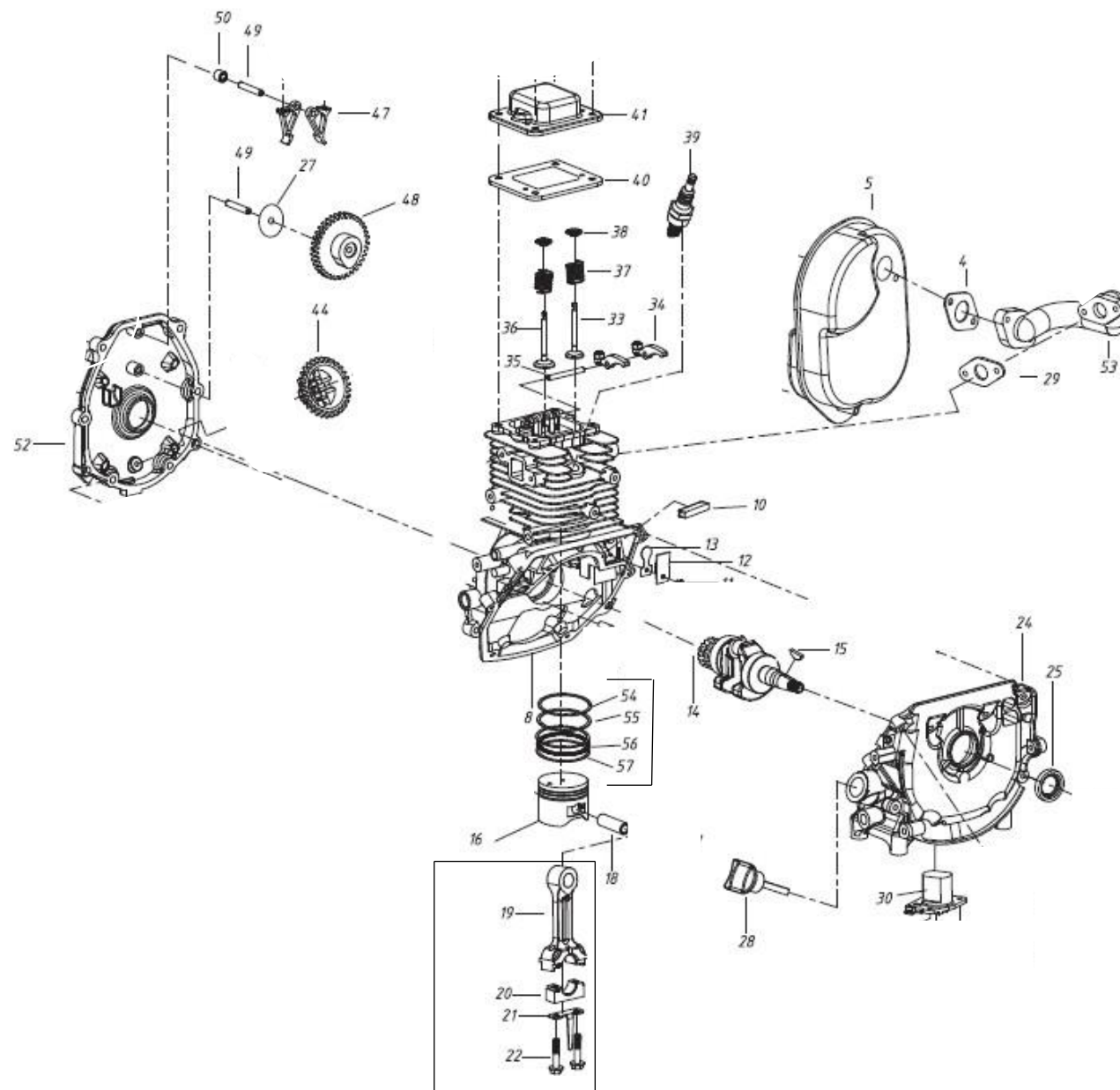


FRAME

Position	Part Number	Description	Note
3	PET3000035	front cover	
4	PET00006	fuel tank cap	
5	PET2000016	opening pad	
6	PET00094	fuel tank	
8	PET2000002	oil pipe	
9	PET00097	USB output socket 5V*2A	
10	PET00096	AC socket	
11	PET2000019	DC socket	
12	PET6000009	intelligent switch	
13	PET5000005	panel	
14	PET00020	IGNITIOIN-IGNITOR	
17	PET00009	inverter	
20	PET5000002	front bracket	
21	PET00021	FUEL PUMP	
23	PET00011	startup disk	
24	PET2430000	pull cover	
26	PET3000028	handle	
27	PET3000029	handle cover	
29	PET00022	ignition coil	
30	PET3000010	wind channel front cover	
31	PET00036	air filter sponge	
32	PET3000019	MANIFOLD	

Position	Part Number	Description	Note
34	PET8000006	startup support	
35	PET8000011	vane	
36	PET5000010	flywheel	
37	PET9000003	motor	
38	PET3000012	right wind channel	
42	PET2000014	shell shock pad	
43	PET3000034	right shell	
45	PET3000038	spark plug cover	
47	PET5000001	upper bracket	
48	PET5000003	tail bracket	
50	PET8000001	engine	
51	PET8000013	oil sensor	
56	PET5000004	baseboard	
60	PET3000037	maintenance cover	
62	PET3000033	left shell	
65	PET6000008	touch switch	
66	PET3000014	touch switch shifting block	

Position	Part Number	Description	Note
69	PET2000002	oil pipe	
70	PET00019	FUEL SWITCH	
71	PET8000002	Intake manifold	
72	PET00026	stepper motor	
73	PET8000008	black lead pad	
74	PET8000014	oil ruler	
75	PET2000008	oil mouth lead pad	
77	PET3000011	left wind channel	
79	PET2000017	upper bracket shock pad	
80	PET8000015	silencer pad1	
81	PET00105	silencer elbow	
82	PET8000017	silencer pad2	
83	PET8000018	silencer	
85	PET00102	rear cover	



Position	Part Number	Description	Note
4	PET10002850	silencer pad	
5	PET10001502	muffler	
8	PET20000945	cylinder block combination	
10	PET10000063	oil gas serparatiob block	
12	PET10000334	Reed valve pressure plate	
13	PET10000335	Reed valve	
14	PET10001486	crankshaft	
15	PET10002981	key	
16	PET10000460	piston	
18	PET10000324	piston pin	
24	PET20000972	base box	
25	PET10001869	oil seals	
27	PET10000187	anti-wear gaskets	
28	PET10001881	oil scale	
29	PET10002849	exhaust ports pads	
30	PET00106	oil sensor set	
33	PET10000340	exhaust valves	
34	PET10000328	rocker arm assembly	
35	PET10000342	rocker arm shaft	

ENGINE

Position	Part Number	Description	Note
36	PET10000341	intake valves	
37	PET10000333	valve springs	
38	PET10000336	valve spring seat	
39	PET10005896	spark plug	
39	PET10005897	copper nut cap	
41	PET10000348	Cylinder head guard	
44	PET10001932	Speed control gear	
46	PET10000337	pushord	
47	PET10000338	Lower swingarm	
48	PET10000455	Cam gears	
49	PET10003055	Long pin shaft	
52	PET20000968	Side Glands	
19-22	PET10000317	Connecting rod assembly	
54-57	PET10000465	Piston ring	