

## Spare Parts Catalogue

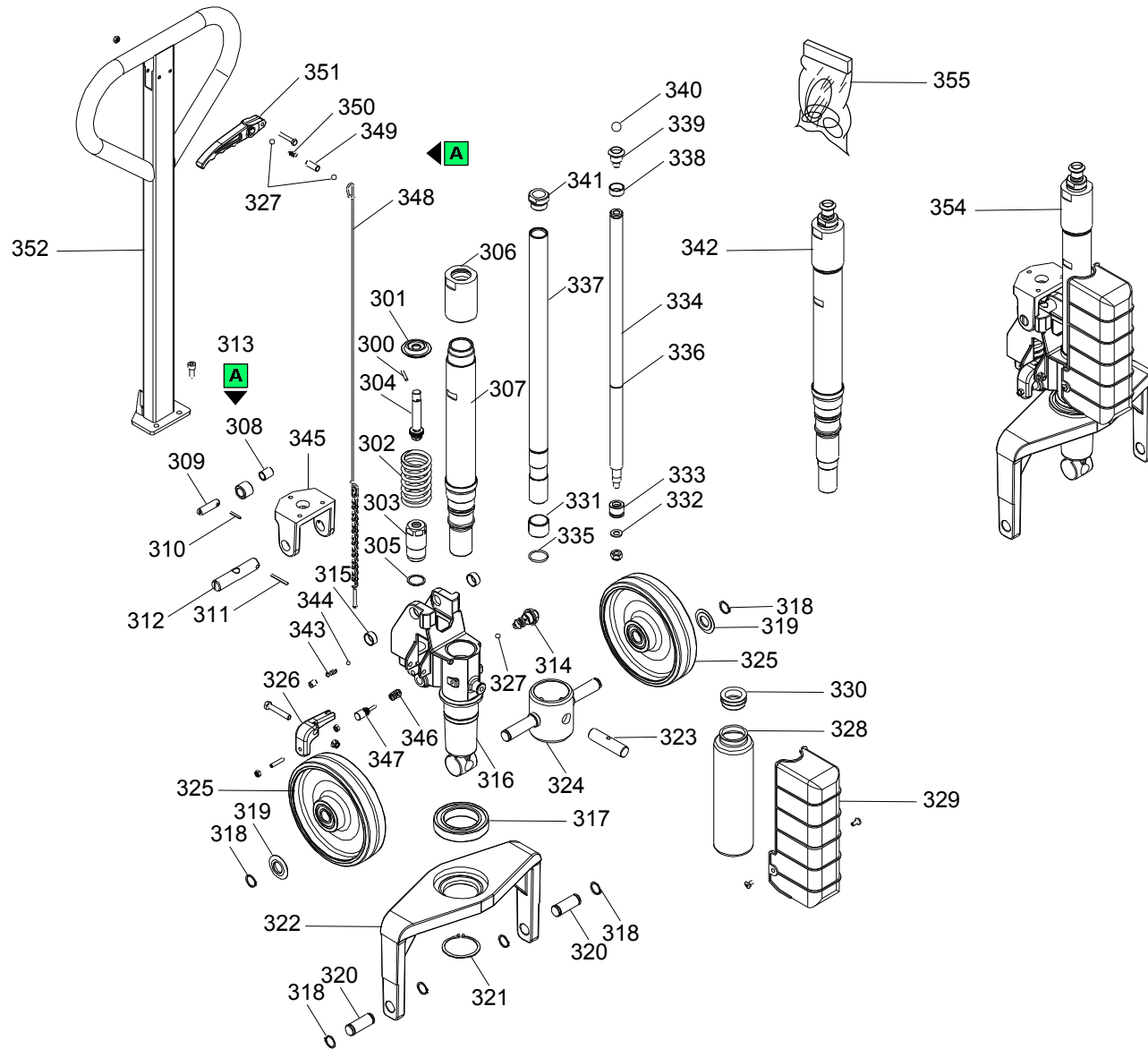
# HX10M-2008-L.540

Handling systems | High lift pallettruck

Valid for machine code: GT0420VBC00

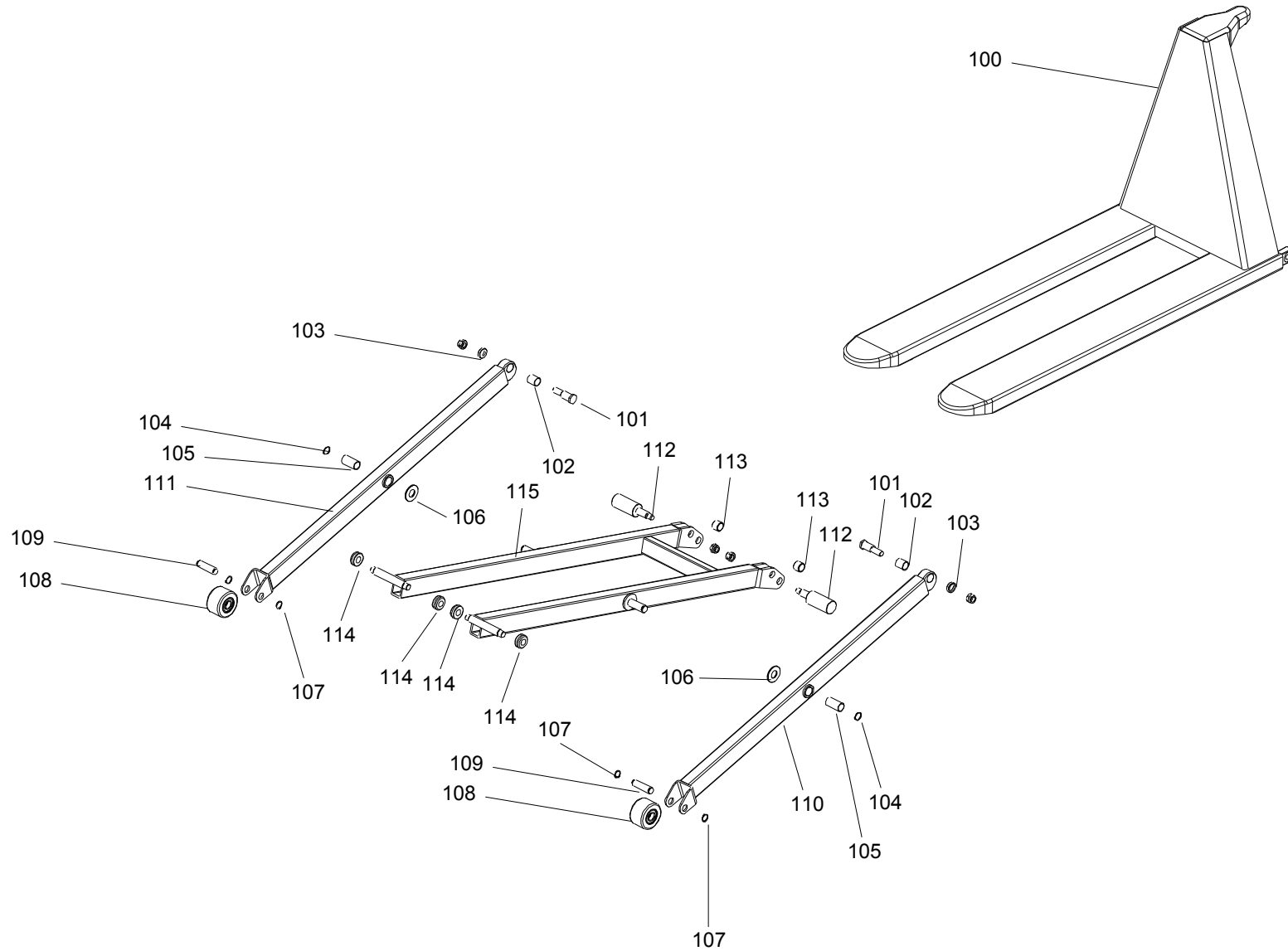
Revision: 0 (2/2009)

Copyright 2017 Pramac Group, All Rights Reserved.



Position	Part Number	Description	Notes
300	G044420	Cylindrical Plug D4x28 H8	-
301	▲ S000017301	Spring Guide Plate Hx10m Burnished	Valid for products manufactured until 27/11/2009
	▲ S000017302	Spring Guide Plate Hx10m '09 (burnished)	Valid for products manufactured from 27/11/2009
302	G001143	Plunger Recovery Spring Hx10m	-
303	P0C700001	Cylinder + Gaskets Hx10m	-
304	S000017084	Pumping Cylinder Hx10m '09 (complete)	-
305	G096004	Copper Washer 25.5x31x1. Inner Diam. Tol. 0/+0.5 - Outer Diam. Tol. -0.5/0	-
306	▲ S0042015006	First Stage Slide Guide Bushing HI10m	Valid for products manufactured until 19/06/2014
	▲ S000017514	First Stage Slide Guide Bushing Hx10m '14	Valid for products manufactured from 19/06/2014
307	S000017603	First Stage Guide Hx10m (machined)	-
308	G016393	Self-lubricating Bushing Fe 12x16x20	-
309	S0004013002	Pump-up Roller Pin Gs	-
310	G044344	Elastic Peg Spirol 8748 D 4x24	-
311	G044318	Elastic Peg Spirol 8748 D 4x40	-
312	▲ S000017065	Chain Guide Pin	Valid for products manufactured until 28/06/2012
	▲ S0004013008	Chain Guide Pin (I.98) Burnished	Valid for products manufactured from 28/06/2012
313	S0042013004	Complete Pump-up Roller HI10m	-
314	▲ S000010074	Complete No Return Valve Gs '11	Valid for products with serial numbers until HLI0358989
	▲ S000051001	Complete Sealing Valve Proportional Gs '16	Valid for products with serial numbers from HLI0358989
315	S0004018002	Body Pump Bushing Gs (20x22x10)	-
316	S000017904	Body Pump Hx10m '09 (machined And Washed)	-
317	G010220	Bearing 6012 Rs(60-95-18)	-
318	G042120	Outer Seeger 7435 E 20	-
319	G091101	Wheel Dustguard Tp 47x20 Sp3.9 Tellure	-
320	S0041015002	Pin Cross HI10m/ped.I-k20 Burnished	-
321	G042160	Outer Seeger 7435 E 60	-
322	S0042010013	Cross HI10m (I.540) Machined	-
323	S0042015012	Balancing Axle HI10m "burnished"	-
324	S0012010216	Balancing Painted Gs/cat	-
325	S000007036	Wheel Injected Polyurethane/nylon Black Color D200x45+bearings '07 Gs	-
	S000007047	Wheel White Nylon D200x50 Heavy Duty Version + Sealed Bearings	-
	S0004010186	Nylon Wheel D200 With Bearings	-
326	S000003901	Opening Spill Pedal '07 Gs	-
327	G016104	Ball 5/16" (mm7,938)	-
328	S0042018011	Tank HI10m (rubber)	-
329	S0042018010	Oil Tank Protection HI10m	-
330	S0042018013	Oil Tank Cap HI10m (nylon)	-

Position	Part Number	Description	Notes
331	S0042011003	Semi-rings Couple HI10m	-
332	G041904	Plain Washer 6592 10.5x21 Zn	-
333	S000017508	Guida Secondo Stelo Hx10m '05	-
334	▲ S000017507	Secondo Stelo Hx10m '05	Valid for products manufactured until 19/06/2014
	▲ S000017500	Second Rod Hx10m '14	Valid for products manufactured from 19/06/2014
335	S0042018003	First Stage Sliding Ring HI10m	-
336	G042326	Seeger Sw 22 (x HI10m)	-
337	S0042016004	First Stage Chromium-plated Piston Rod HI10m	-
338	S0042216018	Second Stage Spacer HI10m	-
339	S0042015008	Ball Guide HI10m-hl10e	-
340	G016119	Ball 5/8" (mm15,875) Ball 3	-
341	▲ S0042011012	Second Stage Slide Guide Bushing HI10m New	Valid for products manufactured until 19/06/2014
	▲ S000017515	Second Stage Slide Guide Bushing Hx10m '14	Valid for products manufactured from 19/06/2014
342	S000017016	Telescopic Cylinder Hx10m	-
343	G001104	Spring De8 F.1,7x22 P.3,5 Grinded	-
344	G016116	Ball 7/32" (mm5,556)	-
345	▲ S000017108	Bridge Hx10m	Valid for products manufactured until 08/04/2015
	▲ S000017905	Pumping Bracket Hx10m '09 (machined)	Valid for products manufactured from 08/04/2015
346	▲ G001102	Pedal Return Spring	Valid for products manufactured until 08/04/2015
	▲ S000003900	Opening Plunger Spring Gs '15	Valid for products manufactured from 08/04/2015
347	▲ P3VA00001	Slot Pin Gs '02 Complete (spare Part)	Valid for products manufactured until 08/04/2015
	▲ P3VA00007	Kit Spillo Apertura + Molla Gs-av	Valid for products manufactured from 08/04/2015
348	▲ S000017005	Complete Handle Tension Rod Hx10m	Valid for products manufactured until 16/03/2016
	▲ S000017078	Tie Rod Ø2.8+chain+pin Hx10m '09	Valid for products manufactured from 16/03/2016
349	S0004036022	Lowering Lever Spacer Gs	-
350	G001126	Lowering Lever Spring Gs	-
351	S0004018006	Lowering Lever Pallet Truck Gs	-
352	S0042010101	Pump Handle HI10m Painted 1999	-
353	▲ S000017009	Complete Pump Handle Hx10m	Valid for products manufactured until 23/12/2010
	▲ S000069001	Complete Pump Handle Hx10m '09	Valid for products manufactured from 23/12/2010
354	▲ S000069024	Idr. Assembly Hx10m '09 L.540 + Balancing + Poly.i/nylon Black Wheels D200z45 (without Handle)	Valid for products manufactured until 15/04/2015
	▲ S000069069	Hydraulic Set Hx10m L.540 '15 + Blancing+poly I./nylon Black D200x45 Wheels	Valid for products manufactured from 15/04/2015
355	P0K100002	Gaskets Set Hx10m	-



Position	Part Number	Description	Notes
100	V000017004-PRAMAC	Frame Hx10m/e L.540 Green Painted Pramac	-
101	S0041215026	Adjusting Cam HI10e Burnished	-
102	G016395	Self-lubricating Bushing Fe 22x26x28	-
103	S0041218009	Arms Spacer HI10m/e	-
104	G042122	Outer Seeger 7435 E 22	-
105	G016304	Self-lubricating Bushing Fe 22x26x50	-
106	S0041218010	Vertical Rod Nylon Spacer HI10m/e	-
107	G042120	Outer Seeger 7435 E 20	-
108	S0041210042	Nylon Roller D80x50 + Bearing	-
109	S0041215025	Roller Pin HI10e Burnished	-
110	V000017070-9005	Painted Left Arm Hx	-
111	V000017069-9005	Painted Right Arm Hx '09	-
112	S000017045	Stabilizing Eccentric Hx10m/e '10	-
113	S0041016003	Cam Spacer HI10m/e	-
114	S0041218008	Guide Roller HI10e	-
115	▲ V000017074-9005	Mast Hx10m/e 540 '09 Painted	Valid for products manufactured from 02/02/2010
	▲ S0041210038	Vertical Rod HI10m/hl10e 540 Painted	Valid for products manufactured until 02/02/2010