

Spare Parts Catalogue

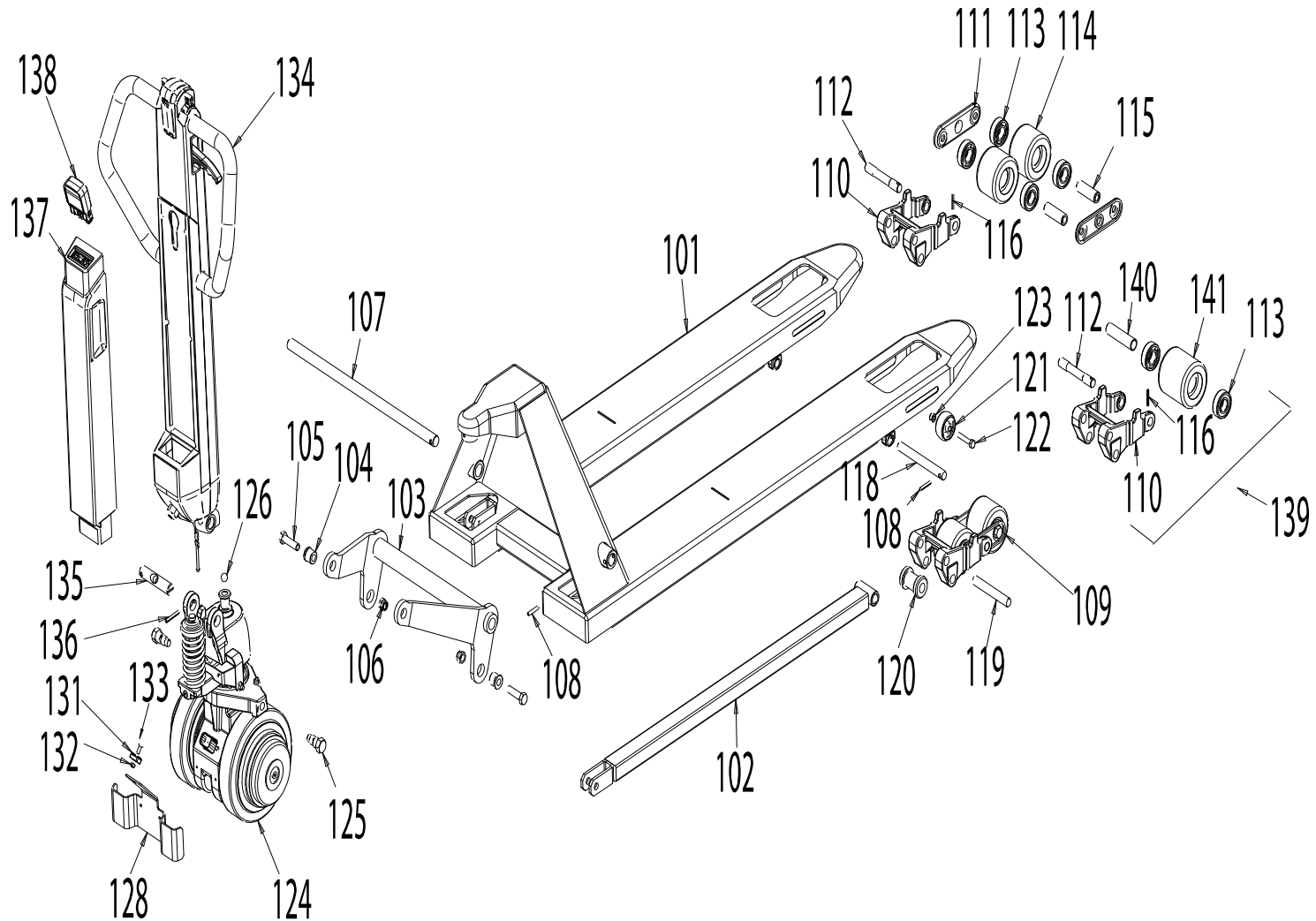
AGILE PLUS 12S4 1150x525 POLY.I-RUBBER +SUPPL.QUICKLIFT+SUPPL.MOUNTED TILLER

Electronic pallet trucks

Valid for machine code: EJ741100S00
Revision: 0 (08/2019)

AGILE PLUS 12S4 1150x525 POLY.I-RUBBER+SUPPL.QUICKLIFT
+SUPPL.MOUNTED TILLER - Machine code: EJ741100S00

Spare Parts Catalogue AGILE PLUS 12S4 1150x525 POLY.I-RUBBER
+SUPPL.QUICKLIFT+SUPPL.MOUNTED TILLER - Revision: 0 (08/2019)

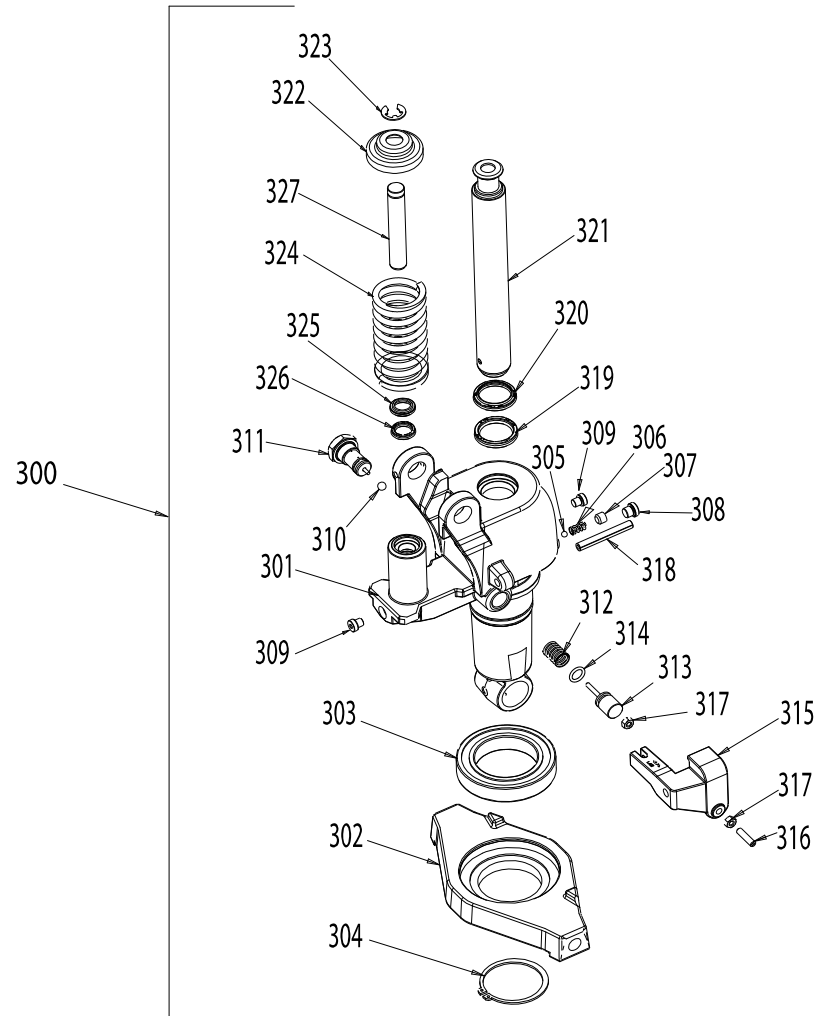


POSITION	PART NUMBER	DESCRIPTION	NOTES
101	V0001010304-PRAMAC	TELAIO GS/RA 1150x525 VERN.VERDE PRAMAC	
102	V000038008-9005	BIELLA 1150 VERNICIATA AGILE	
103	V000003039-9005	PAINTED ROCKER ARM GS 25 b5=525	
104	S0003005055	PUSH ROD INTERNALFORK BUSHING CK ZINC	
105	G020501	SCREW HEX-HEAD 5737 10.9 M12x45 ZN	
106	G034405	DADO BASSO AUTOBL. 7474 M12 ZN	
107	S0003015038	ROCKER ARM AXLE GS b5=525	
108	G044304	ELASTIC PEG 6873 D 6x32	
109	S0012030097	ROLLER TANDEM POLY.I Ø82x60 + CLEVIS GS	
110	S0002201027	DOUBLE CLEVIS GS (MACHINED)	
111	S000003005	ROCKER TANDEM GS'01 ZINC PLATED	
112	S0002205039	TANDEM CONNECTION PIN GS	
113	G010207	BEARING 6204 Z (20-47-14)	
114	S0012050170	INJECTED POLYURETHANE ROLLER D82x60 + BEARINGS	
115	S0012035029	TANDEM ROLLER SPACER GS	
116	G044307	ELASTIC PEG 6873 D 4x30	
117	G020272	SCREW HEX-HEAD 5739 65 8.8 M12x20 ZN + TREATMENT 3M SCOTCH-GRIP 2353 360°	
118	S0002205040	REFERENCE PIN GS	
119	S0002205038	PIN D16x113 GS	
120	S000003064	EXIT ROLLER GS FORK LENGTH >1500	
121	G056103	ENTRY ROLLER FORK TP/E-GS	
122	G022015	SCREW HEX-HEAD 5737 65 8.8 M8x45 ZN	
123	G034401	LOW-PROFILE SELF-LOCKING NUT 7474 M 8 ZN	
124	S000038019	COMPLETE HYDRAULIC SET GS/AV AGILE	
125	S000003302	CROSS SCREW GS	
126	G016103	BALL 9/16" (mm14,288) BALL 2	
127	G023300	FLANGED HEX HEAD TRILOBURAL SCREW M6x8 UNI 8111	
128	V08707-9005	PROTEZIONE PIEDI VERNICIATA AGILE	
129	G025020	SCREW PT WN14-12-KC 40x16 Z	
130	G041914	PLAIN WASHER 6592 69 5.3x10 ZN	
131	G051926	SCREW BRACKET BVA 0009.6 BLACK	
132	G034404	LOW-PROFILE SELF-LOCKING NUT 7474 M 6 ZN	
133	G022805	SCREW TSPE 5933 8.8 M6x16 ZN	
134	S000038006	COMPLETE TILLER AGILE PLUS	
135	S000034011	TILLER PIN GS	
136	G044342	ELASTIC PEG SPIROL 8748 D 6x40	

POSITION	PART NUMBER	DESCRIPTION	NOTES
137	S000038014	COMPLETE BATTERY 12.8 Ah AGILE	
138	S000038015	CHIAVE ACCENSIONE COMPLETA AGILE	

AGILE PLUS 12S4 1150x525 POLY.I-RUBBER+SUPPL.QUICKLIFT
+SUPPL.MOUNTED TILLER - Machine code: EJ741100S00

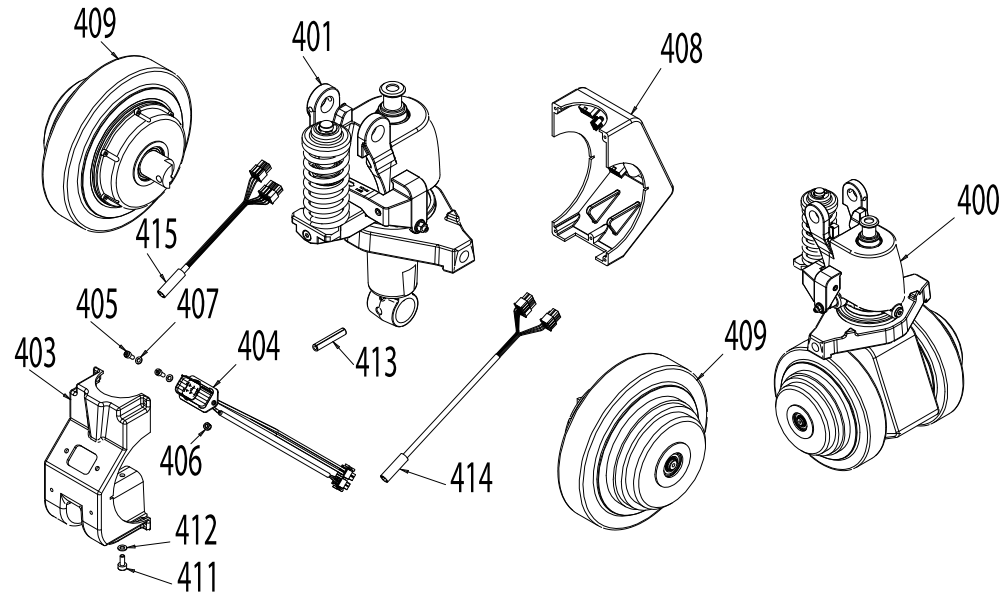
Spare Parts Catalogue AGILE PLUS 12S4 1150x525 POLY.I-RUBBER
+SUPPL.QUICKLIFT+SUPPL.MOUNTED TILLER - Revision: 0 (08/2019)



POSITION	PART NUMBER	DESCRIPTION	NOTES
300	P0PP00017	GRUPPO IDRAULICO GS/AV AGILE 1200 KG	
301	S000038002	MACHINED PUMP BODY BLACK RAL 9005 GS/QL AGILE	
302	S000034007	MACHINED CROSS BLACK RAL 9005 GS	
303	G010220	BEARING 6012 RS(60-95-18)	
304	G042160	OUTER SEEGER 7435 E 60	
305	G016116	BALL 7/32" (mm5,556)	
306	S000038025	RELIEF VALVE SPRING GS AGILE	
307	G022503	SOCKET SET SCREW M10x1 L=8mm ISO 4026 (DIN 913) ESLOK	
308	G087014	CAP M10x1	
309	G087022	CYLINDRICAL HEAD SCREW - HEX SOCKET M8x1 CAP WITH SEAL	
310	G016104	BALL 5/16" (mm7,938)	
311	S000034023	COMPLETE SEALING PROPORTIONAL VALVE GS	
312	S000034003	OPENING PLUNGER SPRING GS	
313	S000034004	CONTROL PLUNGER GS	
314	G095071	O-RING 115 CRC(614DOWTY) 11,91x2,62 IN SILICONE ROSSO	
315	G0P902	CONTROL PEDAL GS	
316	G023102	SCREW STEI 5923 INOX M6x25	
317	G032301	STANDARD NUT 5588 65 CL8 M 6 ZN	
318	G044352	ELASTIC PEG SPIROL MEDIUM DUTY ISO 8750 (DIN 7343) D8x60	
319	G098208	SEAL IN PU 32x40x6.3	
320	G094000	WIPER IN PU 32x40x4	
321	S000034005	ROD GS	
322	S000034028	SPRING-GUIDE CUP GS	
323	G042503	CIRCLIP FOR SHAFTS RS UNI 7434 D12 (DIN 6799)	
324	S000038900	TILLER RETURN SPRING GS AGILE	
325	G094018	WIPER IN NBR+METAL 16x24x3,5	
326	G098200	SEAL IN PU 16x22x5	
327	S000034100	COMPLETE PUMPING CYLINDER GS/AV	

AGILE PLUS 12S4 1150x525 POLY.I-RUBBER+SUPPL.QUICKLIFT
+SUPPL.MOUNTED TILLER - Machine code: EJ741100S00

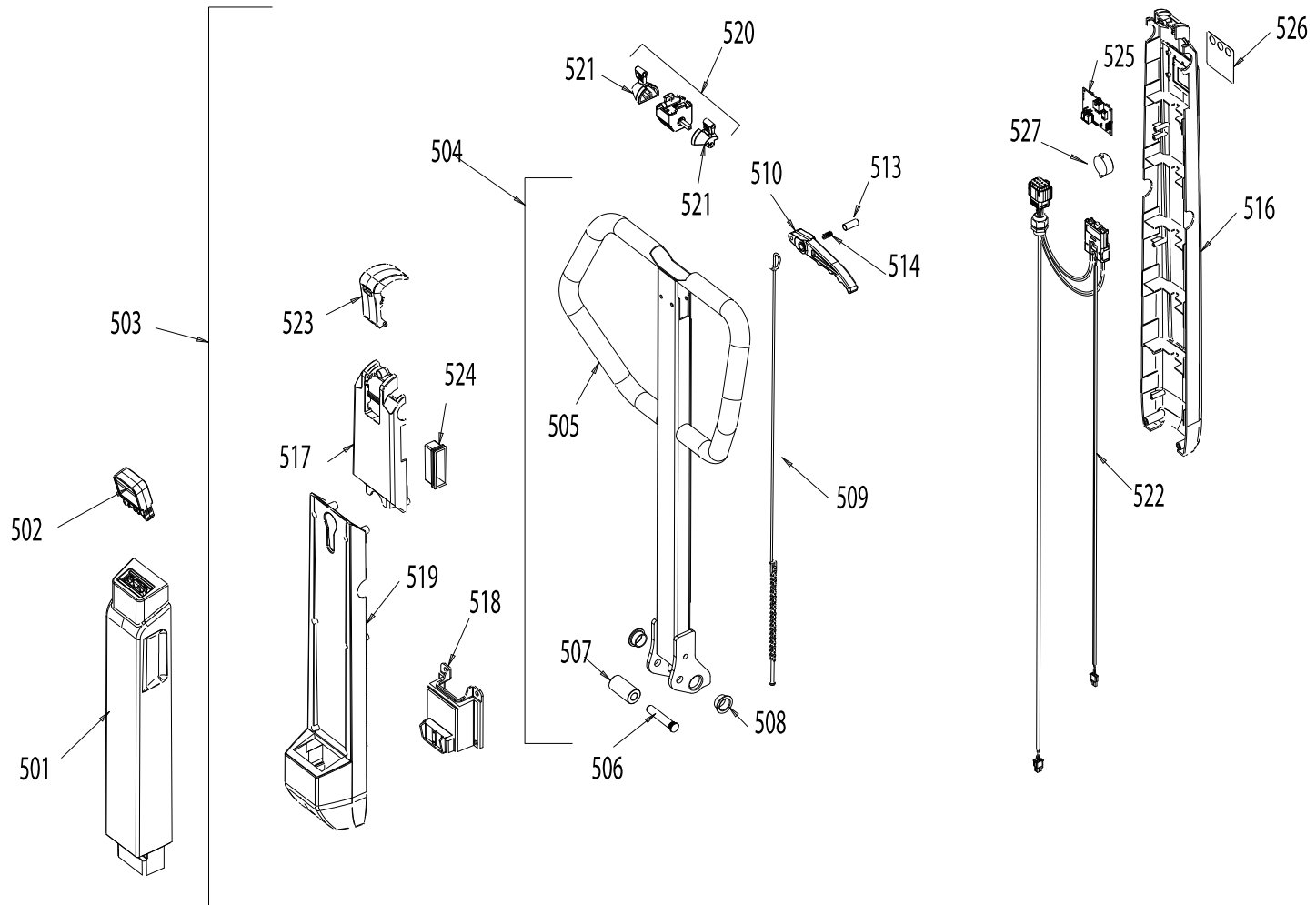
Spare Parts Catalogue AGILE PLUS 12S4 1150x525 POLY.I-RUBBER
+SUPPL.QUICKLIFT+SUPPL.MOUNTED TILLER - Revision: 0 (08/2019)



POSITION	PART NUMBER	DESCRIPTION	NOTES
400	S000038019	COMPLETE HYDRAULIC SET GS/AV AGILE	
401	POPP00017	GRUPPO IDRAULICO GS/AV AGILE 1200 KG	
403	G0P912	GUSCIO ANTERIORE SUPPORTO SCHEDA CONTROLLO MOTORI AGILE	
404	S000038011	MOTOR CONTROL BOARD WIRING AGILE	
405	G020619	ALLEN SCREW 5931-67 8.8 M4x10 ZN	
406	G034411	LOW SELF LOCKING NUT 7474 M 4 ZN	
407	G041906	PLAIN WASHER 6592 4.3x9 ZN	
408	G0P913	GUSCIO POSTERIORE SUPPORTO SCHEDA CONTROLLO MOTORI AGILE	
408	S000038021	REAR COVER SUPPORT CONTROL BOARD AGILE	
408	G07A706	MOTOR DRIVE ELECTRONIC BOARD AGILE	
409	G074477	DRIVE WHEEL 250X 36V RUBBER WHEEL GS AGILE	
411	S000021921	SELF LOCKING HEXAGON SOCKET HEAD CAP SCREW 5931 67 8.8 M5x12 ZN	
412	G041914	PLAIN WASHER 6592 69 5.3x10 ZN	
413	G044353	ELASTIC PEG SPIROL MEDIUM DUTY ISO 8750 (DIN 7343) D8x45	
414	S000038012	CAVO SCHEDA DI TRAZIONE-MOTORE DESTRO AGILE	
415	S000038013	CAVO SCHEDA DI TRAZIONE-MOTORE SINISTRO AGILE	

AGILE PLUS 12S4 1150x525 POLY.I-RUBBER+SUPPL.QUICKLIFT
+SUPPL.MOUNTED TILLER - Machine code: EJ741100S00

Spare Parts Catalogue AGILE PLUS 12S4 1150x525 POLY.I-RUBBER
+SUPPL.QUICKLIFT+SUPPL.MOUNTED TILLER - Revision: 0 (08/2019)



POSITION	PART NUMBER	DESCRIPTION	NOTES
501	S000038014	COMPLETE BATTERY 12.8 Ah AGILE	
502	S000038015	CHIAVE ACCENSIONE COMPLETA AGILE	
503	S000038006	COMPLETE TILLER AGILE PLUS	
504	S000038017	SOTTOASSIEME TIMONIERA AGILE	
505	S000038005	MACHINED TILLER BLACK RAL 9005 GS AGILE	
506	S000034012	PUMPING ROLLER PIN GS	
507	S000034013	PUMPING ROLLER GS	
508	G016306	BOCCOLA AUTOLUB. FLANGIATA DU 20X23X12	
509	S000034008	TIE ROD + CHAIN + PIN GS	
510	S0004018006	LOWERING LEVER PALLET TRUCK GS	
511	G022006	SCREW HEX-HEAD 5739 65 8.8 M6x35 ZN	
512	G034404	LOW-PROFILE SELF-LOCKING NUT 7474 M 6 ZN	
513	S0004036022	LOWERING LEVER SPACER GS	
514	G001126	LOWERING LEVER SPRING GS	
515	G016104	BALL 5/16" (mm7,938)	
516	G0P903	SCOCCA FRONTALE TIMONIERA AGILE	
517	G0P904	SCOCCA POSTERIORE TIMONIERA AGILE	
518	G0P906	SCOCCA SUPPORTO CONNETTORE TIMONIERA AGILE	
519	G0P905	SCOCCA SUPPORTO BATTERIA TIMONIERA AGILE	
520	S000038000	AGILE THROTTLE	
521	G0P910	FARFALLA ACCELERATORE AGILE (BG200004)	
522	S000038010	TILLER WIRING AGILE	
523	G0P909	TASTO EMERGENZA TIMONIERA AGILE	
524	G0P911	CORNICE LEVA TIMONIERA AGILE	
525	G07A707	USER INTERFACE ELECTRONIC BOARD WITH DISPLAY AGILE PLUS	
526	G007763	DISPLAY STICKER AGILE 68x64	
527	S000038902	WIRED HORN AGILE	
528	G006089	LANYARD FOR AGILE IGNITION KEY	