

## Spare Parts Catalogue

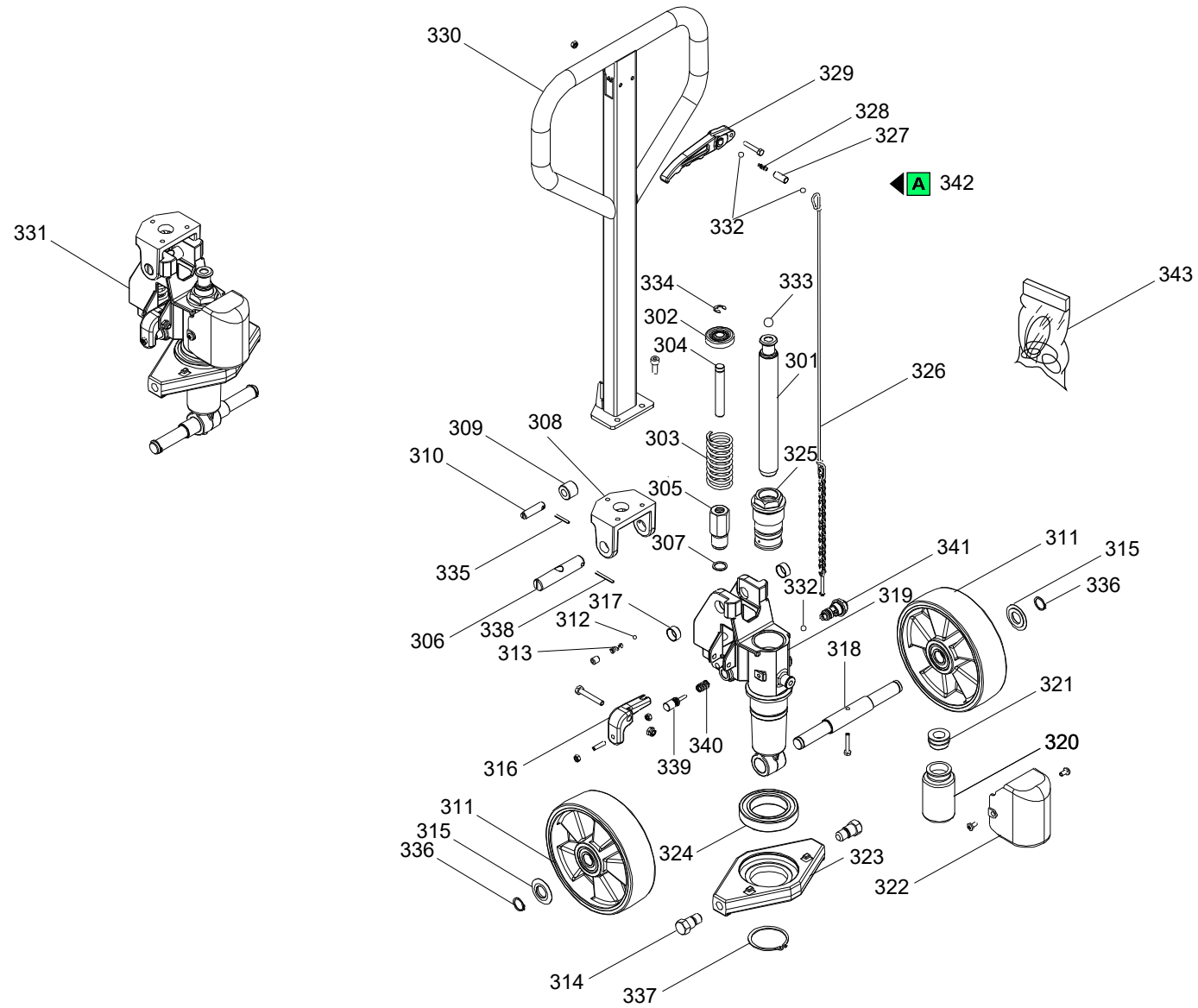
# GS PRO-2008-S2-800X525

Handling systems | Hand pallet trucks

Valid for machine code: GF501000000

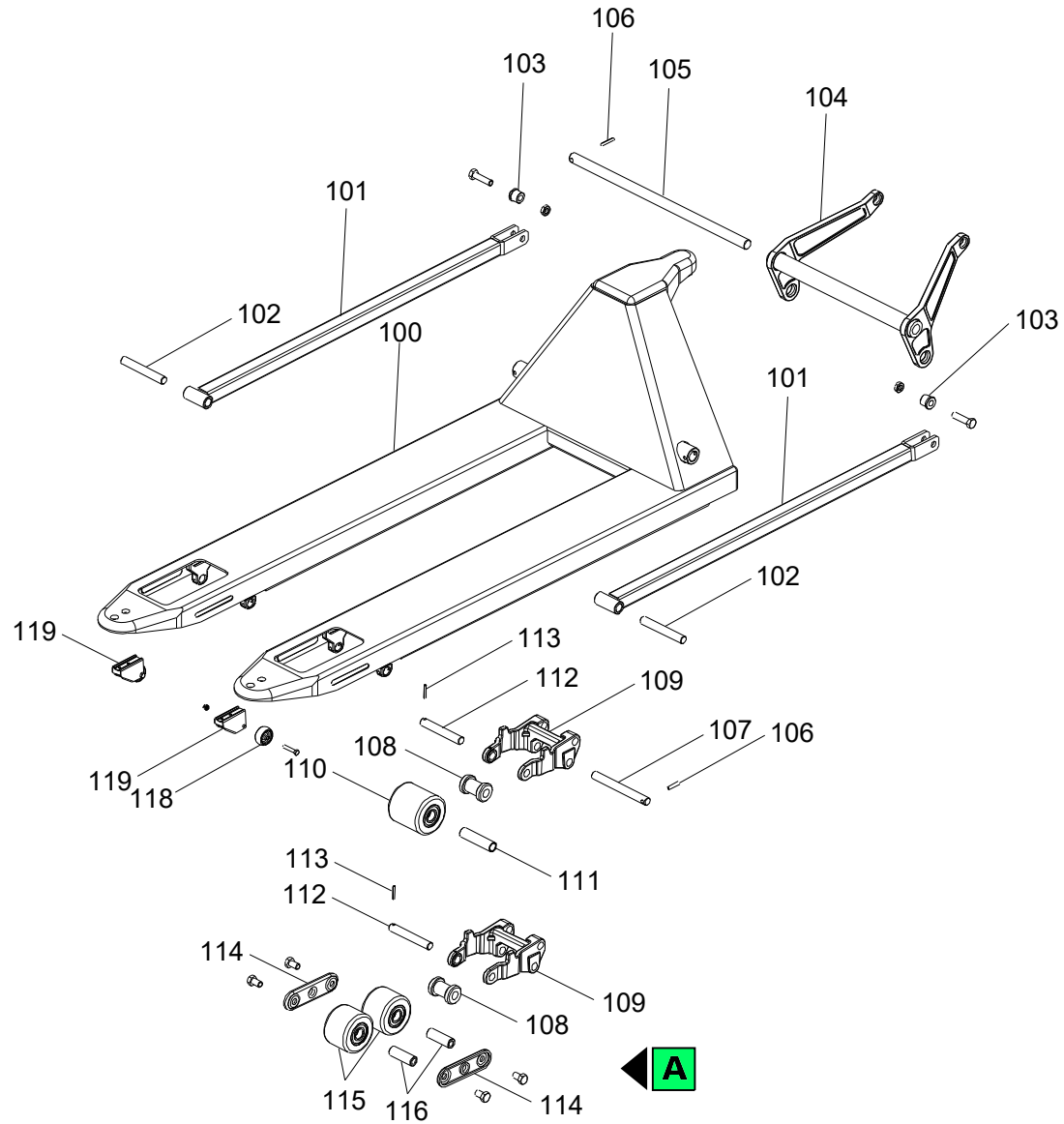
Revision: 0 (2/2009)

Copyright 2019 Pramac Group, All Rights Reserved.



Position	Part Number	Description	Notes
301	S00003502	Piston Gs/global (machined)	-
302	G09007	Spring Slide Cup Gs/usa '99 Lam.zn	-
303	G001103	Spring De42 F.4,5x125 P.15 Grinded-zinc Plated	-
304	S0004013006	Plunger Pump Gs	-
305	S0004010470	Burnished Cylinder Gs-gs/galv Assembled	-
306	S0004013008	Chain Guide Pin (l.98) Burnished	-
307	G096001	Copper Washer 18x23,5x1,5	-
308	S0004011012	Cast Iron Bridge Gs	-
309	S0004013001	Pump-up Roller Tp/gs Burnished	-
310	S0004013002	Pump-up Roller Pin Gs	-
311	S000003061	Wheel Injected Polyurethane/nylon Gray Color D200x55+bearings '07 Gs	-
	S000007047	Wheel White Nylon D200x50 Heavy Duty Version + Sealed Bearings	-
	S0002010169	Rubber Wheel D200 (model No. Ea200bh-65a Lifter)+bearing	-
	S0004010186	Nylon Wheel D200 With Bearings	-
	S0014010233	Polyurethane Wheel /all D200x50 Lag + Bearings 6204	-
312	G016116	Ball 7/32" (mm5,556)	-
313	G001104	Spring De8 F.1,7x22 P.3,5 Grinded	-
314	S0004015007	Cross Screw Zinc Plated Gs	-
315	G091101	Wheel Dustguard Tp 47x20 Sp3.9 Tellure	-
316	S000003901	Opening Spill Pedal '07 Gs	-
317	S0004018002	Body Pump Bushing Gs (20x22x10)	-
318	S0004015015	Wheel Axle Gs/hl10e	-
319	P0PP00006	New Code S000003106	-
320	S0004018003	Oil Tank Pallet Truck Gs	-
321	S0004018001	Oil Tank Cap Pallet Truck Gs	-
322	S0004018005	Tank Protection Gs (short)	-
323	S000003109	Cross Gs '09 Black Ral 9005 Machined	-
324	G010220	Bearing 6012 Rs(60-95-18)	-
325	S0004011024	Cast Iron Bushing Gs (machined)	-
326	P0TT00001	Complete Tie-rod With Handle Lever Gs (ø3.3	-
327	S0004036022	Lowering Lever Spacer Gs	-
328	G001126	Lowering Lever Spring Gs	-
329	S0004018006	Lowering Lever Pallet Truck Gs	-
330	S0004030215	Pump Handle Gs (painted )	-
331	▲ S000003019	Hydr. Assembly Gsgs Usa '02 25q + Rubber Wheels	Valid for products manufactured until 28/06/2012
	▲ S000002024	Hydraulic Assembly Gs-gs Usa '07 25q.li.+ Poly I./nylon Gray D200x55 Wheels	Valid for products manufactured from 28/06/2012 to 15/04/2015
	▲ S000022029	Hydraulic Set Gs Pro-gs Pesa '15 25q + Poly I./nylon Grey D200x55 Wheels	Valid for products manufactured from 15/04/2015

Position	Part Number	Description	Notes
332	G016104	Ball 5/16" (mm7,938)	-
333	G016103	Ball 9/16" (mm14,288) Ball 2	-
334	G042501	Locker Ring Rs 7434 D10	-
335	G044319	Elastic Peg Spirol 8748 D4x30	-
336	G042120	Outer Seeger 7435 E 20	-
337	G042160	Outer Seeger 7435 E 60	-
338	G044318	Elastic Peg Spirol 8748 D 4x40	-
339	▲ P3VA00001	Slot Pin Gs '02 Complete (spare Part)	Valid for products with serial numbers until HLI0175024
	▲ P3VA00007	Kit Spillo Apertura + Molla Gs-av	Valid for products with serial numbers from HLI0175024
340	▲ G001102	Pedal Return Spring	Valid for products with serial numbers until HLI0175024
	▲ S000003900	Opening Plunger Spring Gs '15	Valid for products with serial numbers from HLI0175024
341	▲ S0004010036	Complete No Return Valve Gs (spare Part)	Valid for products with serial numbers until HLI0175024
	▲ S000010074	Complete No Return Valve Gs '11	Valid for products with serial numbers from HLI0175024 to HLI0358989
	▲ S000051001	Complete Sealing Valve Proportional Gs '16	Valid for products with serial numbers from HLI0358989
342	S0004030243	Pump Handle Gs Basic '08	-
343	P0KI00003	Gasket Set Gs '02 Gs/av	-



Position	Part Number	Description	Notes
100	V0001010210-PRAMAC	Telaio Gs 800x525 Vern.verde Pramac	-
101	S0002220522	Push Rod Gs'01 L=800 Painted	-
102	S0002205038	Pin D16x113 Gs	-
103	S0003005055	Push Rod Internalfork Bushing Ck Zinc	-
104	V000003039-9005	Painted Rocker Arm Gs 12 L=525	-
105	S0003015038	Rocker Arm Axle Gs 520	-
106	G044304	Elastic Peg 6873 D 6x32	-
107	S0002205040	Reference Pin Gs	-
108	G056104	Exit Nylon Roller D38 Gs	-
109	S0002201027	Double Clevis Gs (machined)	-
110	S0002010131	Nylon Roller D82x82 + Bearing	-
	S0112020093	Polyurethane Roller D82x80 + Bearings	-
111	S0002206023	Single Roller Spacer Gs	-
112	S0002205039	Tandem Connection Pin Gs	-
113	G044319	Elastic Peg Spirol 8748 D4x30	-
114	S000003005	Rocker Tandem Gs'01 Zinc Plated	-
115	S0002010132	Nylon Roller D82x60 + Bearing	-
	S0012050170	Injected Polyurethane Roller D82x60 + Bearings	-
116	S0012035029	Tandem Roller Spacer Gs	-
117	S0012030177	Complete Rollers Tandem Nylon Gs	-
	S0012030178	Complete Rollers Tandem Injected Polyurethane Gs	-
118	G056103	Entry Roller Fork Tp/e-gs	-
119	G09660	Entry Roller Bracket '07 Gs	-