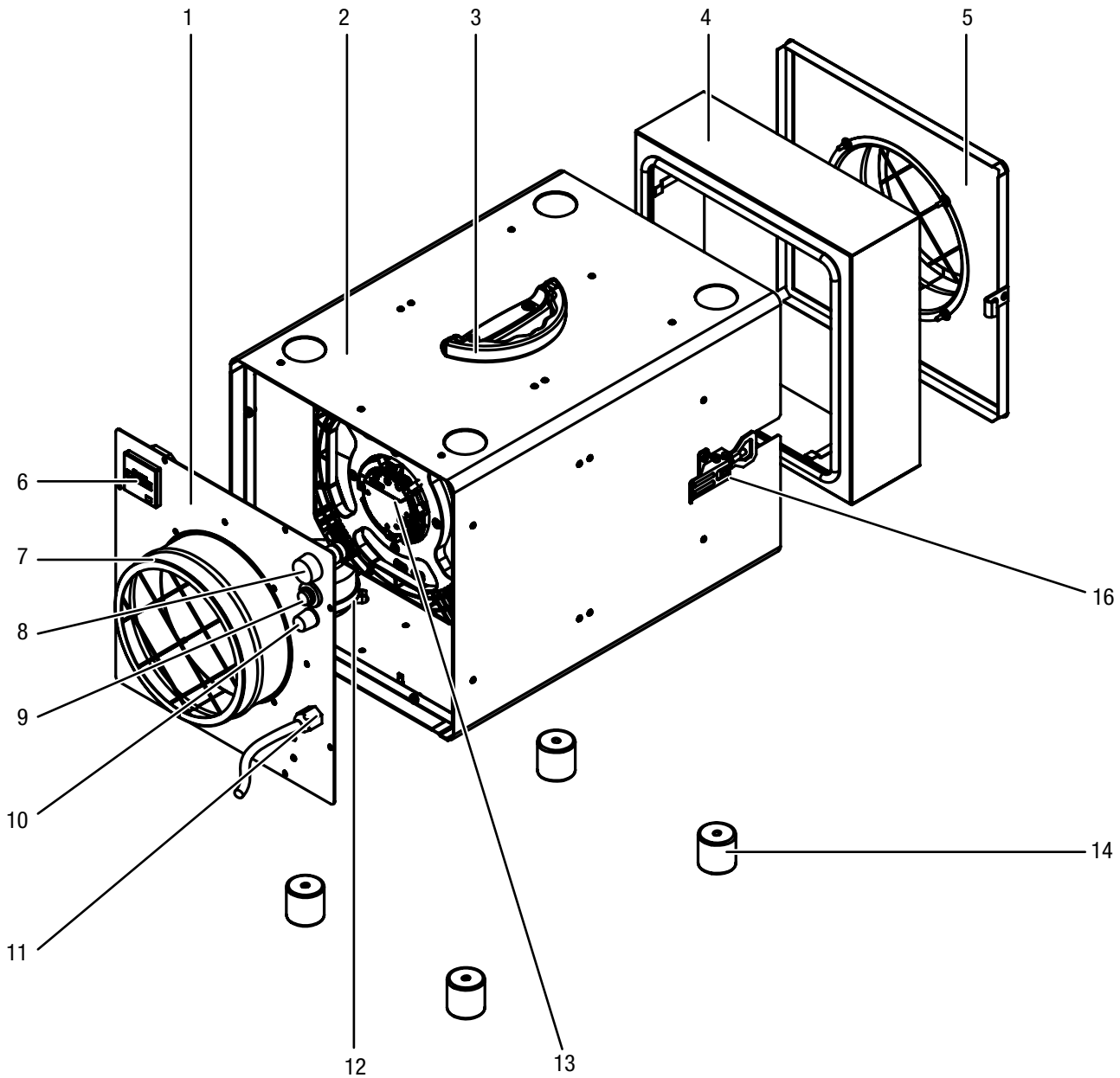


**Spare parts drawing and list**



**Info**

The position numbers of the spare parts differ from those describing the positions of the components mentioned in these instructions.



No.	Designation	Article number	No.	Designation	Article number
1	Front panel – outlet	P10006572	9	On/off switch	P10001376
2	Basic housing	P10006574	10	Air volume controller	P10001249, P10001250
3	Hinged handle	P10001246	11	Cable gland	P10001247, P10001248
4	Filter frame	P10006575	12	Load cell	P10001545
5	Front panel – inlet	P10006573	13	Fan	P10000535
6	Operating hours counter	P10001137	14	Rubber foot	P10005190
7	Spigot	B1114	16	Tension lock with clamp	P10006576
8	LED signal	P10000755			